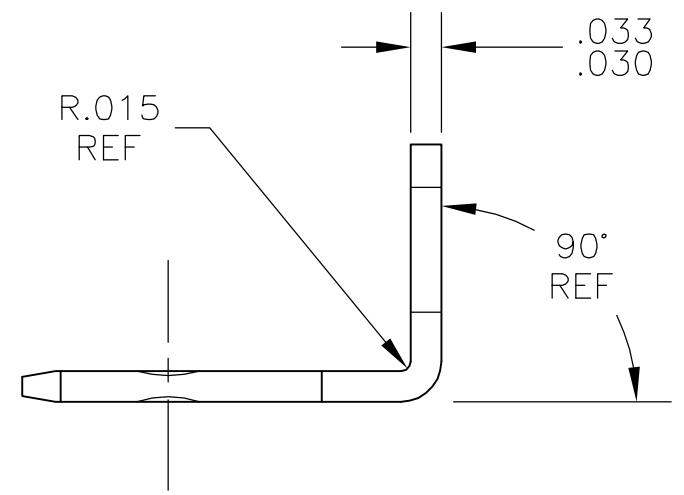
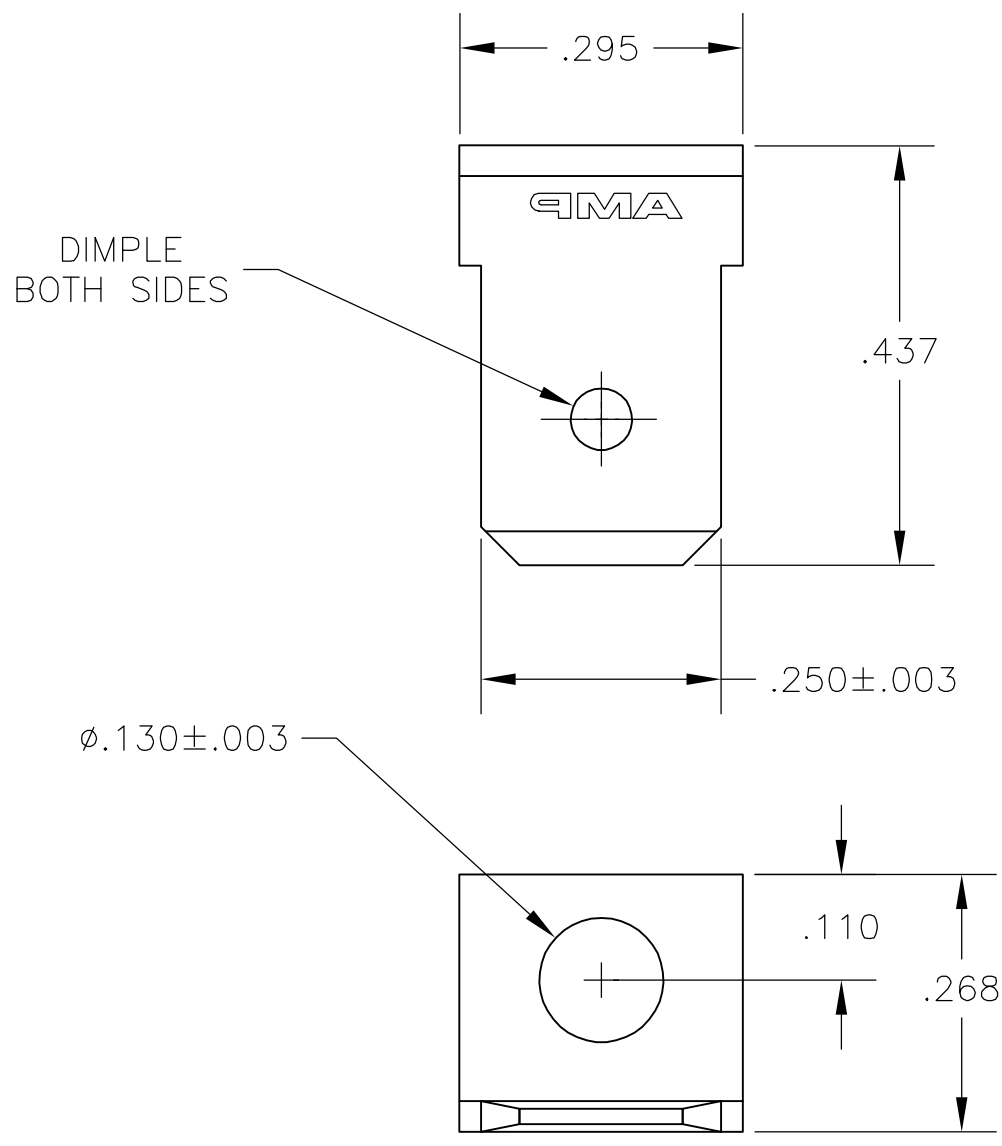


THIS DRAWING IS UNPUBLISHED. RELEASED FOR PUBLICATION
 © COPYRIGHT BY TYCO ELECTRONICS CORPORATION. ALL RIGHTS RESERVED.

LOC	DIST	REVISIONS			
P	LTR	DESCRIPTION	DATE	DWN	APVD
	F	REV PER ECR-05-017287	06APR06	HMR	JR



obsolete	TIN	42117-2
	NONE	42117-1
	FINISH	PART NO

THIS DRAWING IS A CONTROLLED DOCUMENT.		DWN jr_ruth 26JUL04	Tyco Electronics Corporation Harrisburg, PA 17105-3608	
DIMENSIONS: INCHES		CHK KRISTY YI 26JUL04		
		APVD KRISTY YI 26JUL04	NAME TAB, FASTON, .250 SERIES	
TOLERANCES UNLESS OTHERWISE SPECIFIED:		PRODUCT SPEC	RESTRICTED TO	
0 PLC ± - 1 PLC ± - 2 PLC ± - 3 PLC ± .015 4 PLC ± - ANGLES ± -		APPLICATION SPEC	SIZE A3	CAGE CODE 00779
MATERIAL 082 BRASS	FINISH SEE TABLE	WEIGHT -	DRAWING NO C-42117	SCALE 5:1
CUSTOMER DRAWING			SHEET 1 OF 1	REV F