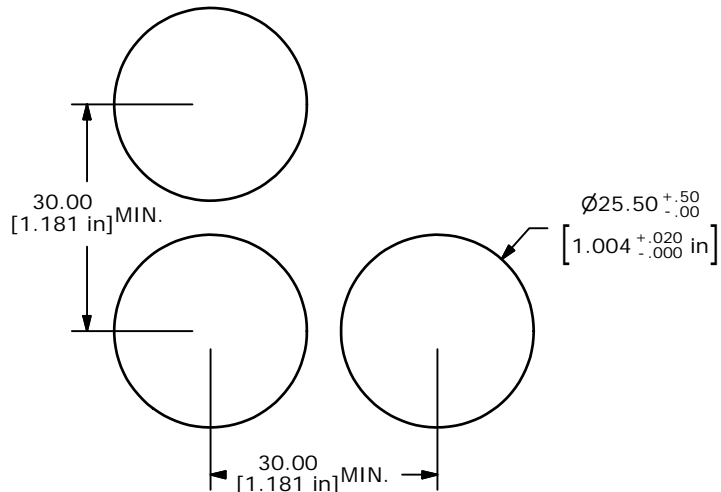
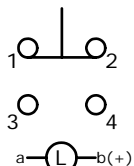


▲ Parts List

ITEM	QTY	PART NUMBER	DESCRIPTION
1	1	F060602	LASEEV110
2	1	F060204	25 MM RED LENS
3	1	F051705	30MM FLUSH MOUNT RETAINER
4	1	F051704	30MM FLUSH MOUNT BEZEL
5	1	F050402	50-004-02 (lamp)



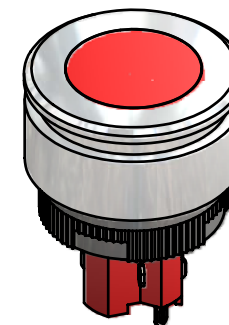
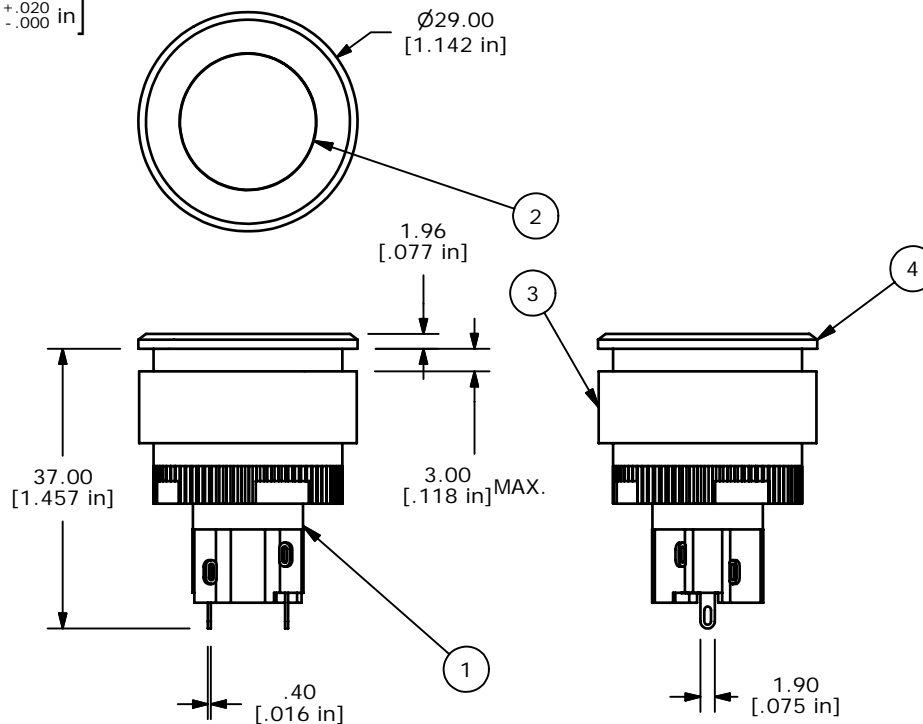
RECOMMEND PANEL MOUNTING



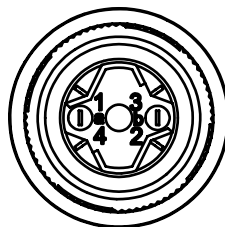
▲ SPDT
CONTACT CONFIGURATION

NOTES:

1. ALL DIMENSIONS IN MM [INCH].
2. GENERAL TOLERANCE: 0.0±0.4
0.00±0.25
3. TERM. NOS. FOR REF. ONLY.
4. RATING: 5A @250VAC
8A @125VAC
.2A @250VDC
6A @24VDC
5. INSULATION: 1,000 MΩ MIN.
6. DIELECTRIC STRENGTH: 2000V FOR 1 MIN.
7. SEALED TO IP65.
8. TRAVEL: 3.0MM FULL TRAVEL, 2.0MM LATCH
9. ELECTRICAL LIFE: >50,000 CYCLES
10. OPERATING TEMP: -25C TO +55C
11. PANEL THICKNESS: 0.5MM TO 3.0MM
- ▲12. LAMP VOLTAGE: INCANDESCENT 6VAC/DC, 200mA
- 13▲ DENOTES CRITICAL PARAMETER.



ISOMETRIC



REV	PCR NO	DESCRIPTION	DATE	BY
B	16484	29.00 TO 30.00, 36.5 TO 37.00	9/22/2006	TN
A	16308	NEW RELEASE	8/14/06	RC

TITLE LASEEV31ARED				
SCALE 1:1	DATE 8/14/2006	DR RC	DWG XF0683P	REV B

THE INFORMATION CONTAINED IN THIS DOCUMENT IS PROPRIETARY TO E-SWITCH AND IS NOT TO BE COPIED OR TRANSFERRED