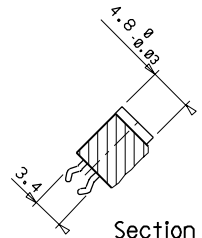
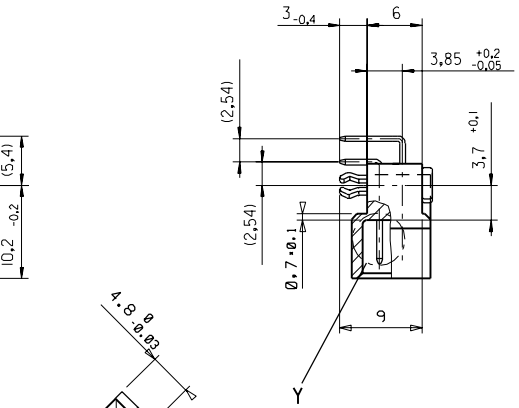
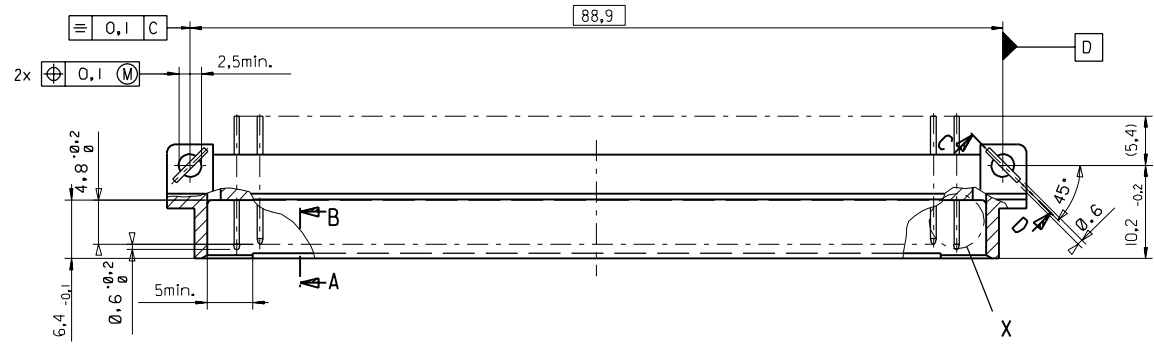
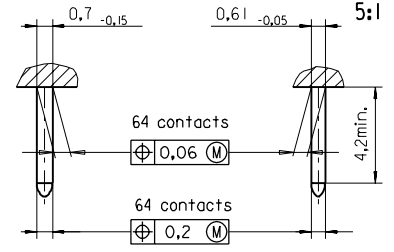
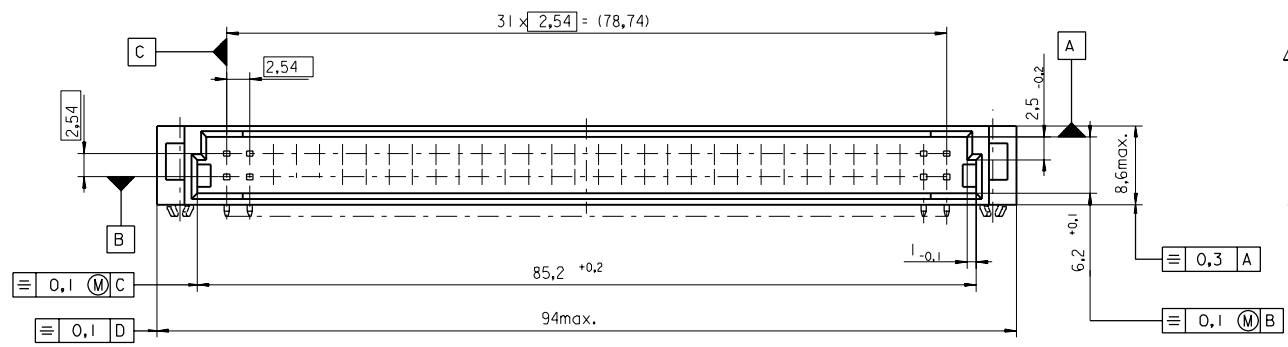


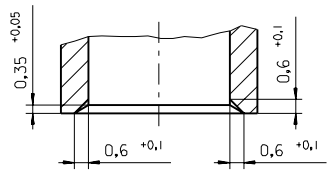
PART NO.
DWG. NO.

View X
5:1
View Y
5:1



Section C - D

Section A - B
5:1



FIRST ANGLE PROJECTION		REVISE ONLY ON CAD SYSTEM		SH.	REV.
first release see ECN No. 1887	REVISIONS FOR PREVIOUS REVISIONS SEE MRI LIST	DRWG BY	SIGN	CAD/CAM PROJECT NAME 85001000 811	
		CHK'D BY	SIGN	THIS DRAWING CONTAINS INFORMATION THAT IS PROPRIETARY TO MOLEX INC. & SHOULD NOT BE USED WITHOUT WRITTEN PERMISSION	
A	LTR	APP'D BY	SIGN	TITLE 64 pos. Male connector acc. DIN 41612 style B Dimensions	
UNLESS OTHERWISE SPECIFIED TOLERANCES: ANGULAR ±2°		SCALE	2:1	SHEET NO. DATE 1 OF 95/06/06	
INCH METRIC				MOLEX MOLEX EUROPE	
3 PLACE ± . ±				PART NO. DWG NO. SIZE	
2 PLACE ± . ±				SDA-85001-0001 B	
1 PLACE ± . ±					
DRAFT WHERE APPLICABLE MUST REMAIN WITHIN DIMENSIONS					
DESIGN DIMENSION <input checked="" type="checkbox"/> MM					
EQUIVALENT DIMENSION <input type="checkbox"/> MM					
IF TWO DIMENSIONS ARE SHOWN THE UPPER IS THE DESIGN DIMENSION, LOWER IS SECONDARY					

VIEW ON MATING SIDE

∞	B	B	B	B	B	B	B	B	B	B	B	B	B	B	B	B
◁	A	A	A	A	A	A	A	A	A	A	A	A	A	A	A	A

A = 16 STANDARD CONTACTS L=3

B = 16 STANDARD CONTACTS L=3

S = 32 TOTAL NUMBER OF CONTACTS

Marking	Standard
Performance level	G2/0 = Contact area level2 / Termination tin
Flux proof	no
Fixing clip	no
Dimensions	SDA-85001-0001 sht.1
Technical Data	PS-85003-0001

B	G2/0	b2,4,6,8,10,12,14,16,18,20,22,24,26,28,30,32
A	G2/0	a2,4,6,8,10,12,14,16,18,20,22,24,26,28,30,32
Contact symbol	Perform. level	Contact position number

C	see ECN No. 2204	96/07/18 Cd
	REVISIONS	
LTR	FOR PREVIOUS REVISIONS SEE MRI LIST	

UNLESS OTHERWISE SPECIFIED TOLERANCES: ANGULAR ± 2°	DRWG BY	SIGN
INCH	Cd	
3 PLACE ± .	CHK'D BY	SIGN
2 PLACE ± .	KN	
1 PLACE ± .	APP'D BY	SIGN
DRAFT WHERE APPLICABLE MUST REMAIN WITHIN DIMENSIONS	SCALE	
DESIGN DIMENSION	<input type="checkbox"/> MM	
	<input type="checkbox"/> IN.	
EQUIVALENT DIMENSION	<input type="checkbox"/> MM	
	<input type="checkbox"/> IN.	
IF TWO DIMENSIONS ARE SHOWN, THE UPPER IS THE DESIGN DIMENSION, LOWER IS SECONDARY		

REVISE ONLY ON CAD SYSTEM	SH. REV.
CAD/CAM PROJECT NAME	THIS DRAWING CONTAINS PROPRIETARY TO MOLEX INC. & SHOULD NOT BE USED WITHOUT WRITTEN PERMISSION
s8500100	s51
TITLE	
64 pos. Male connector acc. DIN 41612 style B contacts arrangement	
SHEET NO.	DATE
1 OF 1	95/05/23
PART NO.	
85001-0050	
DWG NO.	
SDA-85001-0050	
SIZE	
A	