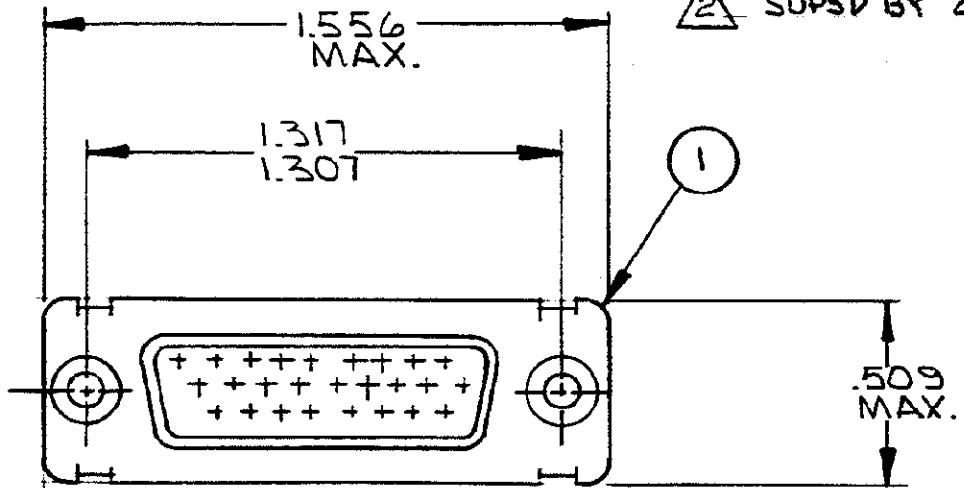


© 1971 BY AMP INCORPORATED. ALL RIGHTS RESERVED. AMP PRODUCTS COVERED BY PATENTS AND/OR PATENTS PENDING.

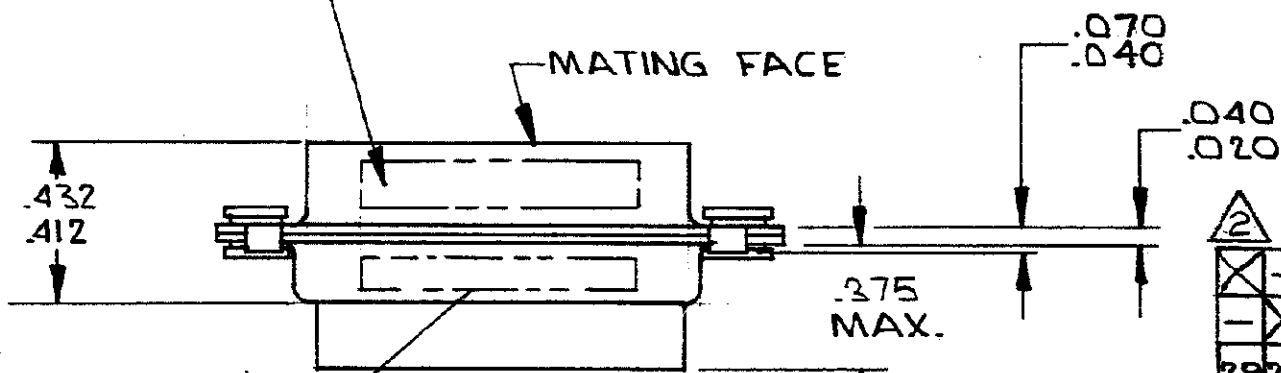
REVISIONS				
ZONE	LTR	DESCRIPTION	DATE	APPROVED
	A	ITEM 2 WAS 91054-1 . ECN G878	3/19/74	JGR
	B	REV. PER ECN D-105	7/11/74	J
	C	REV PER ECN DF-0021:DF-0160 & R2670	11-19-83	EAM
	D	ECO-08-023688	PY 11-08	BW

Unpublished copy not to be reproduced nor published without written permission of AMP Incorporated

- 1. APPROPRIATE MILITARY P/N (KIT) IS MARKED ON PACKAGE
- 2. SUPSD BY 204539-2 & 91067-1



MFG'S NAME, BRAND OR LOGO AND DATE CODE MARKED NEAR SIDE



MIL P/N M24308/4-308 F MARKED FAR SIDE

<input checked="" type="checkbox"/>	-	-	MILITARY P/N M24308/4-319F. MARKED ON PACKAGE		
<input checked="" type="checkbox"/>	-	-	MILITARY P/N M24308/4-308F. MARKED ON PACKAGE		
7979	-	B	204370-2	CONTACT, PIN, SIZE 22D	3
1	-	B	91067-1	INSERTION / EXTRACTION TOOL	2
1	1	C	204527-1	PLUG ASSY, SIZE #2	1
-3	-2	-1	DWG. SIZE	NUMBER	NAME
					ITEM NO.

204539 204539 204539	UNLESS OTHERWISE SPECIFIED DIMENSIONS ARE IN INCHES TOLERANCES ON: DECIMALS .# # ANGLES .# #	CONTRACT NO.	AMP INCORPORATED HARRISBURG, PENNSYLVANIA		
	MATERIAL #	DR. <i>R.P. Matthew 7-15/71</i>			
		APPR. <i>D. Boer 7-20-71</i>	NAME KIT, "HDD" SERIES, PLUG, SIZE #2 WITH FLOATING BUSHINGS		
		REV. <i>R. Holliday 7/29/71</i>	SIZE B	CODE IDENT NO. 00779	NUMBER 204539
		DSGN APPR.	SCALE #		REV D
		OTHER APPR.			SHEET 1 OF 1