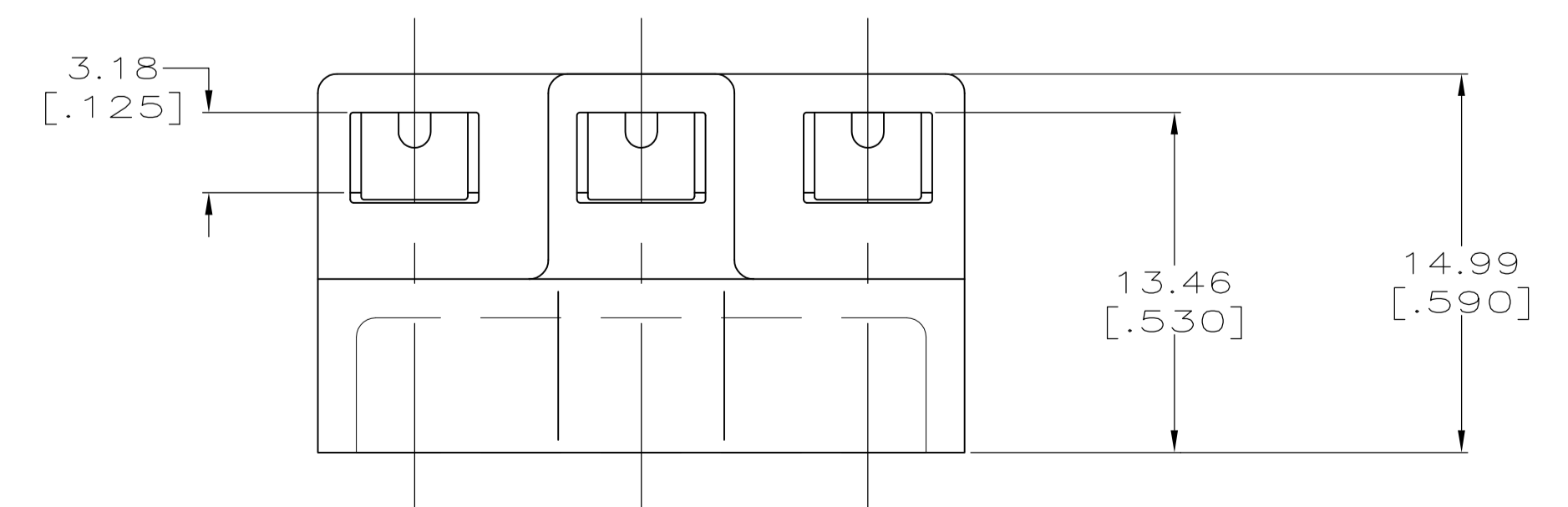
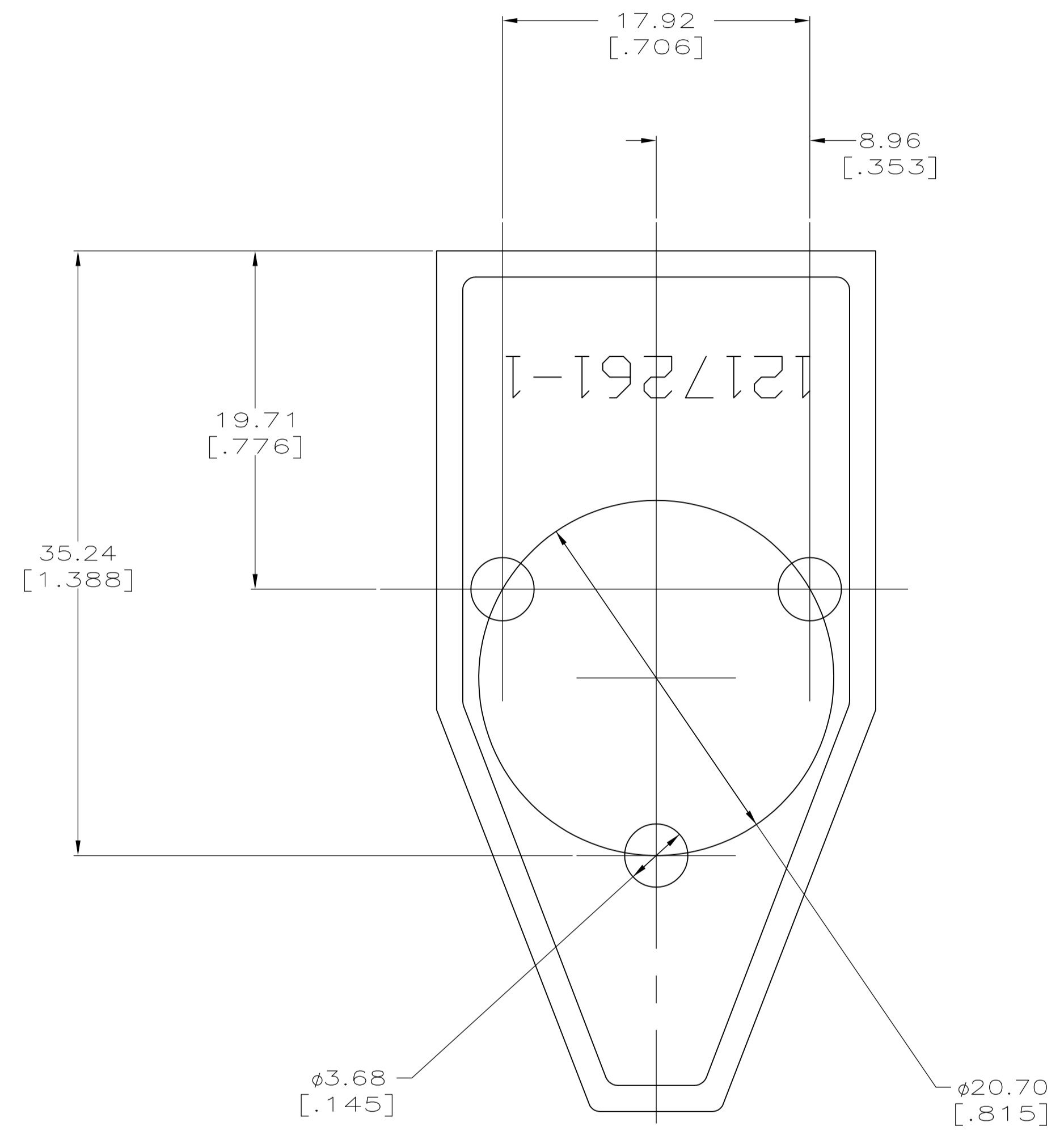
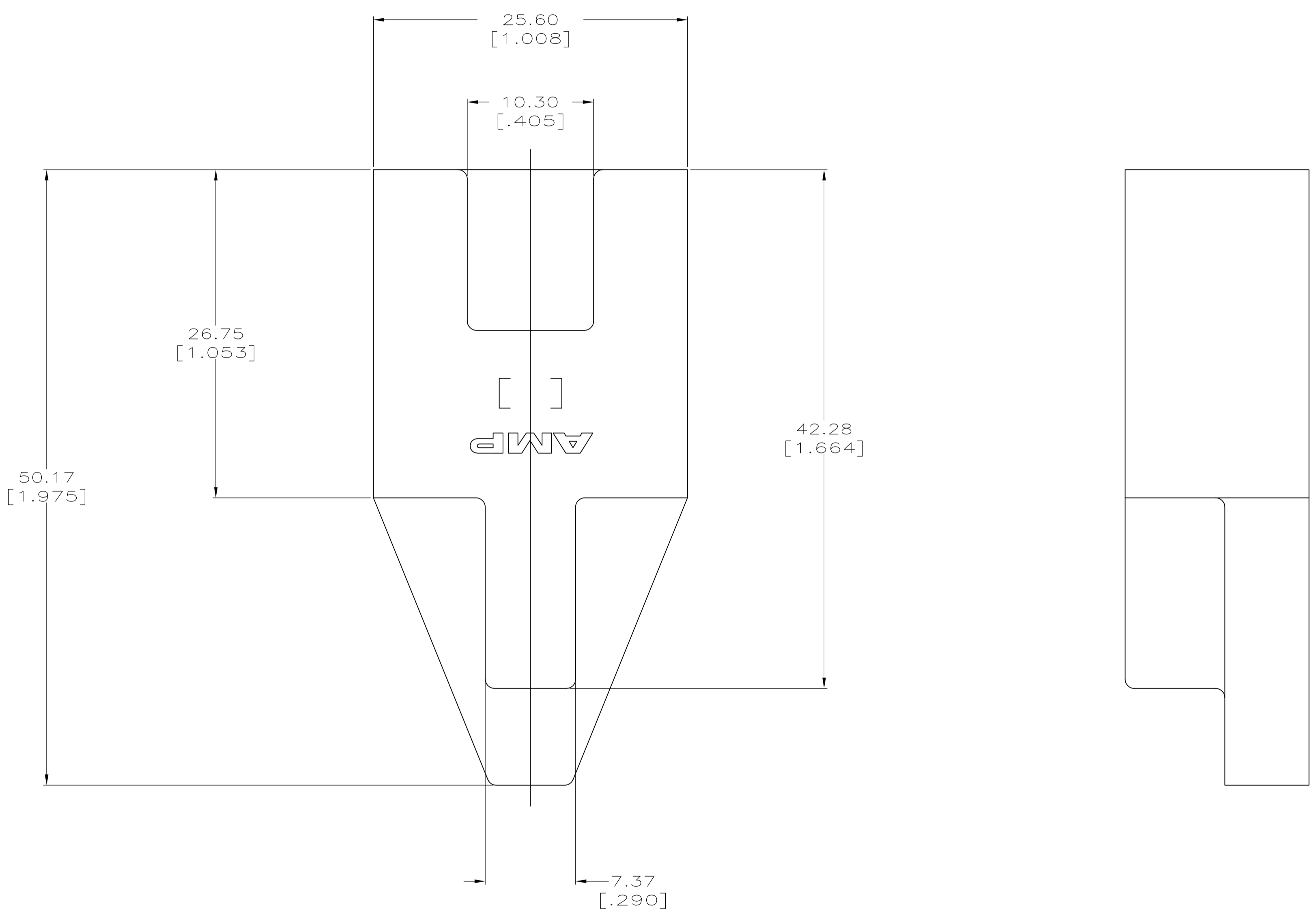


1 HOUSING ACCEPTS 3.18 [.125] DIA CLUSTER BLOCK PIN RECEPTACLES.



1217261-1  
PART NUMBER

THIS DRAWING IS A CONTROLLED DOCUMENT.		DIN MICHAEL S. FEHER 02NOV1999	Tyco Electronics Corporation Tyco Electronics Corporation Harrisburg, PA 17105	
DIMENSIONS: MM [INCHES]		CHK PETE DESANTIS 12NOV1999	NAME HOUSING, CLUSTER BLOCK, 3.18 [.125] DIA	
TOLERANCES UNLESS OTHERWISE SPECIFIED:		APVD PETE DESANTIS 12NOV1999	RESTRICTED TO	
0. PLC ± -	1. PLC ± -	PRODUCT SPEC 108-2008	SIZE CAGE CODE DRAWING NO	
2. PLC ± 0.25[.010]	3. PLC ± -	APPLICATION SPEC 114-2019	A1 00779 C=1217261	
4. PLC ± -	ANGLES ± -	WEIGHT -	CUSTOMER DRAWING	
MATERIAL PBT UNFILLED	FINISH NATURAL	SCALE 4:1		SHEET 1 OF 1 REV E