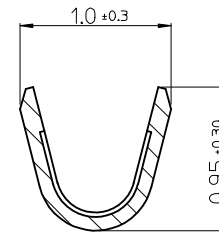
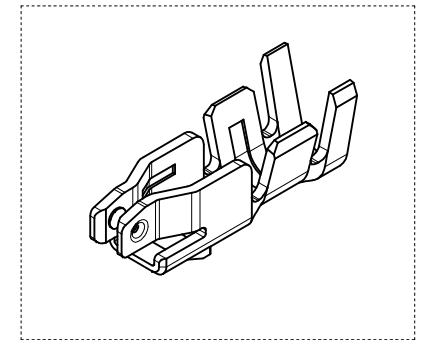


SECTION X-X

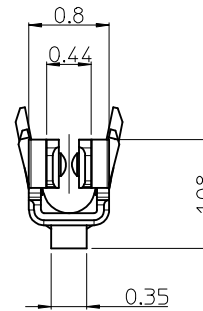
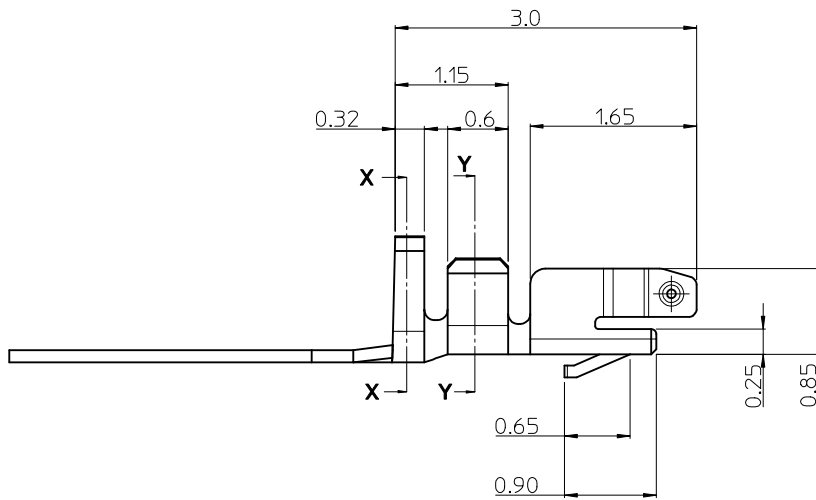


SECTION Y-Y



NOTES.

- ① 1. APPLICABLE HOUSING : 104128-0400/0500/0610/0620
104142-1000
- 2. MATERIAL : PHOSPHOR BRONZE, 0.12mm THICKNESS
PRE-TIN PLATED
0.8 μm MINIMUM, TIN (Sn) OVER
0.3 μm MINIMUM, COPPER
- 3. APPLICABLE WIRE RANGE : AWG#30~AWG#32
- 4. PACKAGING SPECIFICATION : PK-104539-001



ORDER NO 104539-8002

| | |
|----------------|---------------------|
| REVISED | EC NO: KOR2014-0105 |
| | 2014/12/12 |
| DRWN: SCHONG03 | 2014/12/12 |
| CHKD: SHCHU | |
| APPR: YSKI1M02 | 2014/12/24 |

| REV | DESCRIPTION |
|-----|-----------------|
| ▽=0 | QUALITY SYMBOLS |
| ⊕=0 | |

| | |
|--|--------------|
| GENERAL TOLERANCES (UNLESS SPECIFIED) | |
| | mm INCH |
| 4 PLACES | ± --- ± --- |
| 3 PLACES | ± --- ± --- |
| 2 PLACES | ± 0.15 ± --- |
| 1 PLACE | ± 0.2 ± --- |
| ANGULAR ± ---° | |
| DRAFT WHERE APPLICABLE MUST REMAIN WITHIN DIMENSIONS | |

| | |
|-----------------|------------|
| DIMENSION STYLE | |
| MM ONLY | |
| DRAWN BY | DATE |
| JHPARK01 | 2011/07/25 |
| CHECKED BY | DATE |
| SH. CHU | 2011/07/25 |
| APPROVED BY | DATE |
| YUNSIKKIM | 2011/09/21 |
| MATERIAL NO. | |
| 1045398002 | |

| | | |
|---|--------------|------------------------|
| SCALE | DESIGN UNITS | THIRD ANGLE PROJECTION |
| 20:1 | METRIC | ⊕ □ |
| TITLE | | |
| 1.0/1.25MM WTB CONN. RECEPTACLE TERMINAL | | |
| MOLEX INCORPORATED | | SHEET NO. |
| DOCUMENT NO. | | 1 OF 1 |
| SD-104539-001 | | |
| THIS DRAWING CONTAINS INFORMATION THAT IS PROPRIETARY TO MOLEX INCORPORATED AND SHOULD NOT BE USED WITHOUT WRITTEN PERMISSION | | |