

# Potentiometer Board™

## Manual

*All Mikroelektronika's development systems feature a large number of peripheral modules expanding microcontroller's range of application and making the process of program testing easier. In addition to these modules, it is also possible to use numerous additional modules linked to the development system through the I/O port connectors. Some of these additional modules can operate as stand-alone devices without being connected to the microcontroller.*

# Additional Board

 **MikroElektronika**

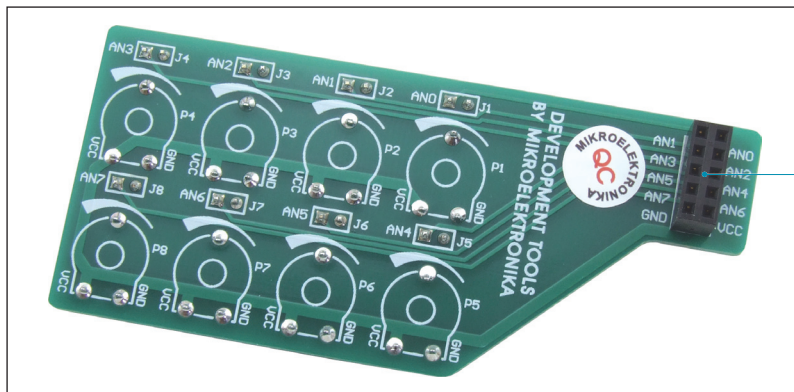
SOFTWARE AND HARDWARE SOLUTIONS FOR EMBEDDED WORLD ...making it simple

## Potentiometer Board

The *Potentiometer board* is used for testing analog inputs of the microcontroller supplied on a development system. The board features eight 10K potentiometers with related jumpers. Connection between the additional board and a development system is established via a 2x5 connector on the additional board and a 2x5 connector on a development system's port which has analog pins. Potentiometers supplied on the additional board are used to adjust voltage levels on the microcontroller's analog pins. Maximum voltage level depends on the development system connected to the additional board and can be either 5V or 3.3V. In case some of the potentiometers is not used, it is necessary to remove the appropriate jumper (J1-J8).



Figure 1: Potentiometer board



2x5 female connector used for connection with development systems

Figure 2: Back of the Potentiometer board

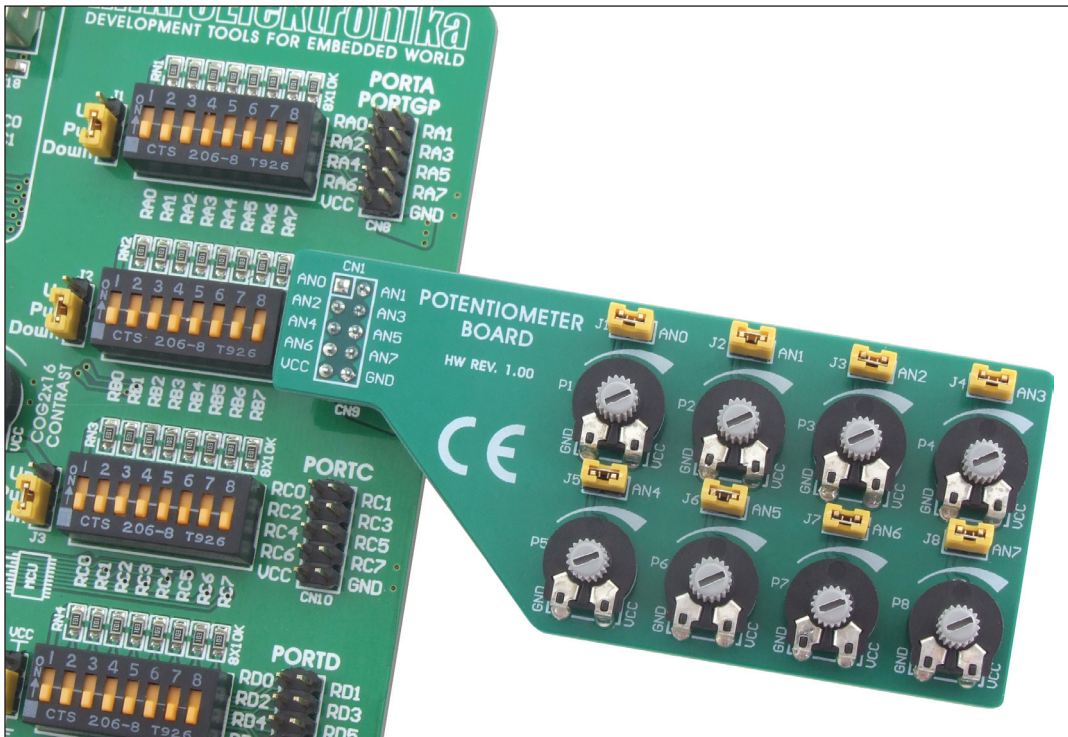


Figure 3: Potentiometer board connected to a development system

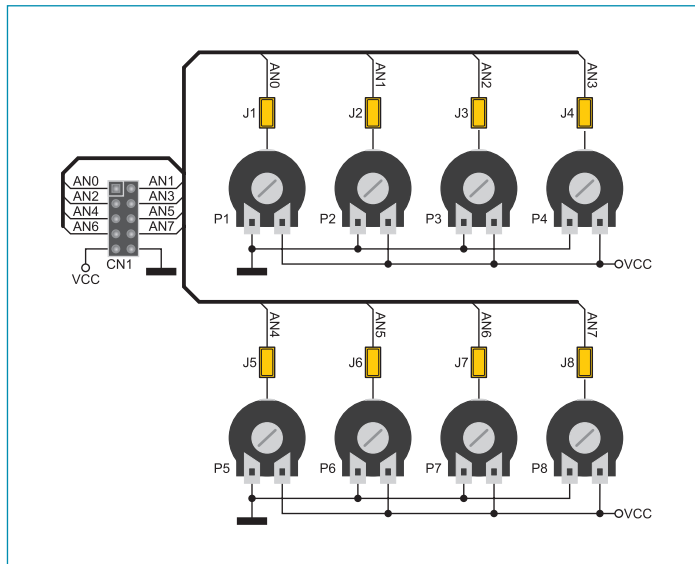


Figure 4: Potentiometer board connection schematic



**MikroElektronika**  
SOFTWARE AND HARDWARE SOLUTIONS FOR EMBEDDED WORLD ...making it simple

If you want to learn more about our products, please visit our website at [www.mikroe.com](http://www.mikroe.com)

If you are experiencing some problems with any of our products or just need additional information, please place your ticket at [www.mikroe.com/en/support](http://www.mikroe.com/en/support)

If you have any questions, comments or business proposals, do not hesitate to contact us at [office@mikroe.com](mailto:office@mikroe.com)