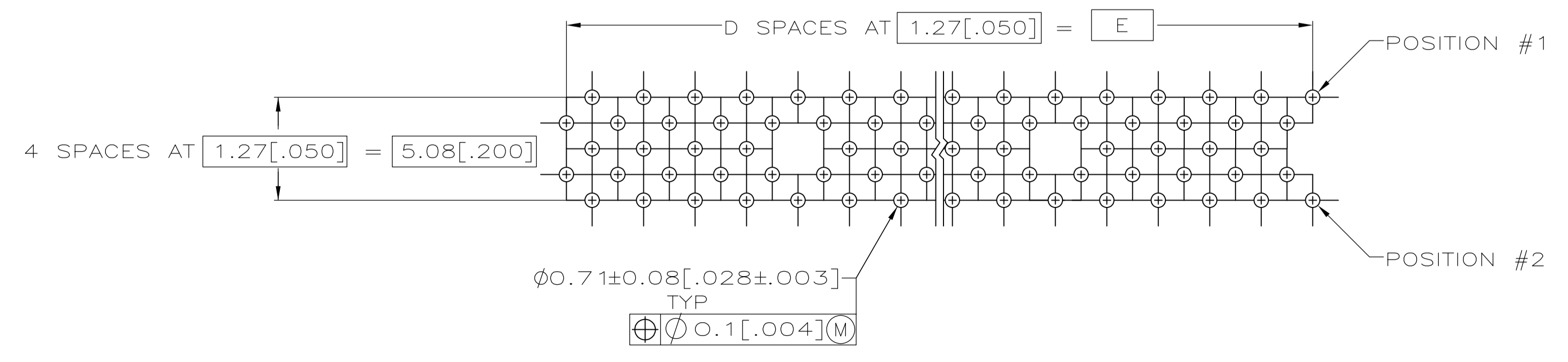
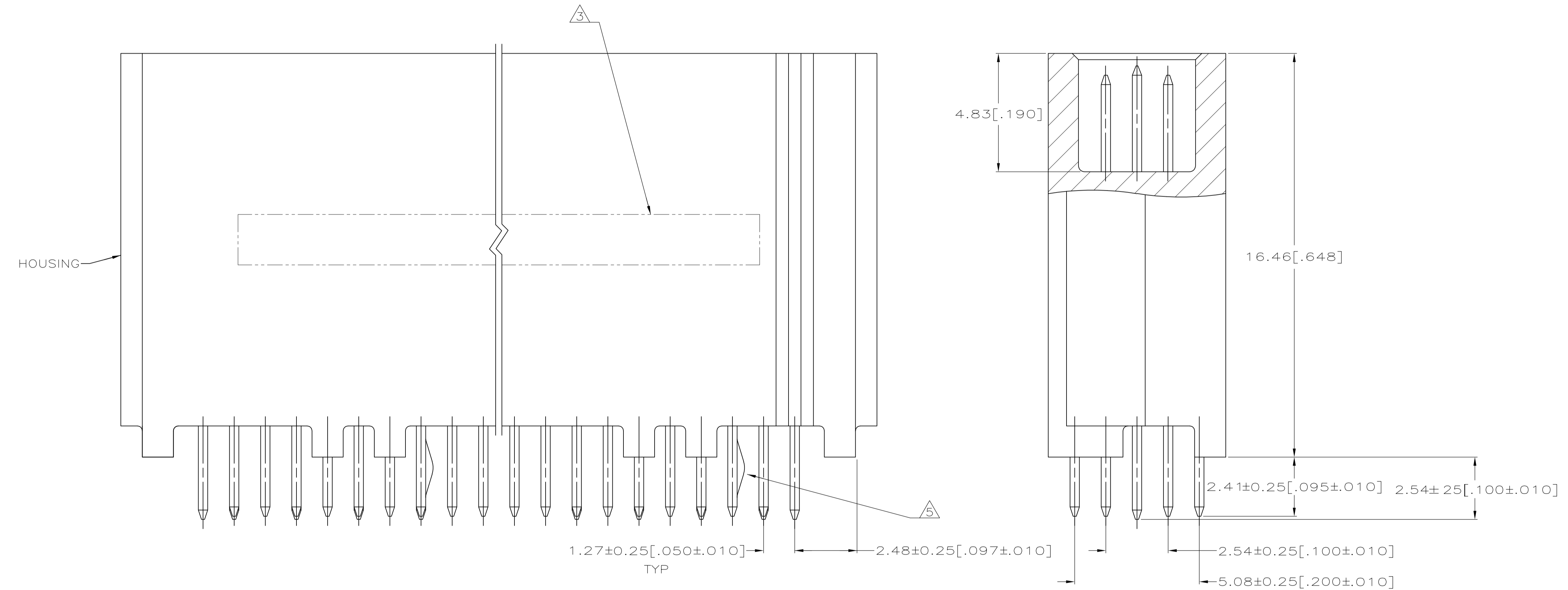


- ① HOUSING: HIGH TEMPERATURE THERMOPLASTIC, COLOR NATURAL.
PIN CONTACTS: PHOSPHOR BRONZE.
GROUND BUSES: PHOSPHOR BRONZE.
- ② CONTACTS & GROUND BUSES: 0.00076(.000030) MIN. GOLD PER ASTM B 488 ON CONTACT AREA, 0.00254-0.00762(.000100-.000300) MATTE TIN PER ASTM B 545 ON SOLDER TAIL, ALL OVER 0.00127-0.00254(.000050-.000100) MATTE NICKEL PER SAE AMS-QQ-N-290 ON ENTIRE CONTACT.
- ③ AMP, AMP PART NUMBER AND DATE CODE MARKED IN AREA INDICATED, ON SAME SIDE AS POSITION NUMBER 2 INDICATOR.
- ④ ONE GROUND BUS WITH 4 TAILS PER EACH 20 PIN CONTACTS.
- ⑤ FIRST TAIL FROM RIGHT OF EACH GROUND BUS IS KINKED.



RECOMMENDED PC BOARD HOLE LAYOUT
(VIEWED FROM CONNECTOR SIDE)

62.23 [2.450]	49	64.72 [2.548]	67.31 [2.650]	68.94 [2.714]	100	5149020-4
E	D	C	B	A	NO OF POS	PART NUMBER
THIS DRAWING IS A CONTROLLED DOCUMENT.		DIN L VAERLA - DOCKS 01-19-05		Tyco Electronics Corporation Harrisburg, PA 17105-3608		
DIMENSIONS: mm[inches]		TOLERANCES UNLESS OTHERWISE SPECIFIED:		Tyco Electronics Corporation Harrisburg, PA 17105-3608		
0 PLC ± -		1 PLC ± -		NAME: PLUG ASSY WITH KINKED GROUND BUS TAILS, 18.75 [.738] STACK, 2.41 [.095] TAIL, BOARD TO BOARD, MICROSTRIP		
2 PLC ± -		3 PLC ± 0.1 [.005]		APPLICATION SPEC: 108-1272		
4 PLC ± -		ANGLES ± -		SIZE: 114-11005		
MATERIAL: ①		FINISH: ②		WEIGHT: -		
				CUSTOMER DRAWING		
				SCALE: 10:1		
				SHEET: 1 OF 1		
				REV: A		