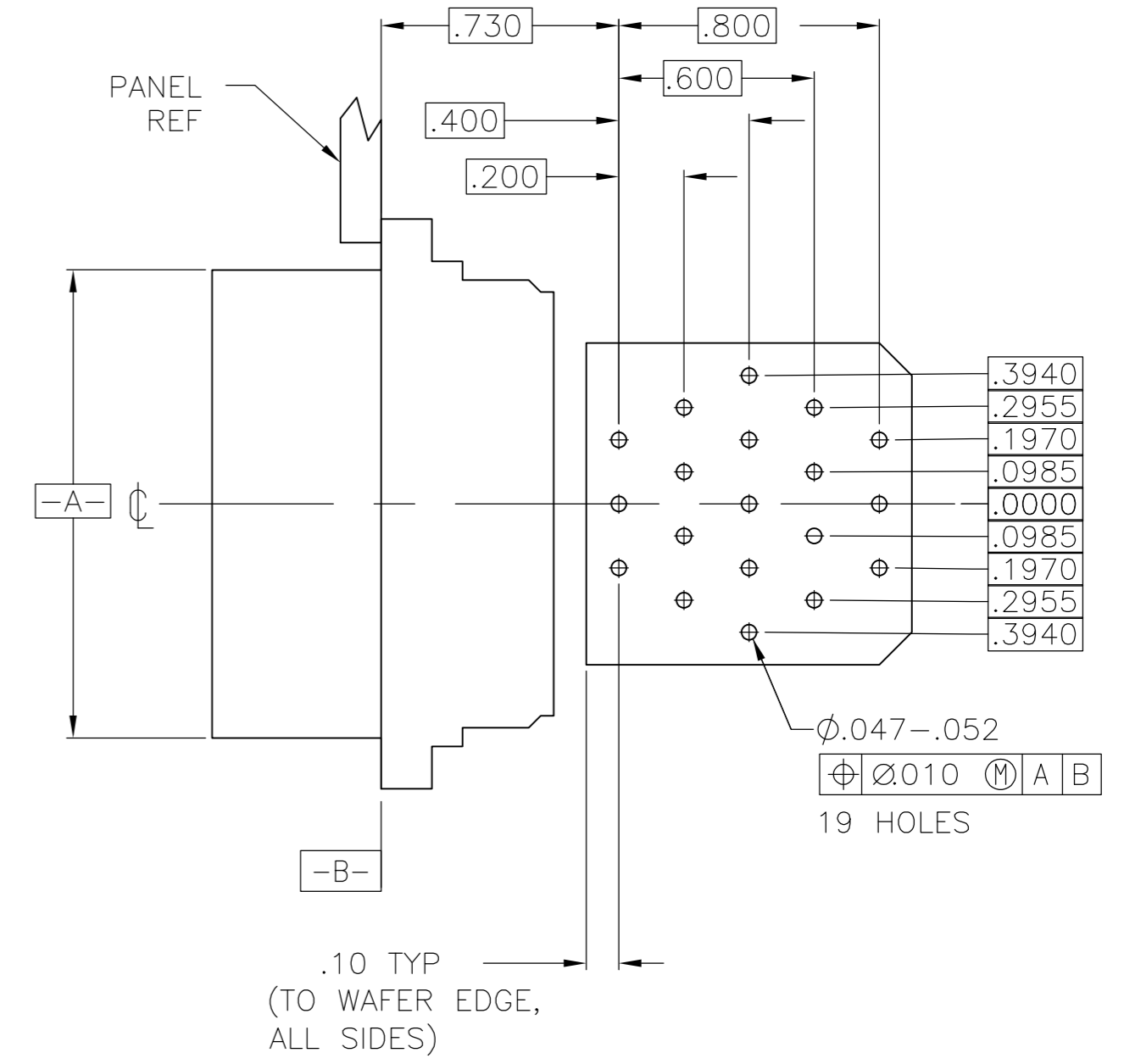
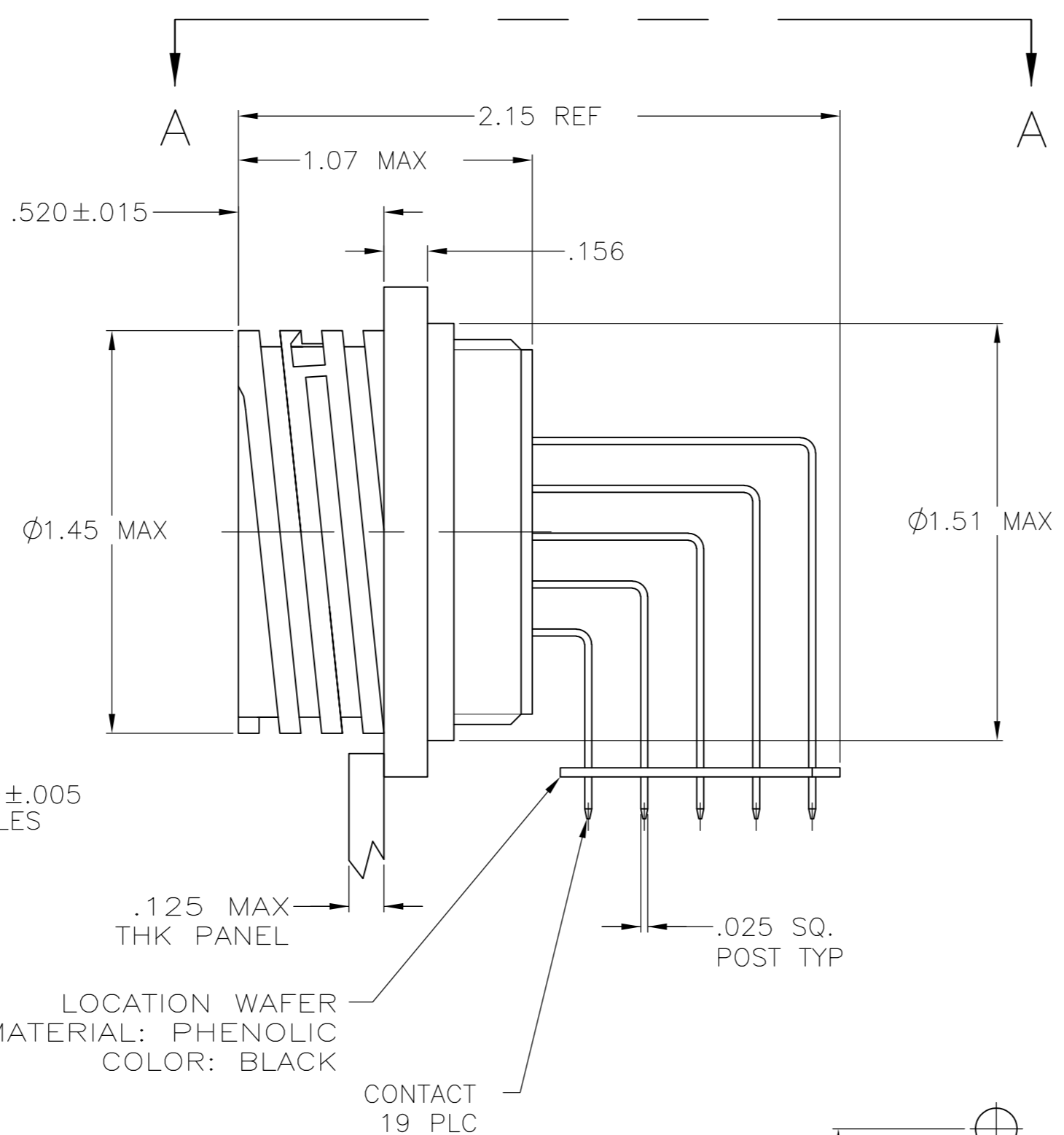
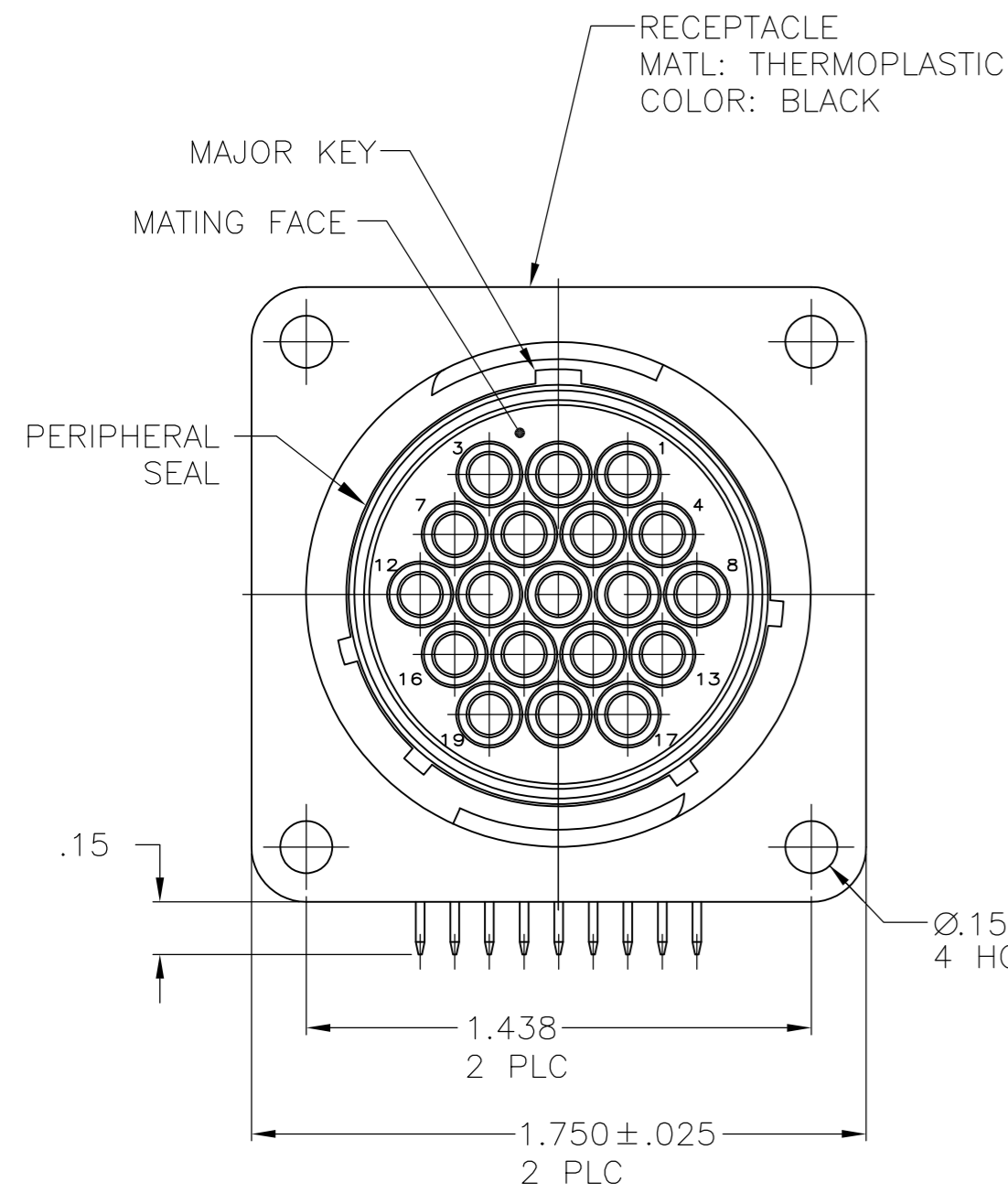
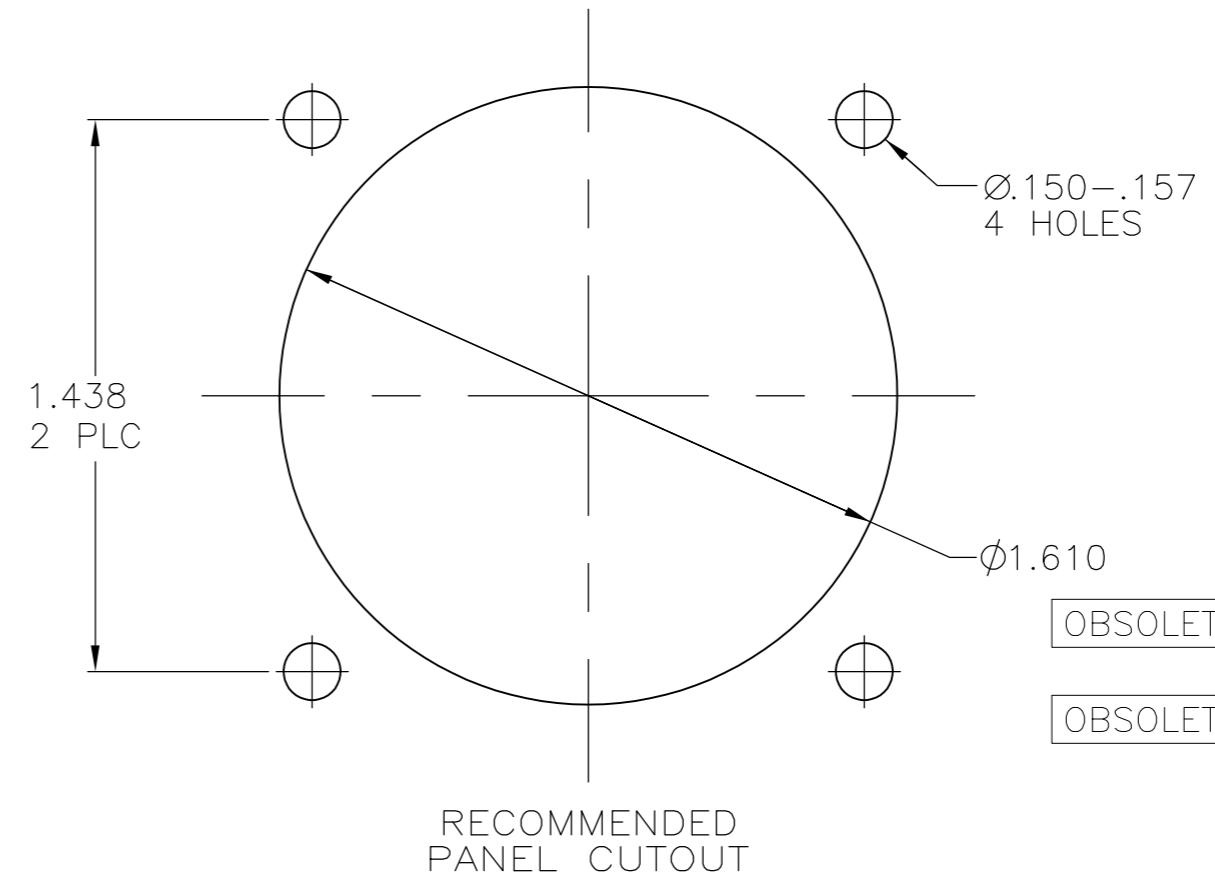


THIS DRAWING IS UNPUBLISHED. RELEASED FOR PUBLICATION  
 © COPYRIGHT - By - ALL RIGHTS RESERVED.

REVISIONS				
P	LTR	DESCRIPTION	DATE	APVD
C3		REVISED PER ECO-16-004800	08SEP2016	NK MZ



VIEW A-A  
 RECOMMENDED PC BOARD LAYOUT



RECOMMENDED PANEL CUTOUT

- 1 CONTACT CAVITIES IDENTIFIED BY CHARACTERS ON FRONT AND REAR FACES OF CONNECTOR.
- 2 #6 FASTENER RECOMMENDED FOR MOUNTING.
- 3 CONTACT BODY: .000030 MIN GOLD FOR A LENGTH OF .200 MIN FROM MATING END, WITH REMAINDER TO BE GOLD FLASH, BOTH OVER .000050 MIN NICKEL. CONTACT POST: .000100 MIN TIN-LEAD OVER .000100 MIN COPPER.
- 4 PC BOARD HOLE PATTERN IS DEFINED RELATIVE TO CONNECTOR C.L. AND PANEL MOUNTING FACE INDICATED.
- 5 CONTACT BODY: .000030 MIN GOLD FOR A LENGTH OF .200 MIN FROM MATING END, WITH REMAINDER TO BE GOLD FLASH, BOTH OVER .000050 MIN NICKEL. CONTACT POST: .000100 MIN TIN OVER .000100 MIN COPPER.
- 6 CONTACT BODY AND POST-TIN/NICKEL PLATE

OBSOLETE	YES	6	4-796502-2
	NO	5	1-796502-1
OBSOLETE	YES	3	796502-2
	NO	3	796502-1
	PERIPHERAL SEAL	CONTACT FINISH	PART NUMBER

THIS DRAWING IS A CONTROLLED DOCUMENT.		DWN HAMNER 4-12-00	<b>TE</b> TE Connectivity	
DIMENSIONS: INCHES		CHK M.CHACKO 4-13-00		
TOLERANCES UNLESS OTHERWISE SPECIFIED:		APVD M.CHACKO 4-13-00	NAME	
0 PLC ± -		PRODUCT SPEC	RECEPTACLE ASSY, POSTED, RT ANGLE, RVS SEX, SIZE 23-19, SERIES 1, CPC	
1 PLC ± -		APPLICATION SPEC	SIZE	RESTRICTED TO
2 PLC ± .03			CAGE CODE	
3 PLC ± .010			DRAWING NO	
4 PLC ± -			A2 00779	796502
ANGLES ± -		WEIGHT	SCALE	SHEET
FINISH		CUSTOMER DRAWING	2:1	1 of 1
			REV	C3