

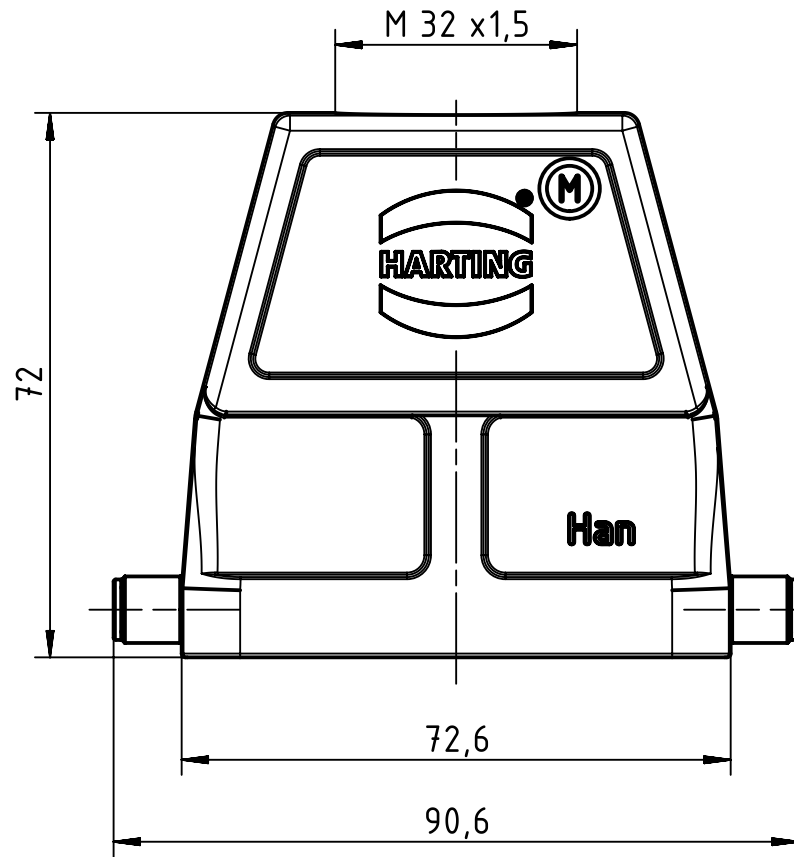
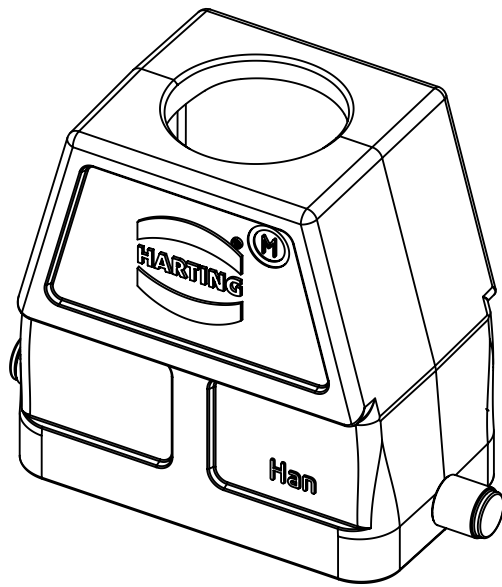
1 2 3 4 5 6


A

B

C

D



	All rights reserved Department EL PD - DE	All Dimensions in mm Original Size DIN A4		Scale 1:1	Free size tol.	Ref. Sub.
		HARTING Electric GmbH & Co. KG D-32339 Espelkamp	Created by SCHULZI	Inspected by BERGHORN	Standardisation TIEMANNA	Date 2014-07-21
Title Han 10M-gg-R-M32						Doc-Key / ECM-Nr. 100227434/UGD/002/B 500000061817
Type TB				Number 19 37 010 0447		Rev. B
						Page 1/1