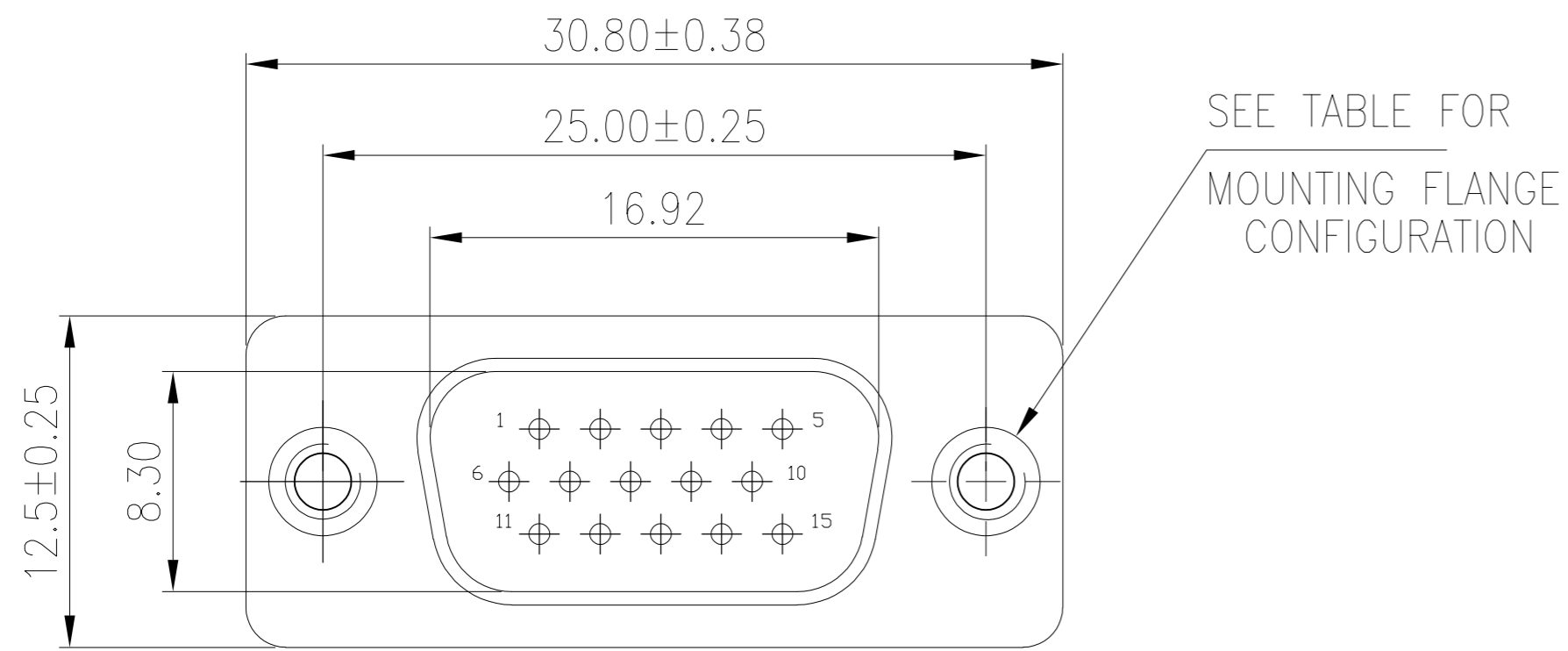
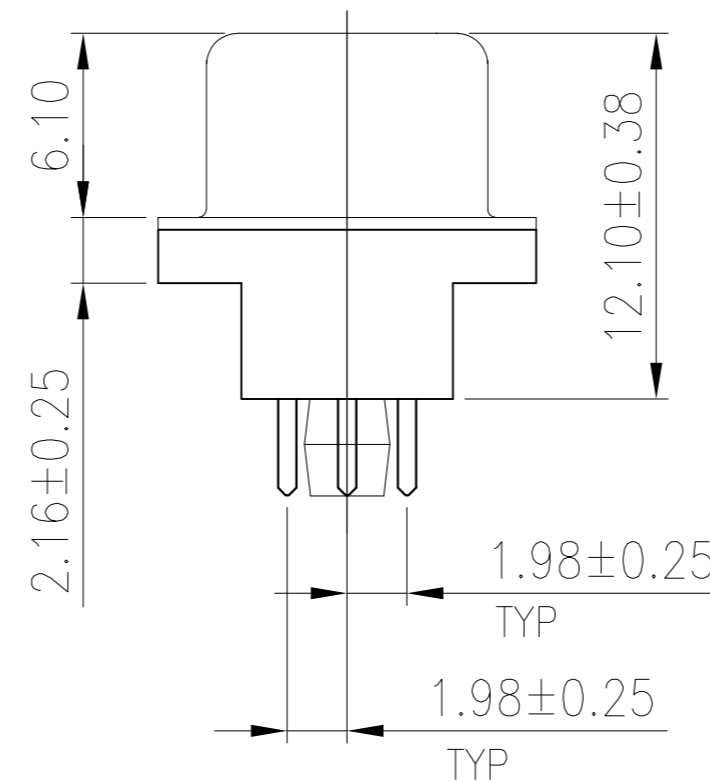
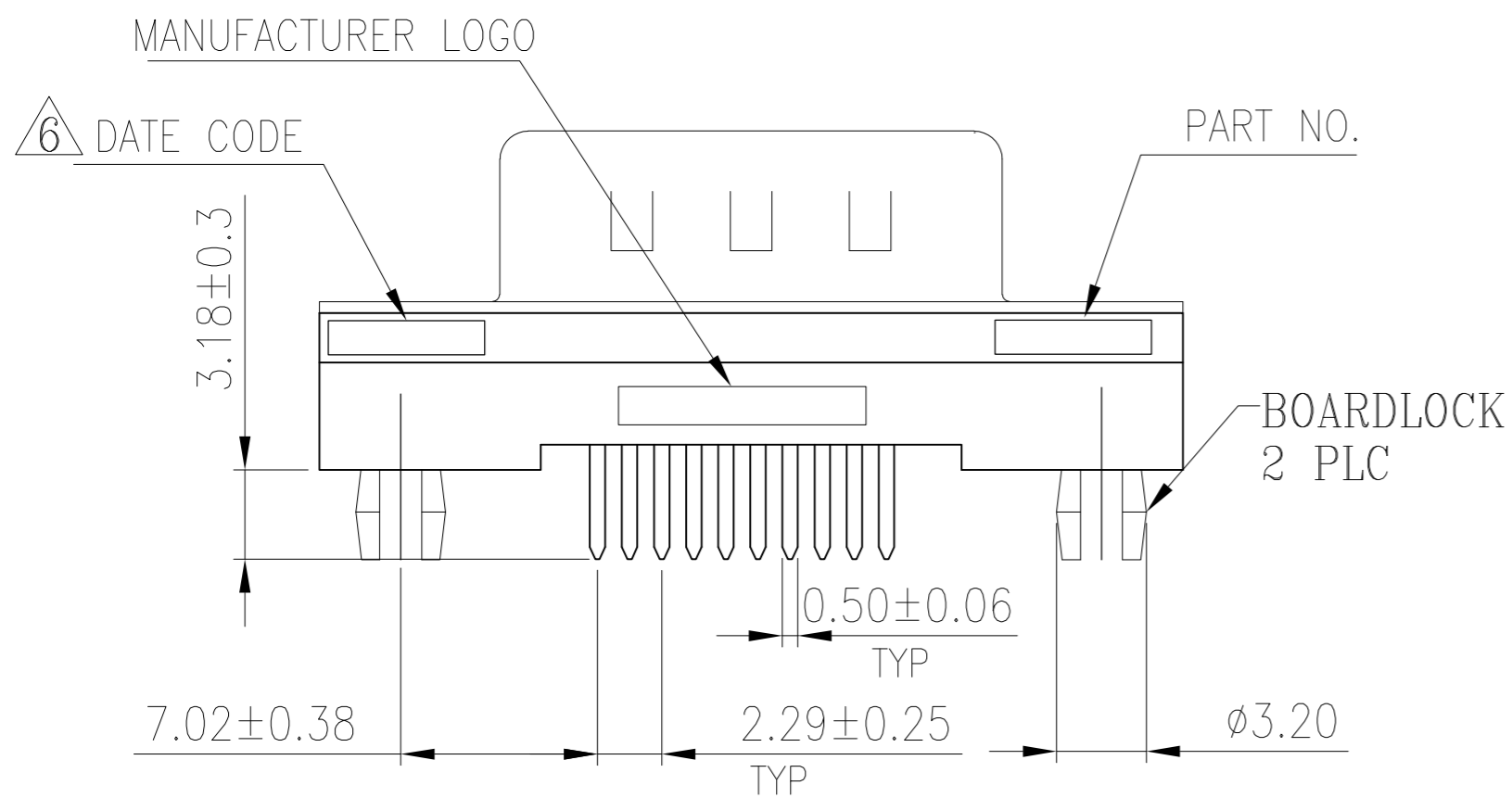


THIS DRAWING IS UNPUBLISHED. RELEASED FOR PUBLICATION
 © COPYRIGHT - By - ALL RIGHTS RESERVED.

| REVISIONS | | | | |
|-----------|-----|---------------------------|-----------|-------|
| P | LTR | DESCRIPTION | DATE | APVD |
| C | | REVISED PER ECO-16-008787 | 24JUN2016 | AP DG |



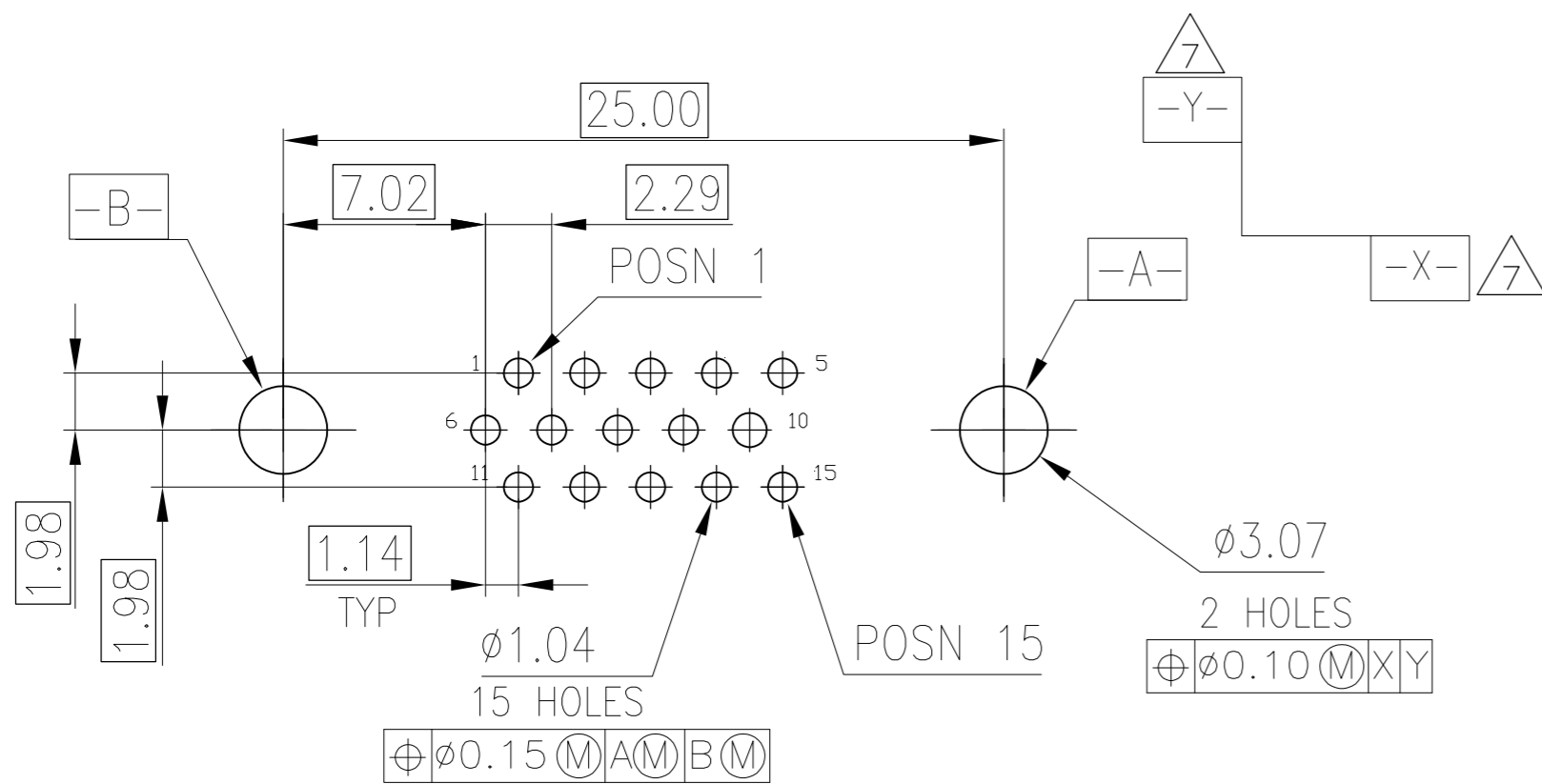
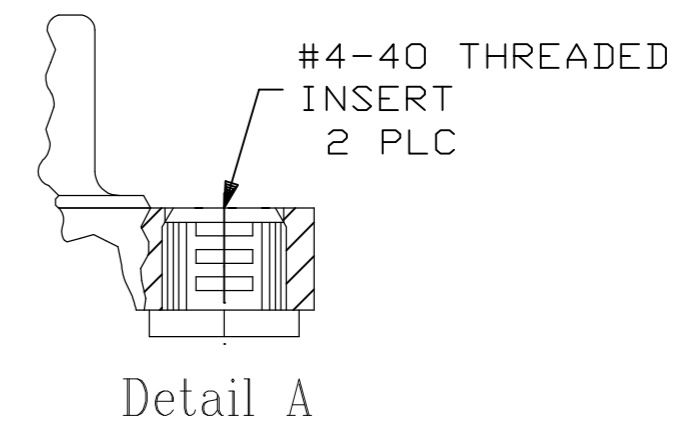
- HOUSING MATERIAL: PBT, GLASS FILLED, BLACK, UL 94V-0 RATED.
- CONTACT MATERIAL: BRASS.
- CONTACT FINISH: GOLD PLATE IN MATING AREA (SEE TABLE), 120μ" MIN TIN PLATE ON SOLDER TAIL, BOTH OVER 50μ" MIN NICKEL UNDERPLATE.
- SHELL: STEEL, NICKEL PLATE.
- THREADED INSERTS AND BOARDLOCKS: BRASS, 100u' MIN TIN PLATE OVER 50u" MIN NICKEL UNDERPLATE.



6 FOUR DIGIT DATE CODE IN THIS FORMAT.

Year 01 45 Manufacturing Week

7 DATUMS [-X-] & [-Y-] TO BE ESTABLISHED BY CUSTOMER.



RECOMMENDED PCB LAYOUT

| | | | | |
|----------|-----------|-------------------------------|----------------------------|----------------------|
| OBSOLETE | Tray | Detail A | Gold flash | 5750489-4 |
| OBSOLETE | Tray | Detail A | 15μ" MIN | 5750489-3 |
| | Tray | Detail A | 30μ" MIN | 5750489-1 |
| | Packaging | Mounting Flange Configuration | CONTACT MATING AREA FINISH | PART NUMBER |

| | | | | |
|--|--|--------------------------|--|--|
| THIS DRAWING IS A CONTROLLED DOCUMENT. | | DWN B. MCMASTER 22SEP05 | TE Connectivity | |
| DIMENSIONS: mm | | CHK S. BOLASH 22SEP05 | | |
| TOLERANCES UNLESS OTHERWISE SPECIFIED: | | APVD M. WALMSLEY 22SEP05 | NAME AMPLIMITE HD-22 15 POS PLUG, VERTICAL | |
| 0 PLC ± - | | PRODUCT SPEC | SIZE CAGE CODE DRAWING NO RESTRICTED TO | |
| 1 PLC ± 0.30 | | APPLICATION SPEC | A2 00779 C=5750489 | |
| 2 PLC ± 0.20 | | | SCALE 1:1 SHEET 1 OF 1 REV C | |
| 3 PLC ± 0.10 | | | | |
| 4 PLC ± - | | | | |
| ANGLES ± 2' | | | | |
| FINISH | | WEIGHT 0.000000 | | |
| MATERIAL | | CUSTOMER DRAWING | | |