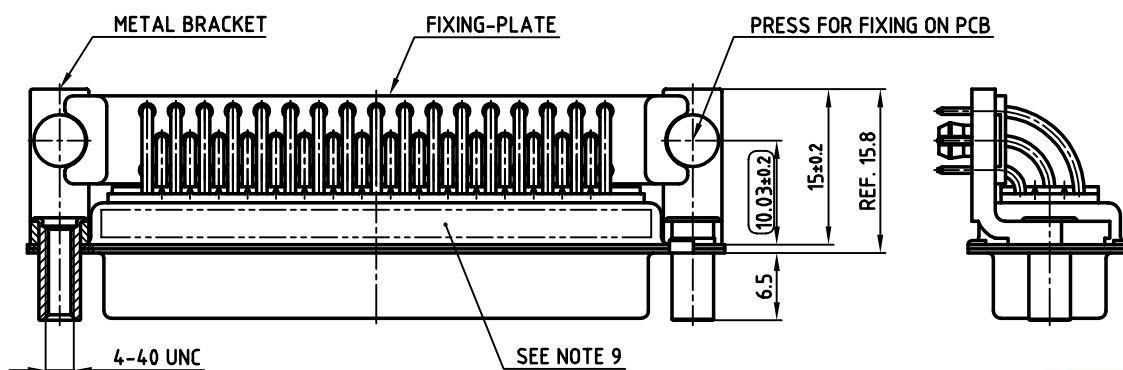
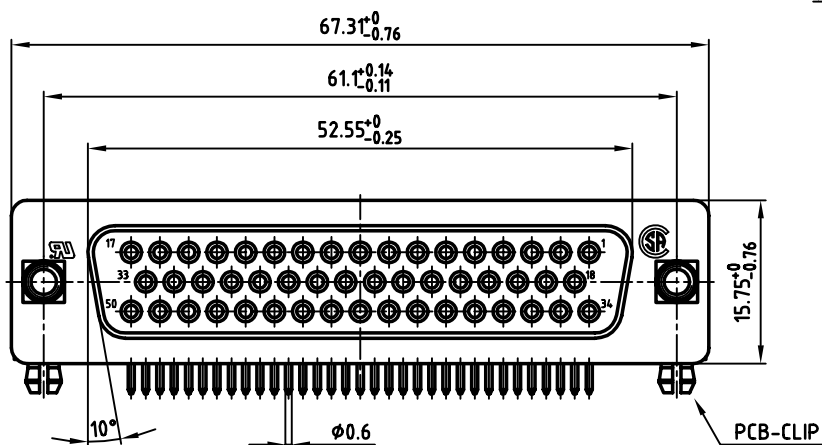
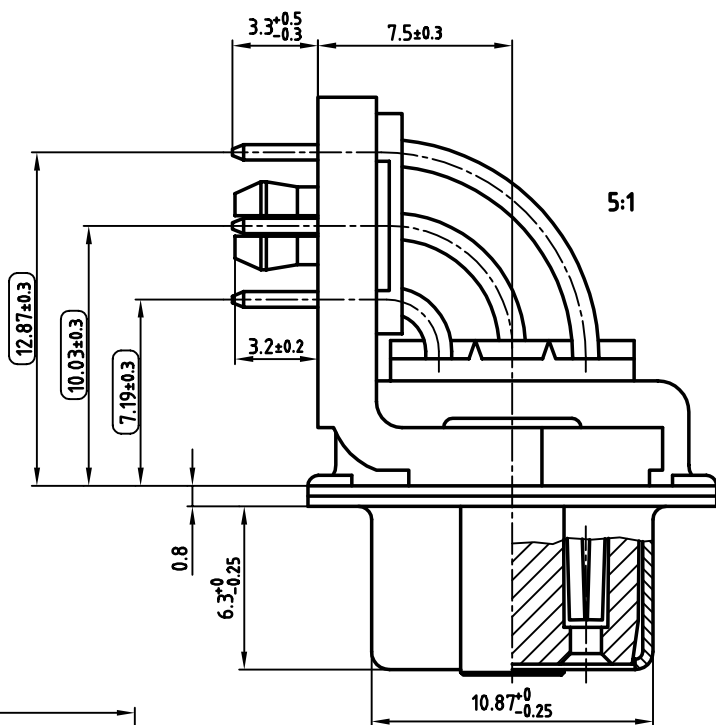


used for: D-SUB

**NOTES:**

1. METALSHELLS: STEEL; min. 320µ" TIN
2. INSULATORS: PBT GF UL 94 V-0, BLACK
3. CONTACTS: COPPER ALLOY  
PLATING: 8µ" HARD GOLD OVER min. 50µ" NICKEL
4. METAL BRACKET: STEEL; min. 320µ" TIN over 80µ" NICKEL
5. THREADED LOCK: COPPER ALLOY; min. 200µ" TIN over 80µ" NICKEL
6. PCB-SNAP: COPPER ALLOY; min. 200µ" TIN over 80µ" NICKEL  
PCB-HOLE:  $\phi 3.1 \pm 0.1$ ; PCB THICKNESS 1.6mm
7. P.C.B. HOLE DRILLINGS ON SHEET 2
8. MAXIMUM TORQUE VALUE FOR THREAD: 6" LBS
9. CONNECTOR IS PART MARKED: PART-NO. CONEC Y/WW
10.    = CHECK DIMENSION



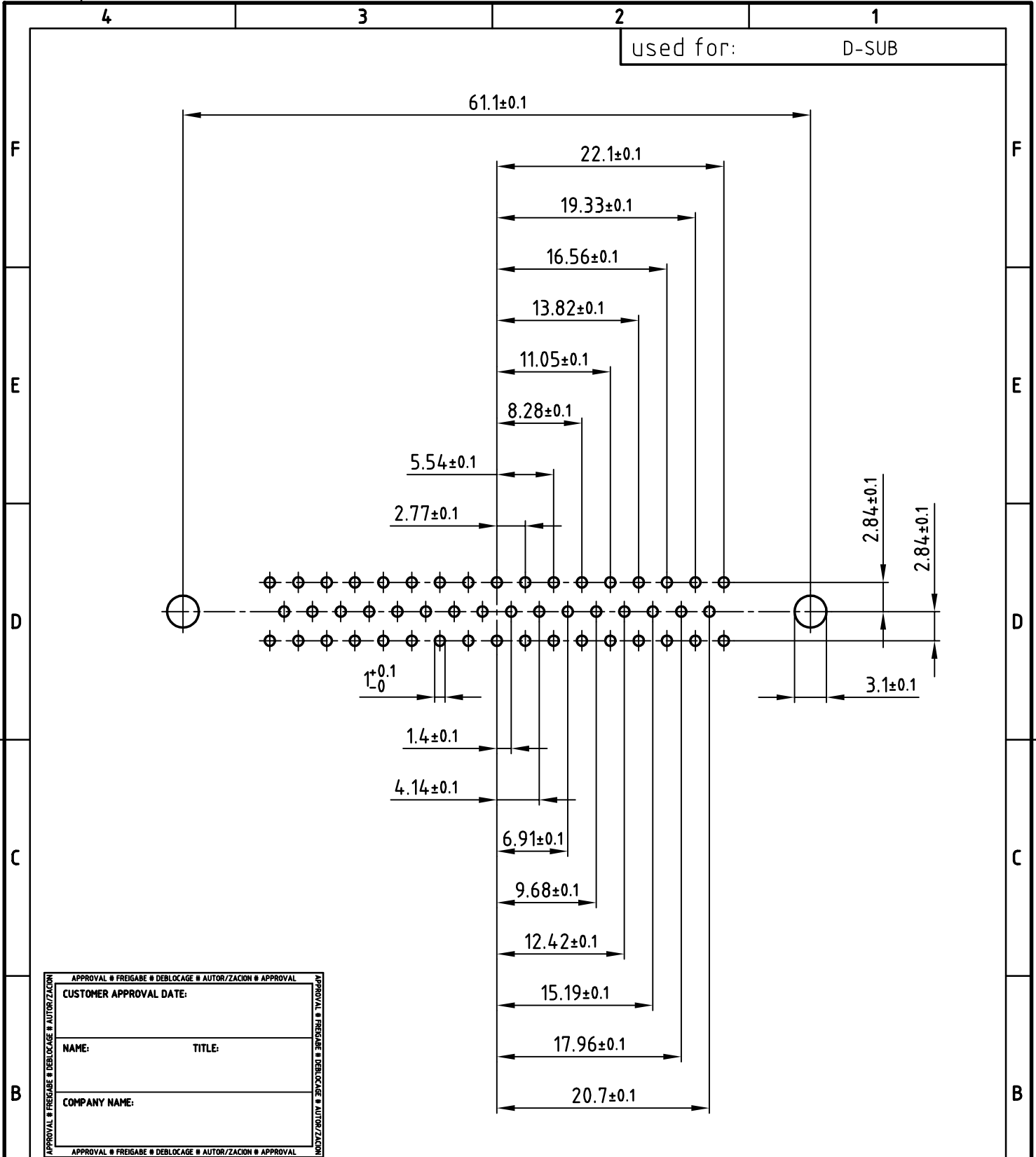
Directive 2002/95/EC  
"RoHS"  
Compliant

APPROVAL # FREIGABE # DEBLOCAGE # AUTOR/ZACON # APPROVAL	
CUSTOMER APPROVAL DATE:	
NAME:	TITLE:
COMPANY NAME:	
APPROVAL # FREIGABE # DEBLOCAGE # AUTOR/ZACON # APPROVAL	

THIS DRAWING MAY NOT BE COPIED OR REPRODUCED IN ANY WAY, AND MAY NOT BE PASSED ON TO A THIRD PARTY, WITHOUT WRITTEN PERMISSION. OWNERSHIP AND COPYRIGHT OF CONEC Gmbh DO NOT ALTER CAD DRAWING BY HAND

tolerance		scale:	2:1 (5:1)
	dim. in mm	material:	SEE NOTES
2003	date	name	title:
drawn	27.05.	Lehmenkühler	<b>D-SUB FEMALE 90°</b> 50pos. 0.318inch threaded lock, metal bracket, clip, fixing-plate
appd.	27.05.	Kühle	
norm	DIN 41652		
d-old			dwg no: AutoCAD 2000 DIN-A
<b>CONEC</b>			<b>16K1A962</b>
rev.	description	date	name
			part no: <b>164A19079X</b>

			3 sh:1/2



APPROVAL # FREIGABE # DEBLOCAGE # AUTORIZACION # APPROVAL	
CUSTOMER APPROVAL DATE:	
NAME:	TITLE:
COMPANY NAME:	
APPROVAL # FREIGABE # DEBLOCAGE # AUTORIZACION # APPROVAL	

THIS DRAWING MAY NOT BE COPIED OR REPRODUCED IN ANY WAY, AND MAY NOT BE PASSED ON TO A THIRD PARTY WITHOUT WRITTEN PERMISSION.  
 OWNERSHIP AND COPYRIGHT OF CONEC GmbH  
 DO NOT ALTER CAD DRAWING BY HAND

tolerance			dim. in mm		
2003	date	name	scale: 2:1		
drawn	27.05.	Lehmenkühler	material: SEE SHEET 1		
appd.	27.05.	Kühle	title: P.C.B. HOLE DRILLINGS		
norm	DIN 41652		D-SUB FEMALE 90° 50pos. 0.318inch		
d-old			threaded lock,metal bracket,clip,fixing-plate		
rev.	description	date	name	dwg no: AutoCAD	
				DIN-A	
				4	
part no: SEE SHEET 1				sh:2/2	