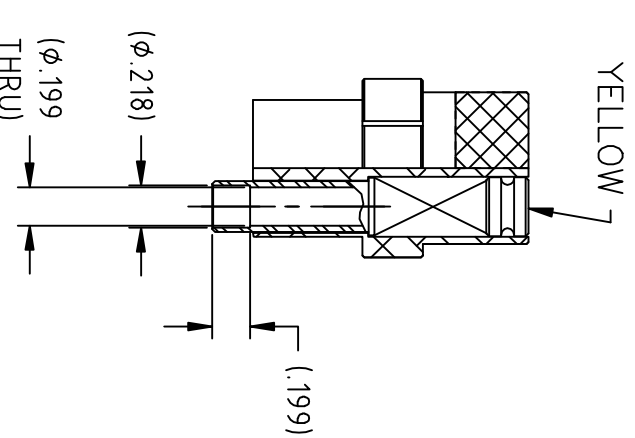
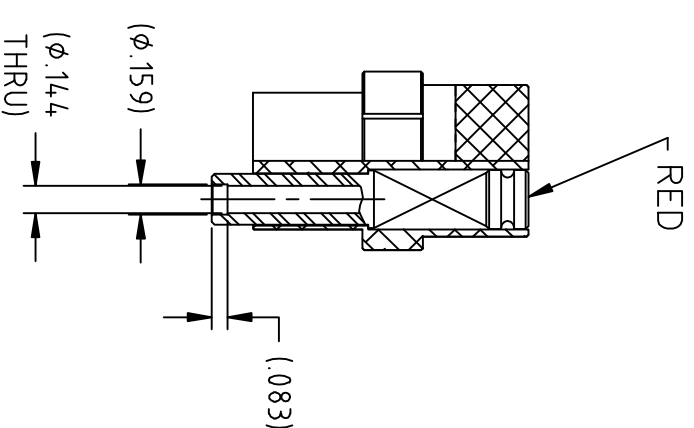
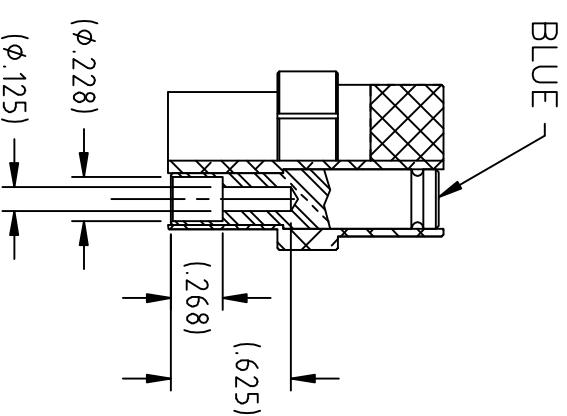
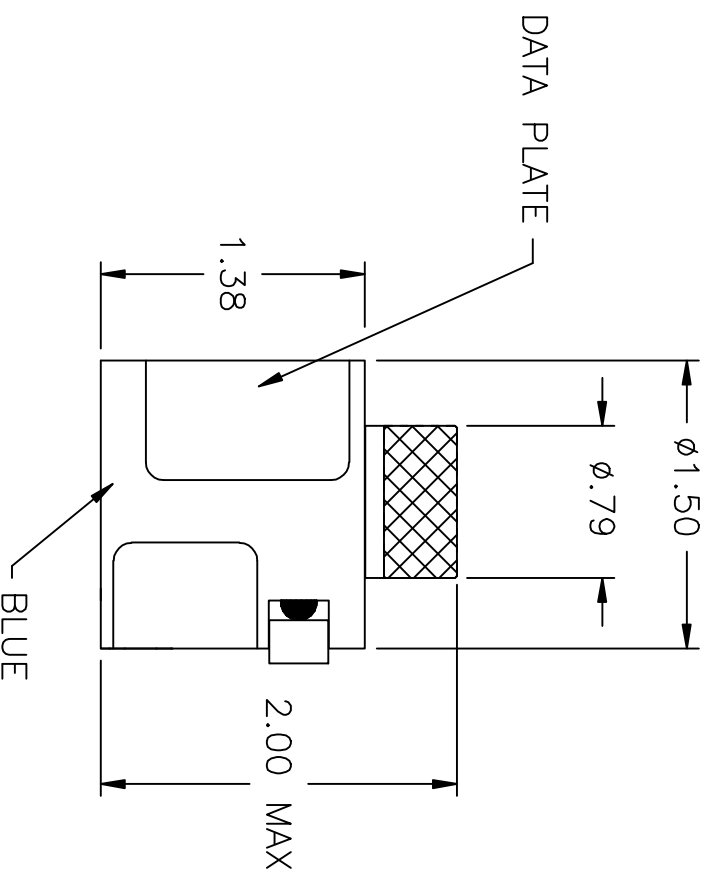
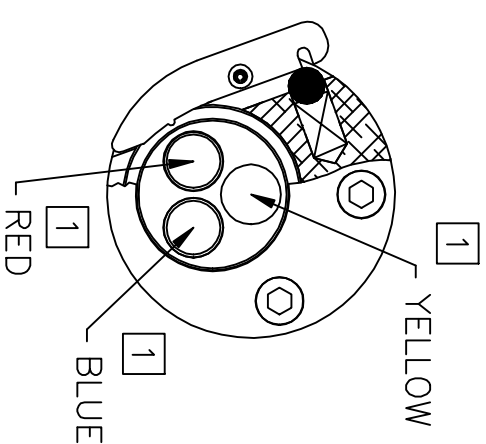


**UNCONTROLLED DOCUMENT
WILL NOT BE UPDATED**

RANDOM ORDER OF ROTATION IS
ACCEPTABLE



TYPICAL CONSTRUCTION

F18 CONNECTION CONTACTS	COLOR CODE	22	20	18	16	14	AVG
		0.38	0.60	0.93	1.34	1.91	MM ²
71-0150, 0150-56	RED	3	4	5			
76-0150, 0150-68	RED	3	4	5	6	7	
18-0250, 0250B-17	BLUE						
20-0250, 0250B-20	BLUE	5	5	5	6	7	
62-0200, 0200-34	YELLOW						
63-0200, 0200-35	YELLOW	5	5	5	6	7	

DATA PLATE

REV.	DESCRIPTION	BY	DATE	APR.
A	NEW RELEASE.	DY0	11-29-10	MMK

THESE DRAWINGS, SPECIFICATIONS OR OTHER DATA ARE AND REMAIN THE PROPERTY OF ASTRO TOOL CORP. AND MUST BE RETURNED UPON REQUEST. THEY CONTAIN INFORMATION OWNED AND/OR DEVELOPED BY ASTRO AT ITS OWN PRIVATE EXPENSE AND MAY NOT BE USED, DUPLICATED OR DISCLOSED TO OTHERS, IN WHOLE OR IN PART FOR DESIGN, MANUFACTURE OR PROCUREMENT WITHOUT THE WRITTEN PERMISSION OF ASTRO TOOL CORP. EACH AND EVERY TIME.

SCALE:	N.T.S.
DWN BY:	DYO
DATE:	11-15-10
APPROVED:	

UNLESS OTHERWISE SPECIFIED:
DECIMALS: .XXX ± .005
 XX ± .010
 X ± .030
ANGLES: ± 1°

ASTRO TOOL CORP.
21615 S.W. TUALATIN VALLEY HWY., BEAVERTON OR 97006

DESCRIPTION: ENVELOPE DRAWING: TGV202
TURRET ASSEMBLY

PART NO. B TGV202-ENV

CAGE 58164

NOTES: 1. THIS IS AN AUTOCAD DRAWING DO NOT CHANGE MANUALLY.