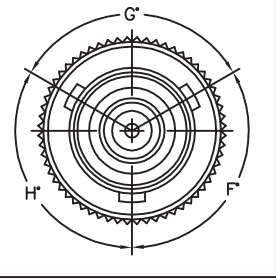
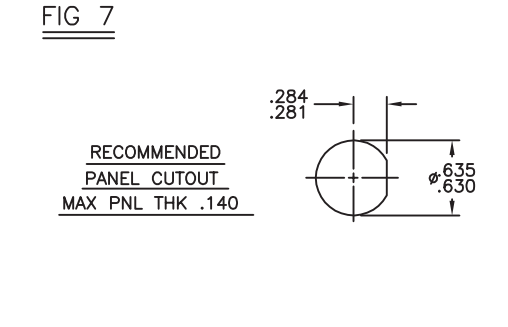
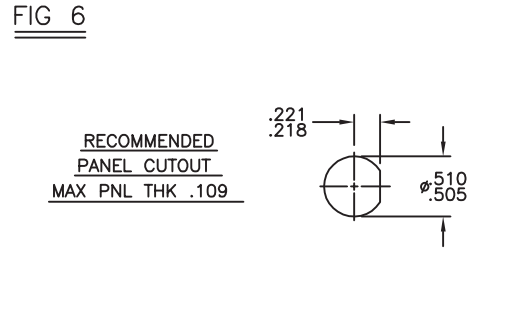
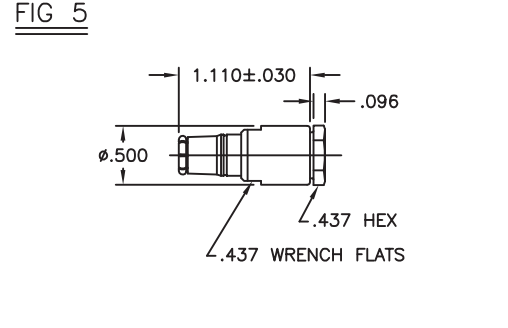
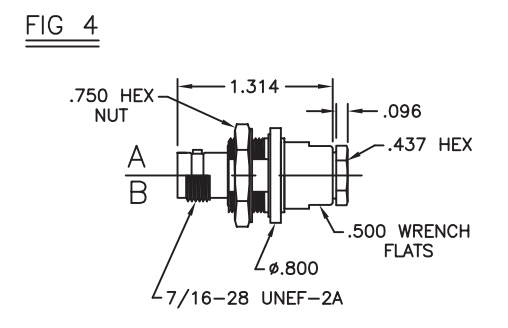
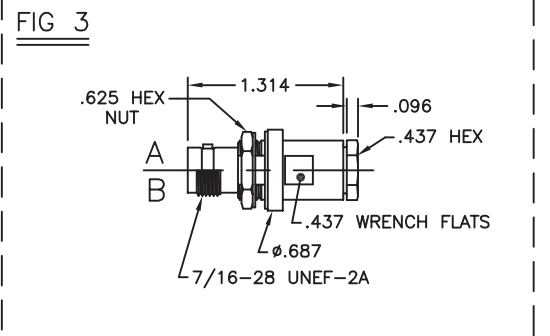
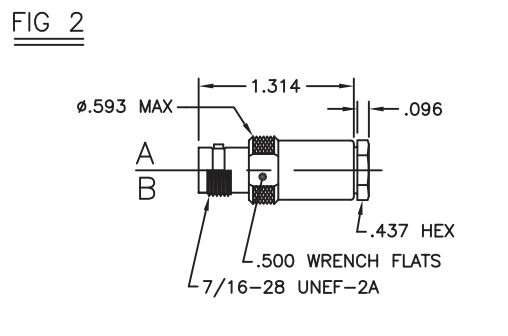
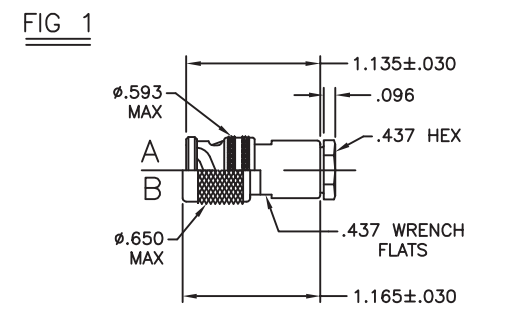


TABLE 1			
DASH NO	TYPE	FIGURE	MOUNTING HOLE FIG
-1	PL75	1A	--
-2	BJ74	4A	7
-3	OBSOLETE SEE -7		
-4	CJ70	2A	--
-5	OBSOLETE SEE -1		
-6	OBSOLETE SEE -2		
-7	BJ79	3A	6
-8	OBSOLETE SEE -4		
-9	PL375	1B	--
-10	BJ374	4B	7
-11	BJ379	3B	6
-12	CJ370	2B	--
-13	OBSOLETE SEE -9		
-14	OBSOLETE SEE -10		
-15	OBSOLETE SEE -11		
-16	OBSOLETE SEE -12		
-17	PL74	1A	--
-18	BJ74TL	4A	7
-19	BJ79TL	3A	6
-20	CJ70TL	2A	--
-21	OBSOLETE SEE -17		
-22	OBSOLETE SEE -18		
-23	OBSOLETE SEE -19		
-24	OBSOLETE SEE -20		
-25	PL75FL	1B	--
-26	BJ74FL	4B	7
-27	BJ79FL	3B	6
-28	CJ70FL	2B	--
-29	OBSOLETE SEE -25		
-30	OBSOLETE SEE -26		
-31	OBSOLETE SEE -27		
-32	OBSOLETE SEE -28		
-33	PL73	5	--
-34	OBSOLETE SEE -30		

TABLE 2				
KEYING LETTER	F DEGREES	G DEGREES	H DEGREES	COLOR BAND
T	100°	150°	110°	RED
U	120°	130°	110°	ORANGE
V	115°	130°	115°	YELLOW
W	125°	110°	125°	GREEN
X	130°	100°	130°	BLUE
Y	110°	140°	110°	VIOLET
Z	100°	160°	100°	GRAY
S	135°	135°	90°	WHITE
NONE	120°	120°	120°	NONE



REVISIONS			
REV	DESCRIPTION	DATE	APPROVED
R	ECO 12710	2/3/99	DKC
S	ECO 52712	11/16/10	C. MONAHAN



UNLESS OTHERWISE SPECIFIED DIMENSIONS ARE IN INCHES TOLERANCES ARE:  
 FRACTIONS .XX ±  
 DECIMALS .XXX ± .005  
 ANGLES .0001 ±

**cinch**  
 CONNECTIVITY SOLUTIONS  
 a bel group

SIGNATURES DATE

DRAWN BY C. WALLACE 11/19/10

CHECKED BY C. MONAHAN 11/22/10

APPROVED BY C. MONAHAN 11/22/10

APPROVED BY

SIZE C CASE CODE 14949

DWG NO. 305-0042

REV S

SCALE 1:1 DATE: 6/25/70 SHEET 1 OF 2

1. ASSEMBLE PER TAI-250.