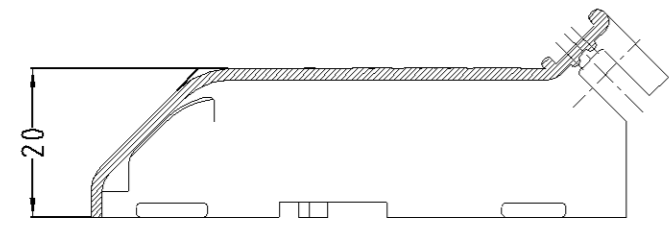
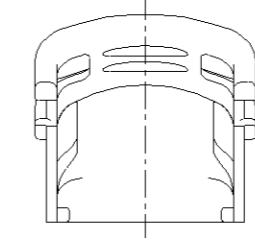
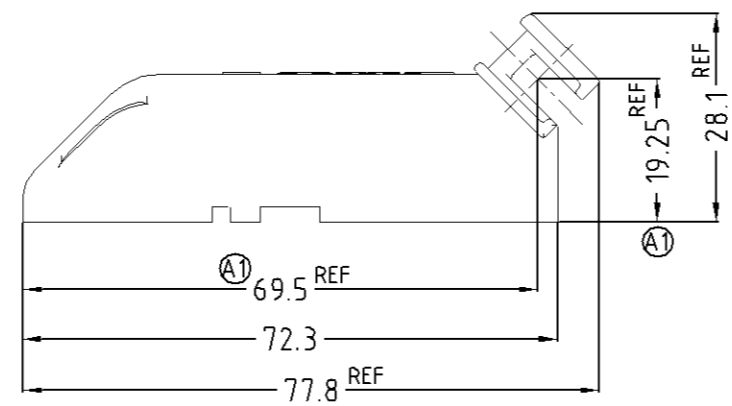
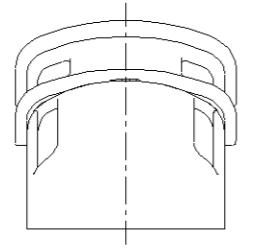
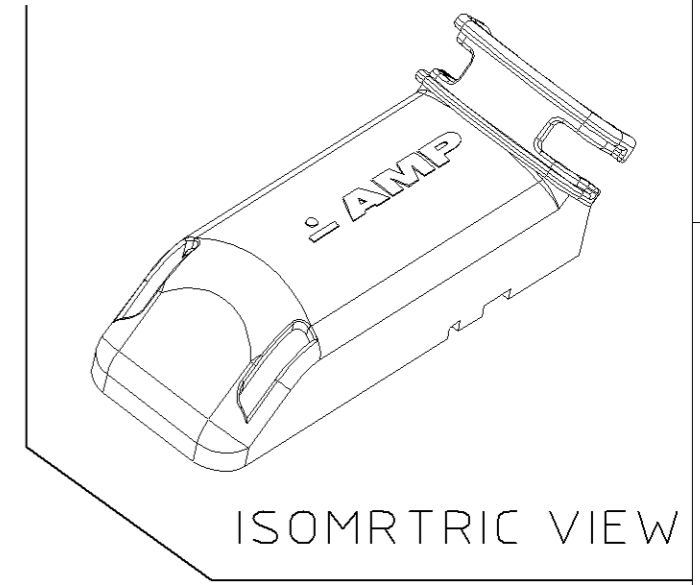
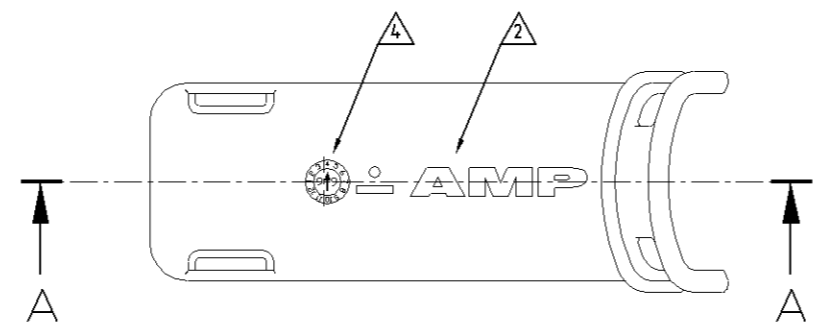
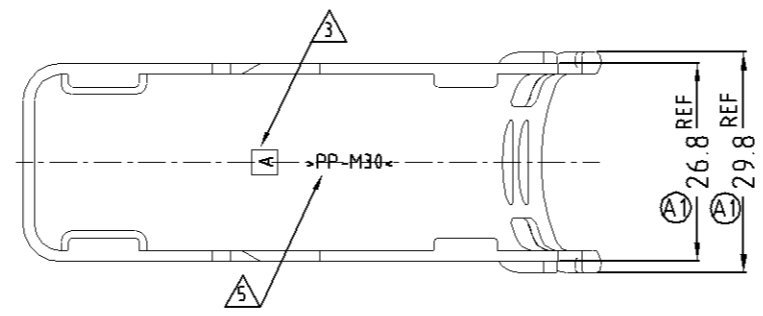


LOC	DIST	REVISIONS					
DS		P	LTR	DESCRIPTION	DATE	DWN	APVD
			B1	REVISED PER ECO-11-005139	28MAR11	RK	HMR



SECTION A-A



NOTE.  
 1. APPLICABLE ASS'Y CONNECTOR FOR JPT&MQS 81Pos.; P/N: 368190-1  
 ▲ TE TREAD MARK.  
 ▲ CAVITY MARK  
 ▲ DATE CODE.  
 ▲ RECYCLE MARKING.

②	BLACK	PP-M30	COVER HSG (CHINA ONLY)	9-368333-1
	BLACK	PP-M30	COVER HSG	368333-1
	COLOR	MATEIAL	DESCRIPTION	PART NO.

DWN DR GOO		TE Connectivity	
CHK YM CHOI			
APVD JK SONG		NAME	
PRODUCT SPEC		COVER HSG FOR JPT&MQS ASS'Y 81Pos. ('B' TYPE)	
APPLICATION SPEC		SIZE	DRAWING NO
WEIGHT		A3	368333
MATERIAL		CAGE CODE	SCALE 1 : 1
SEE TABLE		00779	SHEET 1 OF 1
FINISH		REV B1	
SEE TABLE		CUSTOMER DRAWING	