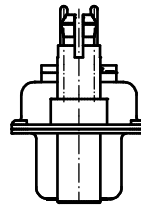
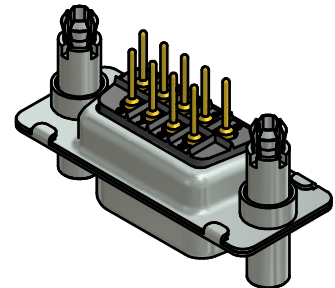
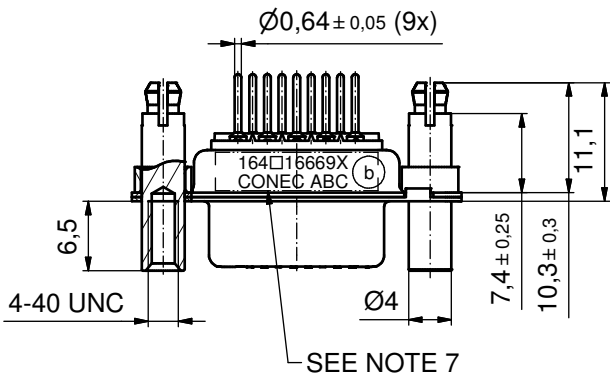
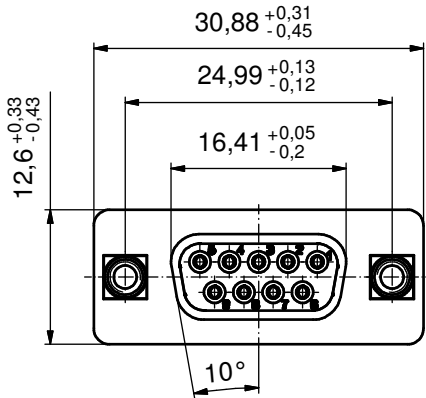
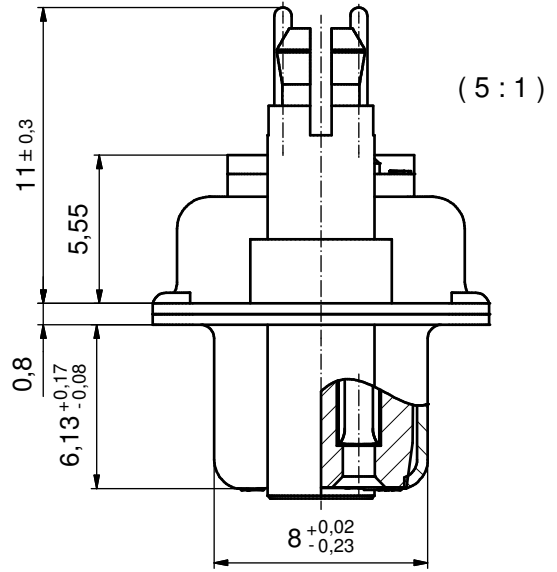
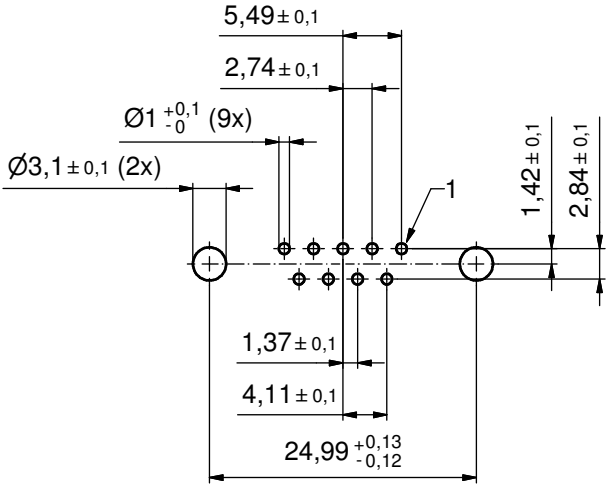


P.C.B. HOLE DRILLINGS  
( P.C.B. TOP SIDE )



NOTES:

1. METALSHELLS: STEEL; min. 315µm TIN over 40-80µm NICKEL
2. INSULATORS: PBT GF UL 94 V-0; BLACK
3. SIGNAL CONTACTS: COPPER ALLOY; PLATING (SEE PART NO.):
  - PLEASE ADD A for GOLD FLASH over NICKEL (PREFERRED TYPE)
  - PLEASE ADD B for 20µm HARD GOLD over min. 50µm NICKEL
  - PLEASE ADD C for 30µm HARD GOLD over min. 50µm NICKEL
4. THREADED LOCK AND SPACER CLIPS: COPPER ALLOY; min. 200µm TIN over 80µm NICKEL  
PCB-HOLES: Ø3,1±0,1; PCB THICKNESS 1,6mm
5. COLLARS: COPPER ALLOY; min. 200µm TIN over 80µm NICKEL
6. MAXIMUM TORQUE VALUE FOR THREAD: 6 in.LB
7. CONNECTOR IS PART MARKED: 164□16669X CONEC ABC (see note 3)

(b)

Directive 2002/95/EC RoHS compliant

THIS DRAWING MAY NOT BE COPIED OR REPRODUCED IN ANY WAY, AND MAY NOT BE PASSED ON TO A THIRD PARTY WITHOUT WRITTEN PERMISSION. OWNERSHIP AND COPYRIGHT OF CONEC GmbH DO NOT ALTER CAD DRAWING BY HAND	tolerance			dim. in mm	scale:	2:1 (5:1)		
					material:	SEE NOTES		
				date	title:			
				name	D-SUB FEMALE 9pos. SOLDER PIN STRAIGHT with threaded lock and spacer clip			
				drawn			04.07.13	Henneboel
				appd.			08.07.13	Fischer
				norm				
			d-old	16K2IKWA				
3 x b	Ä4824	04.07.2013	K.H.	dwg no:		DIN-A3		
a	Original			(b) 16K1A3269		sh: 1		
rev.	description	date	name	part no:		164□16669X (see note 3)		

**CONEC**®