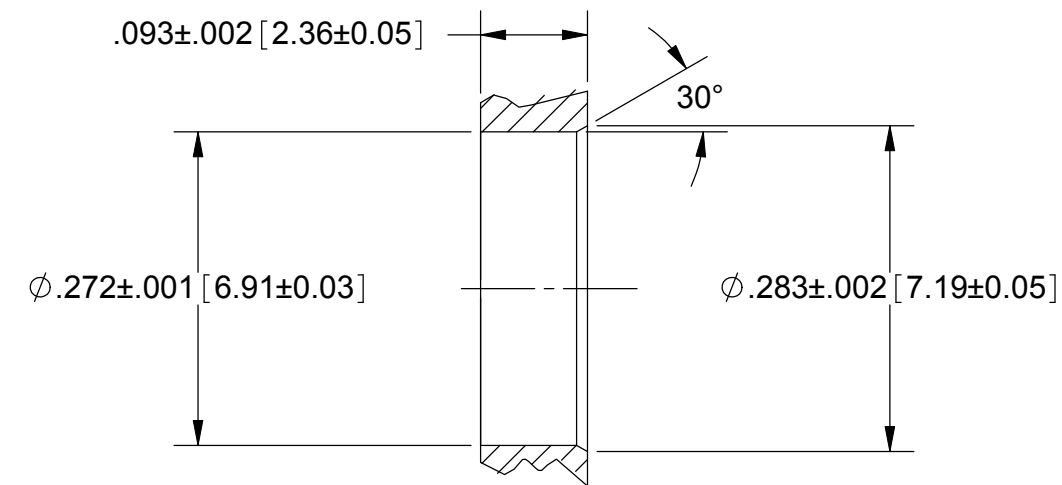
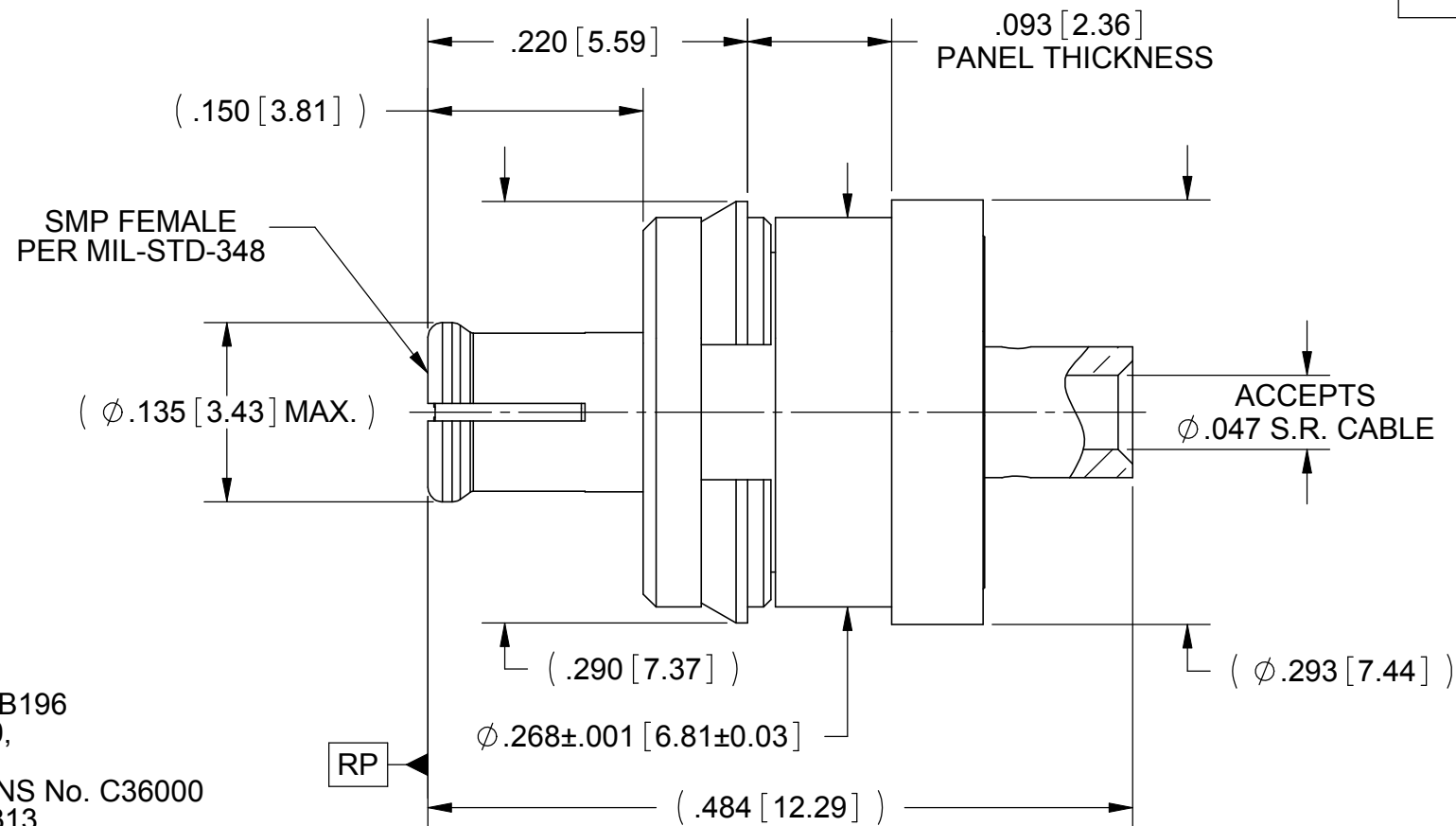
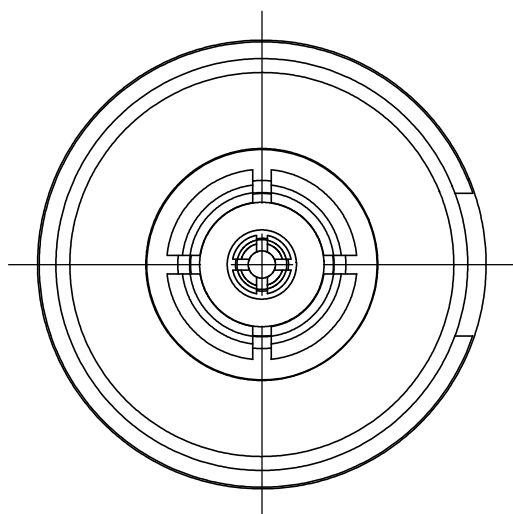


PRODUCT DATA DRAWING

REVISION HISTORY			
REV	DESCRIPTION	DATE	APPROVED
-	DCN 35561	12/07	STW
A	DCN 37782	09/10	PJS



RECOMMENDED MOUNTING HOLE

MATERIALS:

BODIES, CONTACT & SPRING CLIP: SLEEVE & INSERT:

BERYLLIUM COPPER PER ASTM B196
STAINLESS STEEL PER AMS 5640,
ALLOY No. UNS S30300, TYPE 1

BUSHING: SPRING:

BRASS PER ASTM B16, ALLOY UNS No. C36000
STAINLESS STEEL PER ASTM A313

INSULATOR: DIELECTRIC SPACER: HEAT SHRINK TUBING:

PTFE PER ASTM D1710
TORLON 4203
AMS-DTL-23053 (NOT SHOWN)

FINISHES:

BODIES, CONTACT & SPRING CLIP:

GOLD PER ASTM B488, TYPE II
GRADE C, CLASS 1.27, OVER NICKEL
PER AMS-QQ-N-290, CLASS 1

BUSHING: SLEEVE, INSERT & SPRING:

PASSIVATED PER AMS 2700

ELECTRICAL:

IMPEDANCE: FREQ. RANGE: VSWR:

50 OHMS
DC TO 40.0 GHZ
1.15:1 DC TO 18.0 GHZ.
1.25:1 DC TO 26.5 GHZ.

INSERTION LOSS: D.W.V.: INSULATION RES.:

0.25 dB MAX.
500 VRMS
5,000 MEGOHMS MINIMUM

FLOAT:

AXIAL FLOAT: .040 INCH
RADIAL FLOAT: .020 INCH

SPRING FORCE:

SPRING RATE: 39 LBS/INCH NOM.
PRE-LOAD: 0.81 LBS NOM.
.035" COMPRESSION: 2.15 LBS NOM.
.125" COMPRESSION: 5.6 LBS NOM.

MATERIAL: SEE NOTES	DIMENSIONS ARE IN INCHES TOLERANCES: FRACTIONAL: ±1/64 ANGULAR: X° ±1'0" X"X' ±15'	UNLESS OTHERWISE SPECIFIED 1) ALL DIMENSIONS ARE IN INCHES (MILLIMETERS) 2) ALL DIMENSIONS ARE AFTER PLATING 3) BREAK CORNERS & EDGES .005 R. MAX. 4) CHAM. 1ST & LAST THREADS. 5) SURFACE ROUGHNESS 63-MIL-STD-10. 6) DIA. 'S ON COMMON CENTERS TO BE CONCENTRIC WITHIN .005 T.I.R. 7) REMOVE ALL BURRS	SV Microwave, Inc. 2400 Centrepark West Drive, Suite 100 West Palm Beach, FL 33409
FINISH: SEE NOTES	DECIMAL: X ±.030 .XX ±.010 .XXX ±.005	INTERPRET DIMENSIONS AND TOLERANCES PER ASME Y14.5M - 1994	TITLE: SMP FEMALE, FLOAT MOUNT FOR S.R. φ .047, φ .093" PANEL THK.
SURFACE AREA: N/A	THIRD ANGLE PROJECTION	DRAWN: HLP 12/17/07 CHECKED: STW 12/17/0 APPROVED: STW 12/17/0	SIZE: B CAGE CODE: 95077 DWG. NO. 1221-6001
PROPRIETARY THE INFORMATION CONTAINED IN THIS DRAWING IS THE SOLE PROPERTY OF SV MICROWAVE, INC. ANY REPRODUCTION IN PART OR AS A WHOLE WITHOUT THE WRITTEN PERMISSION OF SV MICROWAVE, INC IS PROHIBITED.			SCALE: 8:1 SHEET 1 OF 1