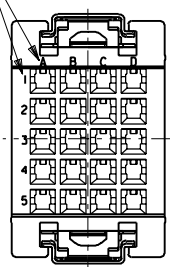
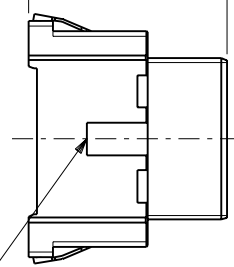


回路番号表示
CKT.No.IDENTIFICATION



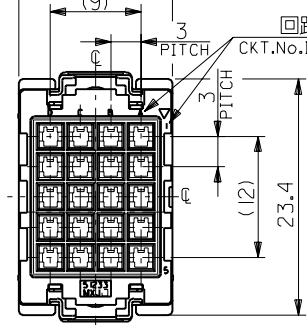
電線挿入側
WIRE SIDE

19.7



シエル挿入方向キー
POLARIZATIONS KEY FOR SHELL

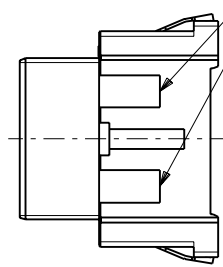
15.2
(9)



嵌合側
MATING SIDE

回路番号表示
CKT.No.IDENTIFICATION

シエル挿入方向キー
POLARIZATIONS KEY FOR SHELL



注記
NOTES

- 材質 MATERIAL
①ハウジング：ガラス入りPBT樹脂
HOUSING : PBT G.F.
UL94V-0 色：黒
UL94V-0 COLOR : BLACK
②スプリング：ステンレス鋼 t0.3
SPRING : STAINLESS STEEL t0.3
- 適用端子：56116-8*90 , 56117-8*90
56118-8*90 , 56119-8*90
APPLICABLE CRIMP PIN : 56116-8*90 , 56117-8*90
56118-8*90 , 56119-8*90
- 適用リセプタクル シェル：56377-20**
APPLICABLE RECEPTACLE SHELL : 56377-20**
- 嵌合相手：51239-200*
MEET WITH : 51239-200*

<誤嵌合防止キー(極性)タイプ> <POLARITY KEY TYPE>

| | | | | |
|---------------|------------|------------|------------|------------|
| 51233-2011 | 51233-2012 | 51233-2013 | 51233-2014 | 51233-2015 |
| | | | | |
| STANDARD TYPE | A TYPE | B TYPE | C TYPE | D TYPE |

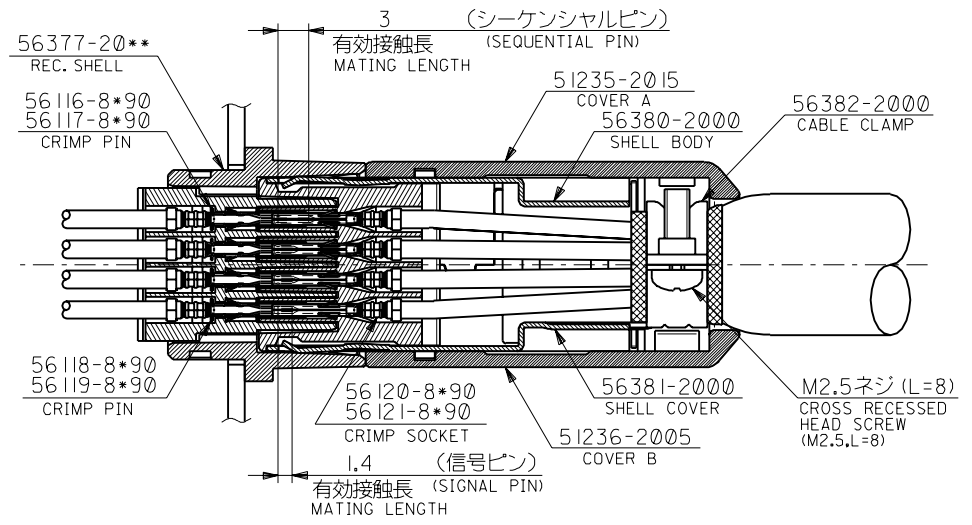
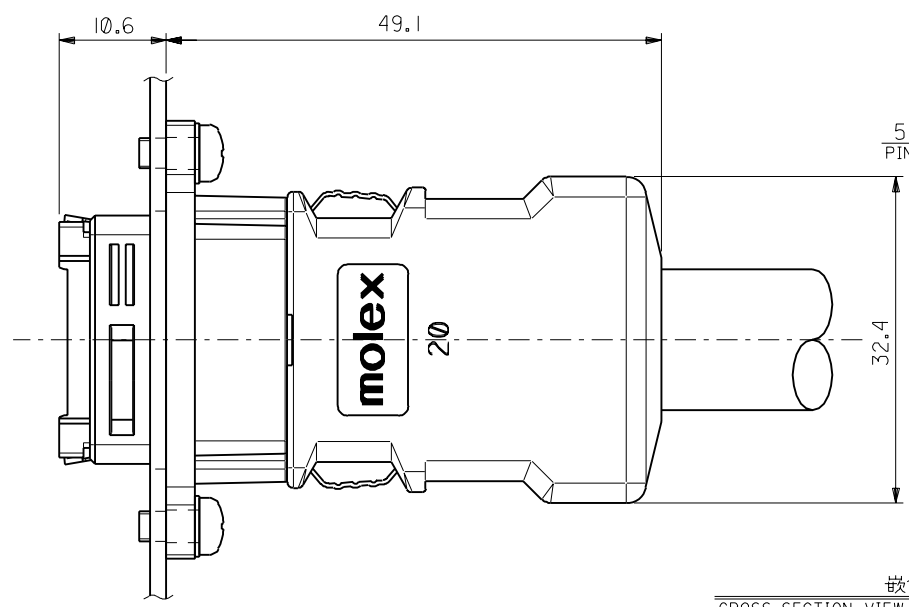
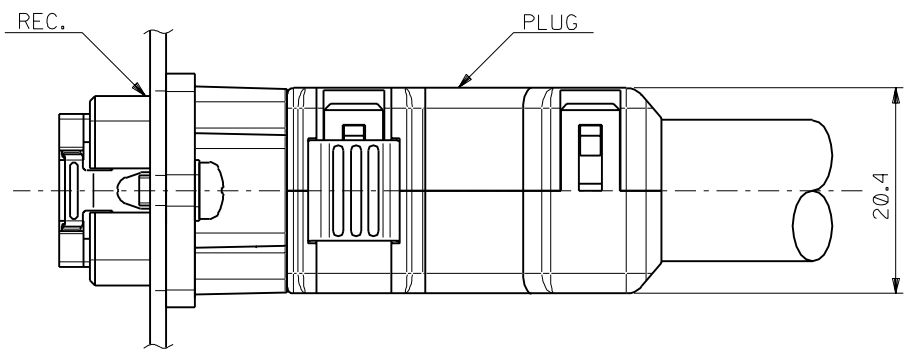
| | | | | |
|---------------------------------|---------------|--------------|-------------|---------|
| C-4 | D | 51233-2015 | 51233-***1* | 20 |
| C-3 | C | 51233-2014 | | |
| B-3 | B | 51233-2013 | | |
| B-2 | A | 51233-2012 | | |
| — | STANDARD | 51233-2011 | | |
| POLARITY POSITION (CIRCUIT No.) | POLARITY TYPE | MATERIAL No. | MODEL No. | CIRCUIT |

DO NOT SCALE DRAWING

| | | | | | | | | | | | | | | |
|----------------------------------|----------------------------------|----------------------------------|--|--|-------------------|-----------------|------------------------|----------------------|---|---|--|--|-----------------------------|---------------------|
| EC NO. DRWN: CHK: APPR: | EC NO. DRWN: CHK: APPR: | EC NO. DRWN: CHK: APPR: | REVISED 01/10/04 EC NO. J2002-0786 DRWN: S.AKIYAMA CHK: J.MIYAZAWA APPR: Y.O.ITO | RELEASED 01/02/16 EC NO. JD2001-1040 DRWN: S.AKIYAMA CHK: J.MIYAZAWA APPR: H.IKESUGI | MATERIAL 材料 # | FINISH 仕上げ # | WIRE RANGE 適用線径範囲 # | INS. RANGE 被覆外径 # | GENERAL TOLERANCES: (UNLESS SPECIFIED) 一般公差 10 UNDER 未満 ±0.2 10 OVER 30 UNDER 未満 ±0.25 30 OVER 以上 ±0.3 ANGLE 角度 ±3° | SCALE 2-1 DESIGN UNITS mm INCH THIRD ANGLE PROJECTION | TITLE: COMPACT ROBOT CONN. (CRC) REC. PIN HS'G ASS'Y | MATERIAL NO. SEE CHART | DRAWING NO. SD-51233-008 | SHEET NO. 1 OF 4 |
| | | | | | 注記参照 SEE NOTES | | | | | MOLEX INCORPORATED | | THIS DRAWING CONTAINS INFORMATION THAT IS PROPRIETARY TO MOLEX INCORPORATED AND SHOULD NOT BE USED WITHOUT WRITTEN PERMISSION. | | SIZE B |

F
E
D
C
B
A

DWG. NO. SD-51233-008



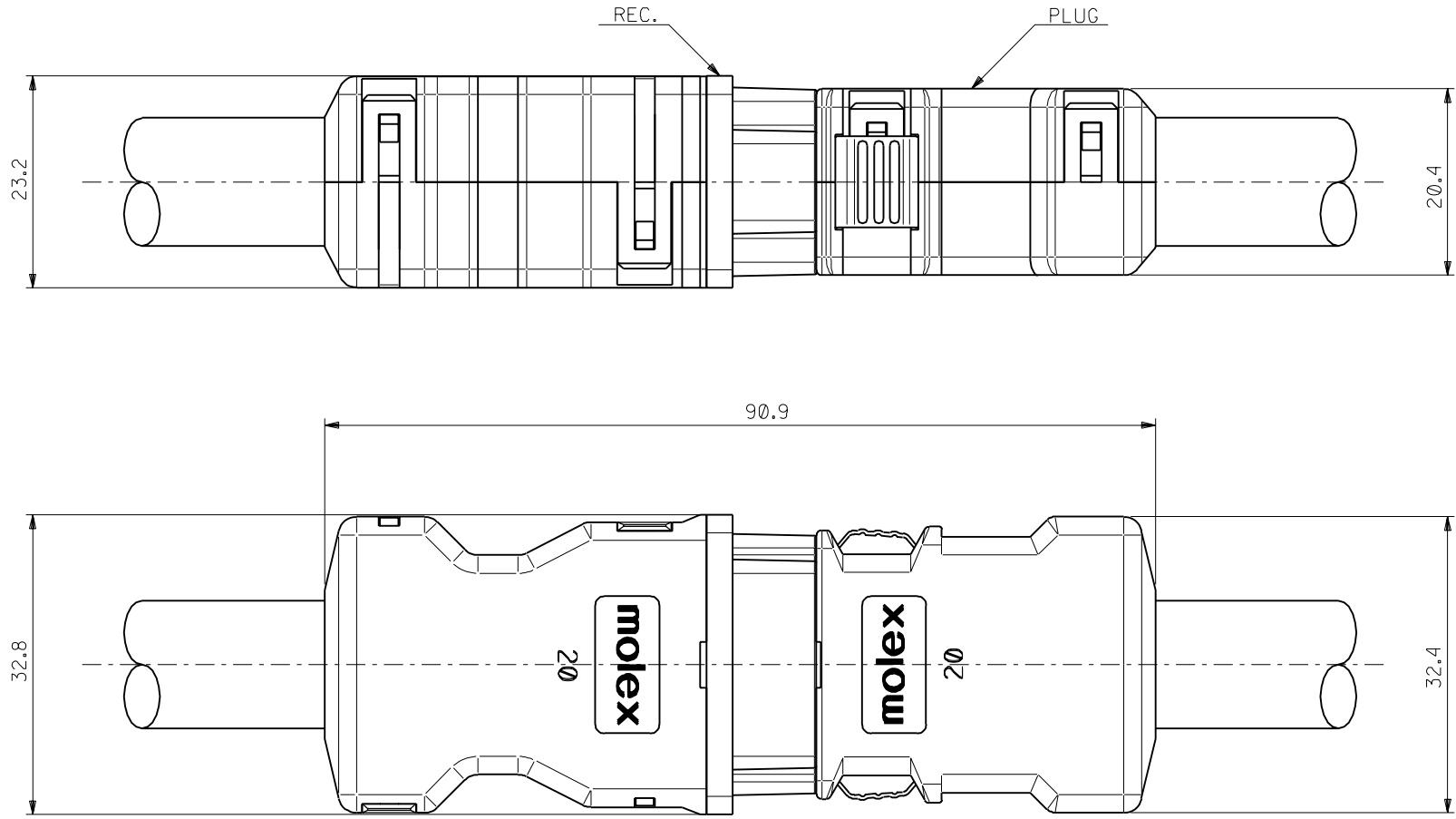
嵌合図

CROSS-SECTION VIEW OF MATED CONNECTOR

DO NOT SCALE DRAWING

| | | | | | | | | | | | |
|----------------------------------|----------------------------------|----------------------------------|---|----------------|---|--|--|---|---|------------------------------|---------------------|
| EC NO. DRWN: CHK: APPR: | EC NO. DRWN: CHK: APPR: | EC NO. DRWN: CHK: APPR: | REVISED 01/10/04 | MATERIAL 材料 | GENERAL TOLERANCES: (UNLESS SPECIFIED) 一般公差 | SCALE 2-1 | DESIGN UNITS mm □ mm □ INCH | THIRD ANGLE PROJECTION | DIMENSIONS: mm □ mm □ INCH □ mm ONLY | SHT REVISE ON CAD ONLY | REV |
| | | | EC NO. J2002-0786 DRWN: S.AKIYAMA CHK: J.MIYAZAWA APPR: YO.ITO | | | | | | | | |
| A | 0 | 0 | RELEASED 01/02/16 | FINISH 仕上げ | 10 OVER 30 UNDER 未満 | ±0.25 | CHECKED BY & DATE <i>J. Mizuno</i> / 3.06 | APPROVED BY & DATE <i>Sh. Hasegawa</i> | MATERIAL NO. SEE CHART | DRAWING NO. SD-51233-008 | SHEET NO. 2 OF 4 |
| | | | EC NO. JD2001-1040 DRWN: S.AKIYAMA CHK: J.MIYAZAWA APPR: H.IKESUGI | | | | | | | | |
| REV | INS. RANGE 被覆外径 | — | — | ANGLE 角度 | ±3° | THIS DRAWING CONTAINS INFORMATION THAT IS PROPRIETARY TO MOLEX INCORPORATED AND SHOULD NOT BE USED WITHOUT WRITTEN PERMISSION. | | | | | SIZE B |

51233008.S02

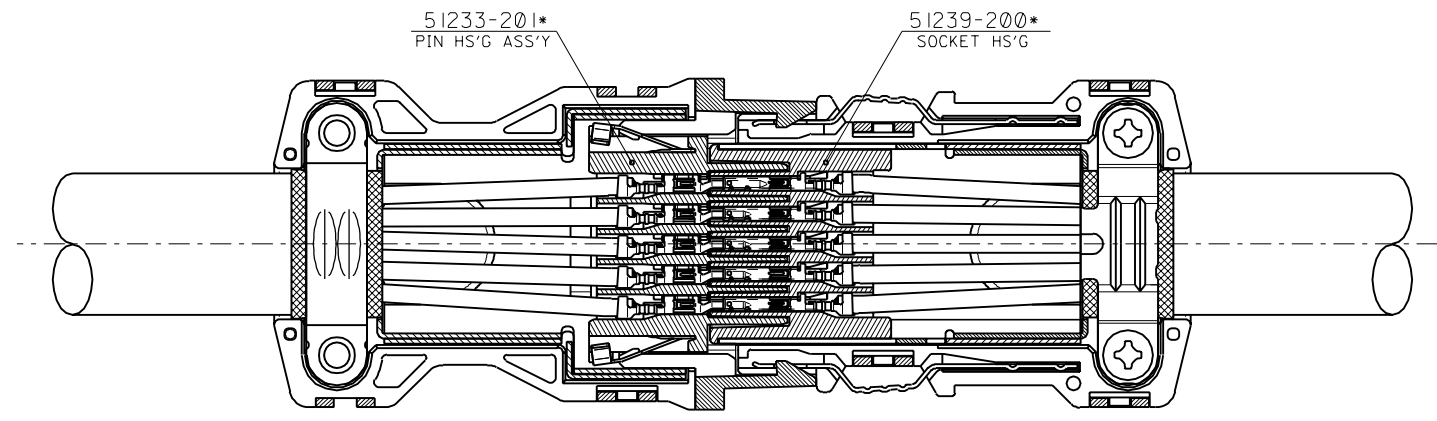
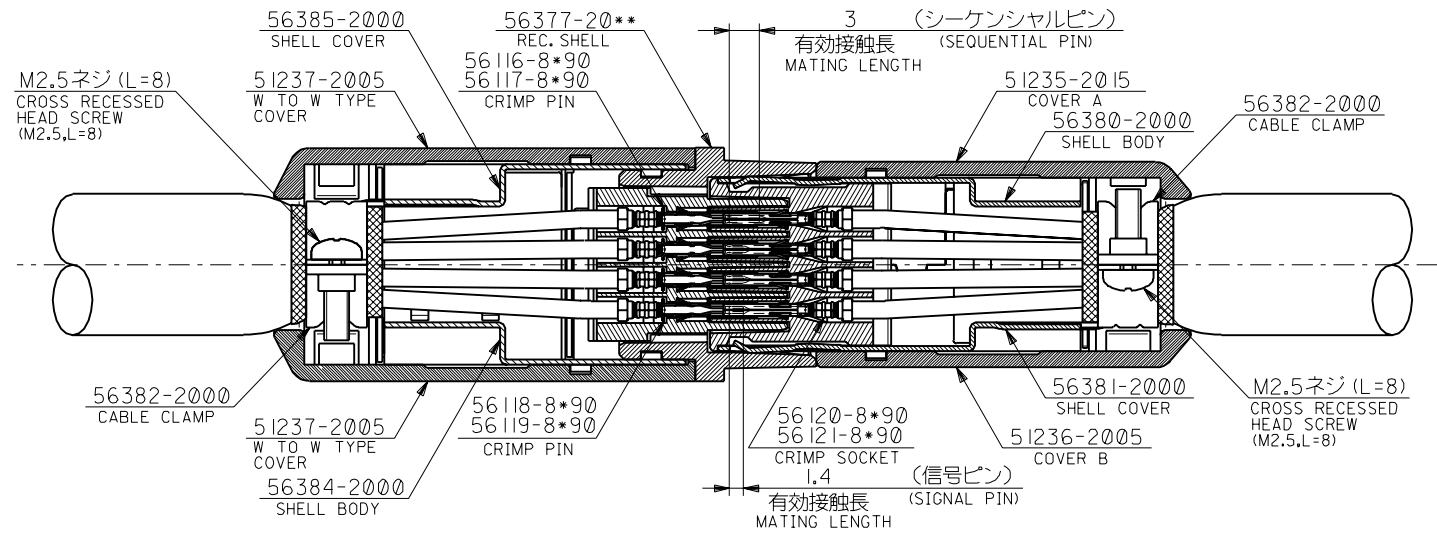


嵌合図 (中継タイプ)
CROSS-SECTION VIEW OF MATED CONNECTOR
(WIRE TO WIRE TYPE)

DO NOT SCALE DRAWING

| | | | | | | | | | | | | |
|----------------------------------|----------------------------------|----------------------------------|---|----------------|---|---------------|--|---|--------------------------------|---------------------------|-----------------------------|---------------------|
| EC NO. DRWN: CHK: APPR: | EC NO. DRWN: CHK: APPR: | EC NO. DRWN: CHK: APPR: | REVISED 01/10/04 | MATERIAL 材料 | GENERAL TOLERANCES: (UNLESS SPECIFIED) 一般公差 | SCALE 2-1 | DESIGN UNITS mm INCH | THIRD ANGLE PROJECTION | DIMENSIONS: mm INCH mm INCH | SHT | REV | |
| | | | EC NO. J2002-0786 DRWN: S.AKIYAMA CHK: J.MIYAZAWA APPR: YO.ITO | | | | | | | | | FINISH 仕上げ |
| A | 0 | 0 | RELEASED 01/02/16 | DESCRIPTION | WIRE RANGE 適用線径範囲 | 30 OVER 以上 | ±0.25 | CHECKED BY & DATE J. Miyazawa / Y. Ito | APPROVED BY & DATE Yo. Ito | MATERIAL NO. SEE CHART | DRAWING NO. SD-51233-008 | SHEET NO. 3 OF 4 |
| | | | EC NO. JD2001-1040 DRWN: S.AKIYAMA CHK: J.MIYAZAWA APPR: H.IKESUGI | | | | | | | | | |
| | | | | | ANGLE 角度 | ±3° | THIS DRAWING CONTAINS INFORMATION THAT IS PROPRIETARY TO MOLEX INCORPORATED AND SHOULD NOT BE USED WITHOUT WRITTEN PERMISSION. | | | | | SIZE B |

DWG. NO.
SD-51233-008



嵌合図 (中継タイプ)
CROSS-SECTION VIEW OF MATED CONNECTOR
(WIRE TO WIRE TYPE)

DO NOT SCALE DRAWING

| | | | | | | | | | | | |
|----------------------------------|----------------------------------|----------------------------------|---|----------------------|---|----------------|--------------------------------|--|---|-----------------------------|---------------------|
| EC NO. DRWN: CHK: APPR: | EC NO. DRWN: CHK: APPR: | EC NO. DRWN: CHK: APPR: | REVISED 01/10/04 | MATERIAL 材料 | GENERAL TOLERANCES: (UNLESS SPECIFIED) 一般公差 | SCALE 2-1 | DESIGN UNITS mm □ mm □ INCH | THIRD ANGLE PROJECTION | DIMENSIONS: □ mm □ INCH ☒ mm □ INCH | SHT | REV |
| | | | EC NO. J2002-0786 DRWN: S.AKIYAMA CHK: J.MIYAZAWA APPR: Y.O.IITO | | | | | | | | |
| A | 0 | 0 | RELEASED 01/02/16 | FINISH 仕上げ | 10 OVER 以上 | 30 UNDER 未満 | ±0.25 | APPROVED BY & DATE <i>J. Miyazawa</i> / 01/25 | MATERIAL NO. SEE CHART | DRAWING NO. SD-51233-008 | SHEET NO. 4 OF 4 |
| | | | EC NO. JD2001-1040 DRWN: S.AKIYAMA CHK: J.MIYAZAWA APPR: H.IKESUGI | | | | | | | | |
| | | | | WIRE RANGE 適用線径範囲 | ANGLE 角度 | ±3° | CAD FILE NAME 51233008.S04 | | | | |
| | | | | INS. RANGE 被覆外径 | | | | | | | |

THIS DRAWING CONTAINS INFORMATION THAT IS PROPRIETARY TO MOLEX INCORPORATED AND SHOULD NOT BE USED WITHOUT WRITTEN PERMISSION.