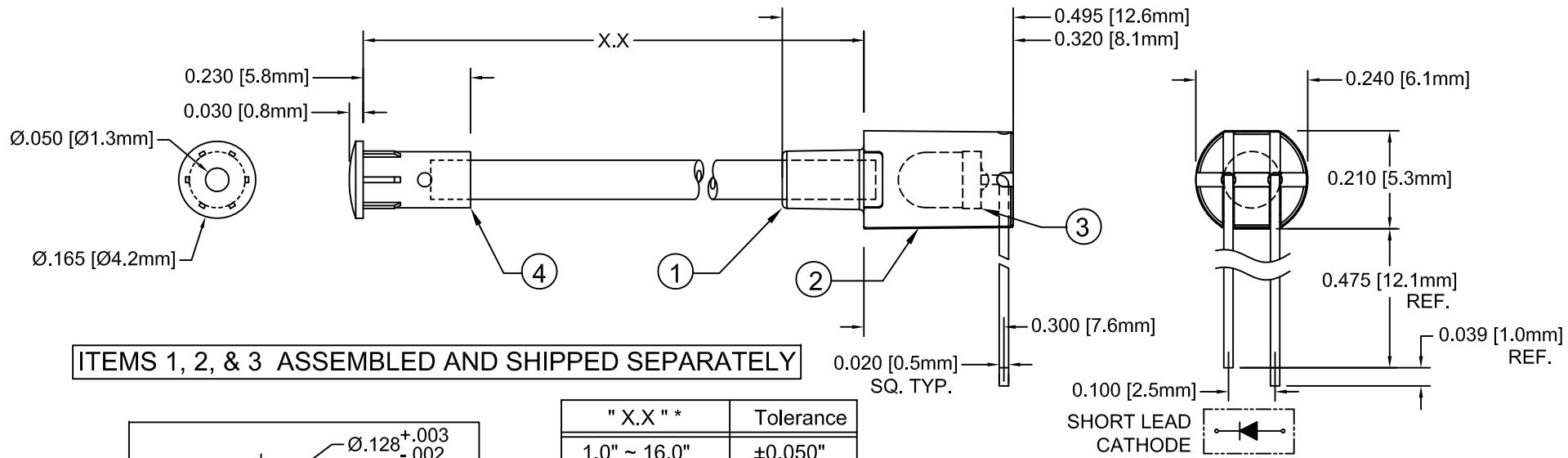
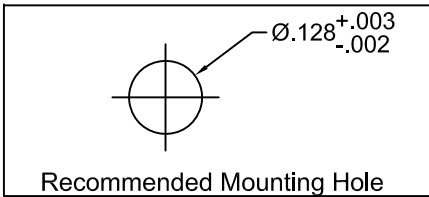


ITEM	Q'TY	PART NUMBER	PART DESCRIPTION
1	1	PML3-1	Bushing, FLeXible Light Pipe Adapter
2	1	PML3-2	Body, Flexible Light Pipe Adapter
3	1	3IR-940	T1 (3mm) Infrared LED
4	1	LC-IR-XX.X	IR Lens Cap / FLPS1022-X.XXX Assembly (X.XXX, Cut Length in Inches)

REV.	DESCRIPTION	DATE	APPROVED
A	Engineering Release.	03/22/10	T. Y.
B	Updated Fiber To FLPS In BOM	11/16/12	T. Y.

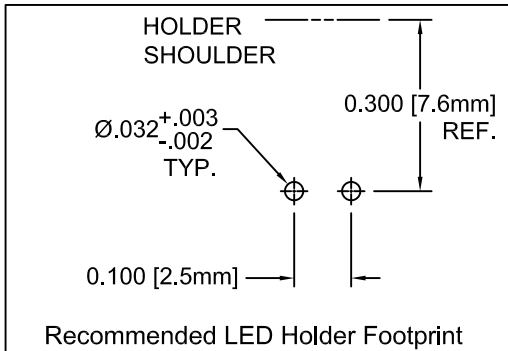


ITEMS 1, 2, & 3 ASSEMBLED AND SHIPPED SEPARATELY



" X.X " *	Tolerance
1.0" ~ 16.0"	±0.050"
16.1" ~ 40.0"	±0.15"
40.1" ~ 80.0"	±0.30"
80.1" ~ 3,940.0"	±0.5%

* Available in 0.1" increments only



LED OPTICAL / ELECTRICAL CHARACTERISTICS					
Parameter	Test Condition	Minimum	Typical	Maximum	Units
Radiant Intensity	I _F = 50mA	11.78	33.4	-	mW/sr
Forward Voltage	I _F = 50mA	-	1.25	1.5	V
Peak Wavelength	I _F = 20mA	-	940	-	nm
Spectral Line-Half Width	I _F = 20mA	-	50	-	nm
Viewing Angle	I _F = 20mA	-	50	-	deg

LED ABSOLUTE MAXIMUM RATINGS		
Parameter	Maximum Rating	Unit
Power Dissipation	100	mW
Continuous Forward Current	100	mA
Peak Forward Current	1.0	A
Reverse Voltage	5	V
Reverse Current	10	uA

Lens Appearance: Blue Transparent

ABSOLUTE TEMPERATURE RATINGS (Ta=25°C)

OPERATING TEMPERATURE RANGE _____ -25° C - 85° C
 STORAGE TEMPERATURE _____ -30° C - 100° C
 LEAD SOLDERING TEMPERATURE(1/16" FROM BODY) _____ 260° C FOR 5 SECONDS

STANDARD TOLERANCE (UNLESS OTHERWISE SPECIFIED)		BIVAR [®]	4 THOMAS, IRVINE, CA. 92618 TEL: (949) 951-8808 FAX: (949) 951-3974
DECIMALS	ANGULAR		
.X ±.1 .XX ±.02 .XXX ±.010	X° ± 1°		
DESIGNED: Raffy Paje	DATE: 03/22/10		TITLE: FLEXIBLE LIGHT-PIPE LED ADAPTER ASSY, IR
CHECKED: T. Yin	DATE: 03/22/10		PART NO: FLPIRRXX.XIR940
			REVISION: B
			CAGE CODE : 32559 SHEET # 1 OF 1
CAD GENERATED DOCUMENT, DO NOT MEASURE DRAWING.			