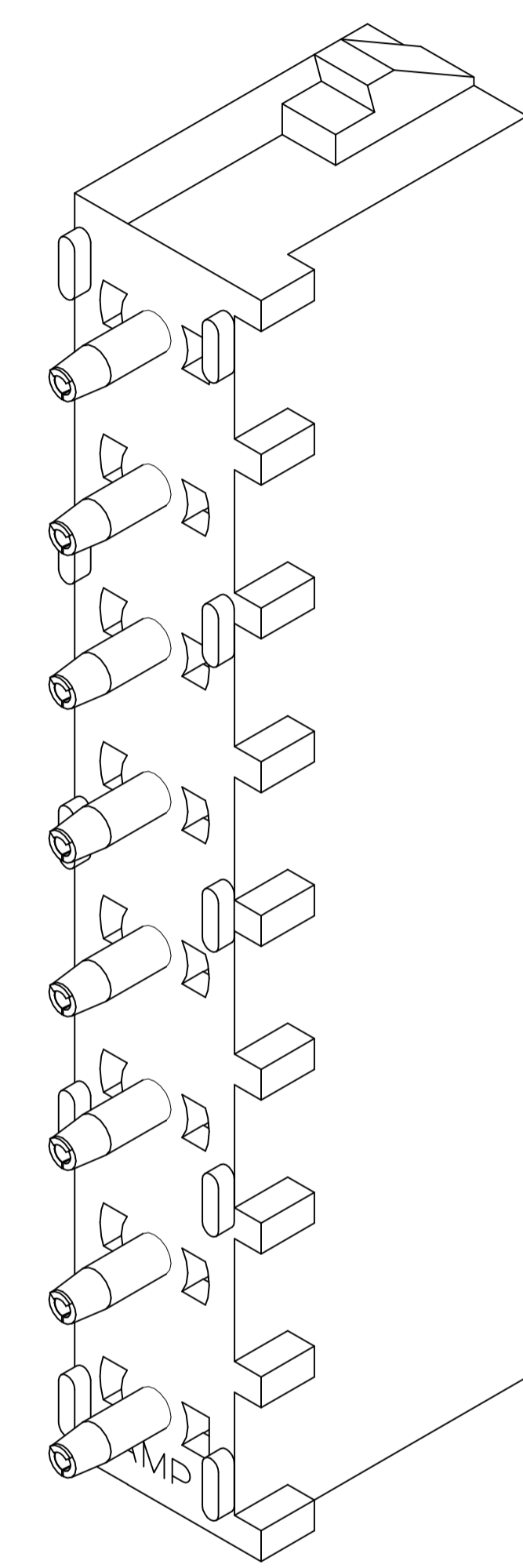
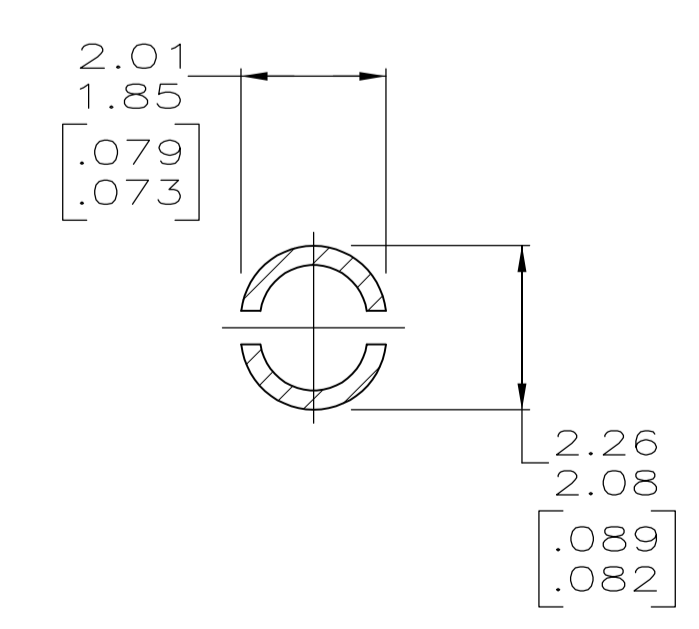
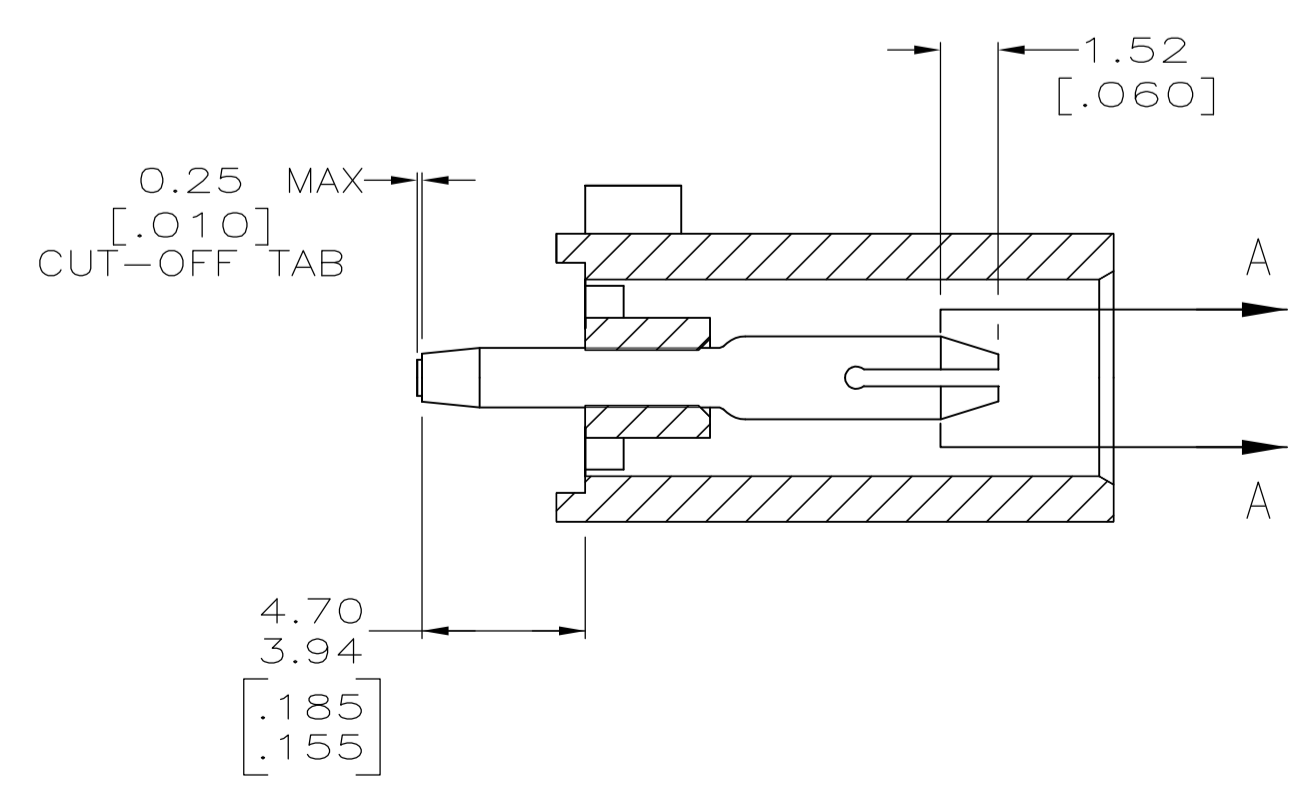


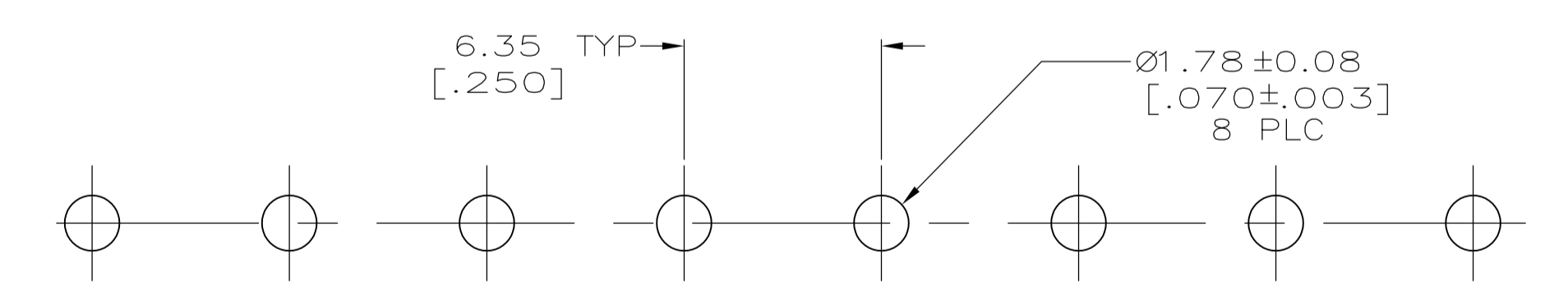
- PARTS COMPLY TO AMP SOLDERABILITY SPECIFICATION 109-11-3.
- CIRCUIT IDENTIFICATION CHARACTERS ARE ADJACENT TO THE INDICATED CAVITIES, BUT LOCATION AND ORIENTATION MAY DIFFER FROM PRINT.
- DIMENSIONS IN BRACKETS ARE IN INCHES.



3-DIMENSIONAL MODEL NTS



SECTION A-A
SCALE 10:1



RECOMMENDED MOUNTING HOLE PATTERN FOR 1.57 [.062] THICK P.C. BOARD

PHOSPHOR BRONZE, PRE-TIN PIN CONTACT MATERIAL AND FINISH		NYLON,UL94V-2,NATURAL HOUSING MATERIAL		641825-1 PART NO	
THIS DRAWING IS A CONTROLLED DOCUMENT.		DIN B LEWIS 10-05-98 CIR R SWING 10-05-98		STE TE Connectivity	
DIMENSIONS: mm [INCHES]		TOLERANCES UNLESS OTHERWISE SPECIFIED:		NAME	
0 PLC ± -		0.13 [0.005]		MTRULL PRODUCT SPEC	
1 PLC ± -		0.13 [0.005]		APPLICATION SPEC	
2 PLC ± -		0.13 [0.005]		SIZE	
3 PLC ± -		0.13 [0.005]		CASE CODE	
4 PLC ± -		0.13 [0.005]		DRAWING NO	
ANGLES ± #°30'		WEIGHT		RESTRICTED TO	
MATERIAL SEE TABLE		FINISH SEE TABLE		A1 00779 C=641825	
CUSTOMER DRAWING				SCALE 5:1 SHEET 1 OF 1 REV J1	

