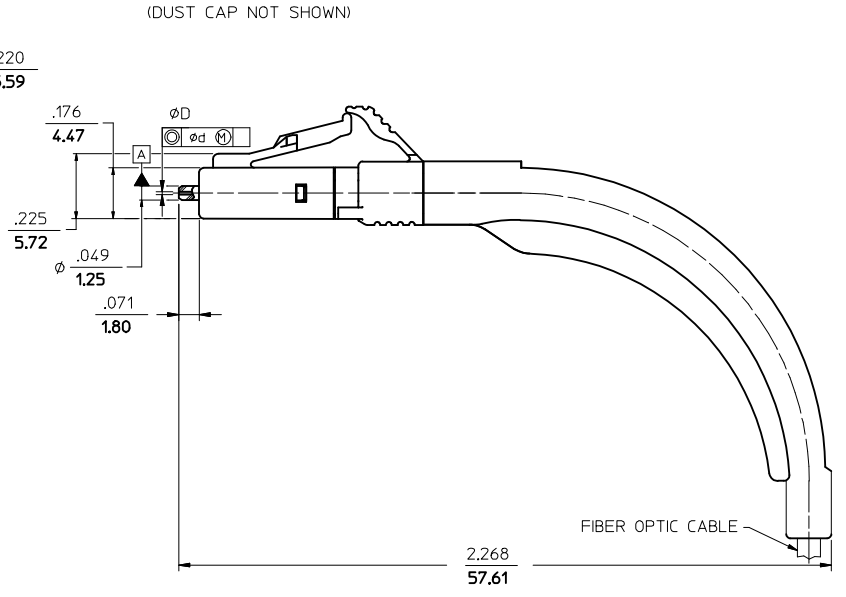
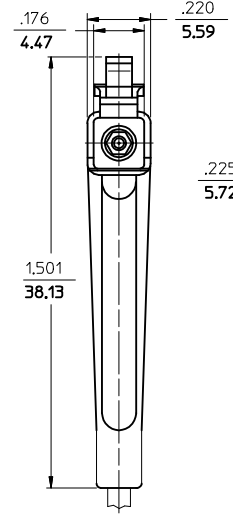


| CONNECTOR P/N | ØD (Hm)             | Ød (Hm) | CONNECTOR BODY COLOR | BOOT COLOR | CABLE Ø (mm) | CABLE TYPE  |
|---------------|---------------------|---------|----------------------|------------|--------------|-------------|
| 106024-2400   | 125.50 $^{+0.50}_0$ | 1.0     | BLUE                 | WHITE      | 1.6          | SINGLE MODE |
| 106024-2600   |                     |         |                      | WHITE      | 2.0          |             |
| 106024-3400   | 127.00 $^{+2.00}_0$ | 3.0     | BEIGE                | WHITE      | 1.6          | MULTIMODE   |
| 106024-3600   |                     |         |                      | BEIGE      | 2.0          |             |
| 106024-3610   |                     |         |                      |            |              |             |
| 106024-4400   |                     |         |                      |            |              |             |
| 106024-4600   | 126.00 $^{+1.00}_0$ | 1.0     | BLUE                 | WHITE      | 1.6          | SINGLE MODE |
| 106024-5400   |                     |         |                      | BEIGE      | 2.0          |             |
| 106024-2610   |                     |         |                      | WHITE      | 1.6          |             |
| 106024-5600   |                     |         |                      | YELLOW     | 2.0          |             |
| 106024-5610   |                     |         |                      | RED        | 2.0          |             |
| 106024-5700   | 125.25 $^{+0.50}_0$ | 0.5     | BLUE                 | WHITE      | 1.6          | SINGLE MODE |
| 106024-6400   |                     |         |                      | WHITE      | 2.0          |             |
| 106024-6600   | 125.10-125.50       | 0.5     | BLUE                 | WHITE      | 1.6          | SINGLE MODE |
| 106090-4150   |                     |         |                      | WHITE      | 2.0          |             |
| 106090-4170   | 125.51-125.90       | 0.5     | BLUE                 | WHITE      | 1.6          | SINGLE MODE |
| 106090-4180   |                     |         |                      | WHITE      | 2.0          |             |
| 106090-4190   | 125.50 $^{+0.50}_0$ | 0.5     | BLUE                 | WHITE      | 1.6          | SINGLE MODE |
| 106090-2940   |                     |         |                      | WHITE      | 2.0          |             |
| 106090-2960   | 125.00 $^{+0.50}_0$ | 0.5     | BLUE                 | WHITE      | 1.6          | SINGLE MODE |
| 106090-4140   |                     |         |                      | WHITE      | 2.0          |             |
| 106090-4160   | 125.25 $^{+0.50}_0$ | 0.5     | BLUE                 | WHITE      | 1.6          | SINGLE MODE |
| 106090-6140   |                     |         |                      | WHITE      | 2.0          |             |
| 106090-6160   | 125.25 $^{+0.50}_0$ | 0.5     | BLUE                 | YELLOW     | 1.6          | SINGLE MODE |
| 106090-6170   |                     |         |                      | WHITE      | 2.0          |             |
| 106090-6145   | 125.25 $^{+0.50}_0$ | 0.5     | BLUE                 | WHITE      | 1.6          | SINGLE MODE |
| 106090-6165   |                     |         |                      | WHITE      | 2.0          |             |
| 106090-6175   |                     |         |                      | YELLOW     | 1.6          |             |



|   |                                    |   |         |                                     |                     |                                  |                               |
|---|------------------------------------|---|---------|-------------------------------------|---------------------|----------------------------------|-------------------------------|
| <b>ENTER DESCRIPTION</b><br>EC NO: MF2013-0244<br>DRWNGKPEVZNER 2012/10/29<br>CHKD: LGJMIN<br>APPR: LGJMIN 2012/10/31 | <b>QUALITY SYMBOLS</b><br>=0<br>=0 | <b>GENERAL TOLERANCES (UNLESS SPECIFIED)</b>  |         | <b>DIMENSION STYLE</b><br>IN/MM     | <b>SCALE</b><br>4:1 | <b>DESIGN UNITS</b><br>INCH      | <b>THIRD ANGLE PROJECTION</b> |
|   |                                    | 4 PLACES ± --- ± ---<br>3 PLACES ± --- ± ---<br>2 PLACES ± --- ± ---<br>1 PLACE ± --- ± ---<br>0 PLACE ± ±                    | mm INCH | DRAWN BY DATE<br>PGIBLIN 2005/09/02 | CHECKED BY DATE     | TITLE<br>LC CONNECTOR (90D BOOT) |                               |
|   |                                    | DRAFT WHERE APPLICABLE MUST REMAIN WITHIN DIMENSIONS  |         | MATERIAL NO.<br><b>SEE TABLE</b>    | APPROVED BY DATE    | DOCUMENT NO.<br>SD-1060BB-BBBB   | SHEET NO.<br>1 OF 1           |
|   |                                    | THIS DRAWING CONTAINS INFORMATION THAT IS PROPRIETARY TO MOLEX INCORPORATED AND SHOULD NOT BE USED WITHOUT WRITTEN PERMISSION |         |                                     |                     |                                  |                               |