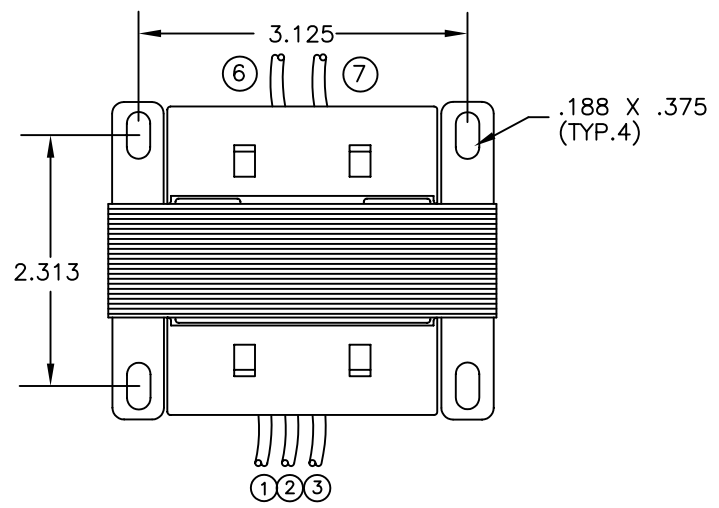


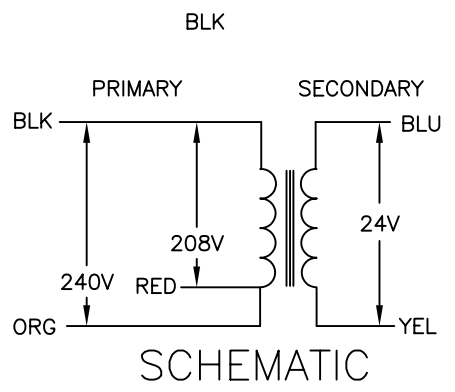
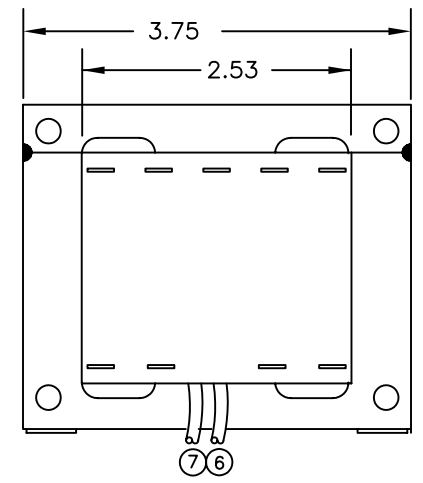
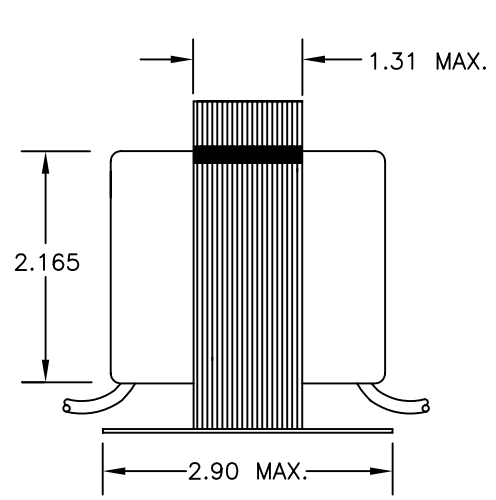
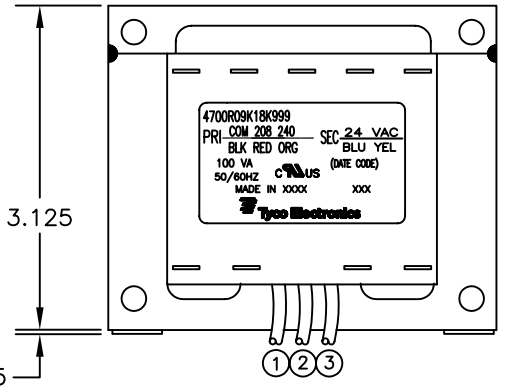
THIS DRAWING IS UNPUBLISHED. RELEASED FOR PUBLICATION
 © COPYRIGHT BY TYCO ELECTRONICS CORPORATION. ALL RIGHTS RESERVED.

LOC	DIST	REVISIONS					
GZ	00	P	LTR	DESCRIPTION	DATE	DWN	APVD
		A		NPR-PU08-041	22APR08	KH	HT



SEE NOTE #5

ALL LEADS 18AWG-UNLESS OTHERWISE SPECIFIED					NOTES				CERTIFICATION: UL/CUL FILE NO. E102980					
PRIMARY					1. DIMENSIONS FOR REFERENCE ONLY.				SECONDARY					
LEAD NO.	1	2	3	4	5	2. ALL LEADS +1"/-0" TOL.				LEAD NO.	6	7	8	9
VOLTAGE	COM	208	240			3. STRIP TOL. ±1/32				VOLTAGE	24	VAC		
COLOR	BLK	RED	ORG			4. WINDING PROTECTION-NONE				COLOR	BLU	YEL		
LENGTH	12.0	12.0	12.0			5. BOBBIN IS RYNITE FR530 (C1320-006)				LENGTH	12.0	12.0		
STRIP LENGTH	.50	.50	.50							STRIP LENGTH	.50	.50		



TYCO ELECTRONICS PART NUMBER
3-1611473-3

THIS DRAWING IS A CONTROLLED DOCUMENT.		DWN	K.H.	22APR08	Tyco Electronics Tyco Electronics Corporation Harrisburg, PA 17105-3608		
DIMENSIONS: INCHES		CHK	DH	22APR08	NAME		
TOLERANCES UNLESS OTHERWISE SPECIFIED:		APVD	HT	22APR08	PRODUCT SPEC		
0 PLC ± -		APPLICATION SPEC		TRANSFORMER OUTLINE P.U. STOCK			
1 PLC ± -		WEIGHT		SIZE	CAGE CODE	DRAWING NO	RESTRICTED TO
2 PLC ± .01		CUSTOMER DRAWING		A3	00779	C=4700R09K18K999	
3 PLC ± .005		SCALE		NTS		SHEET	1 OF 1
4 PLC ± -		REV		A			
ANGLES ± -							
MATERIAL							
FINISH							