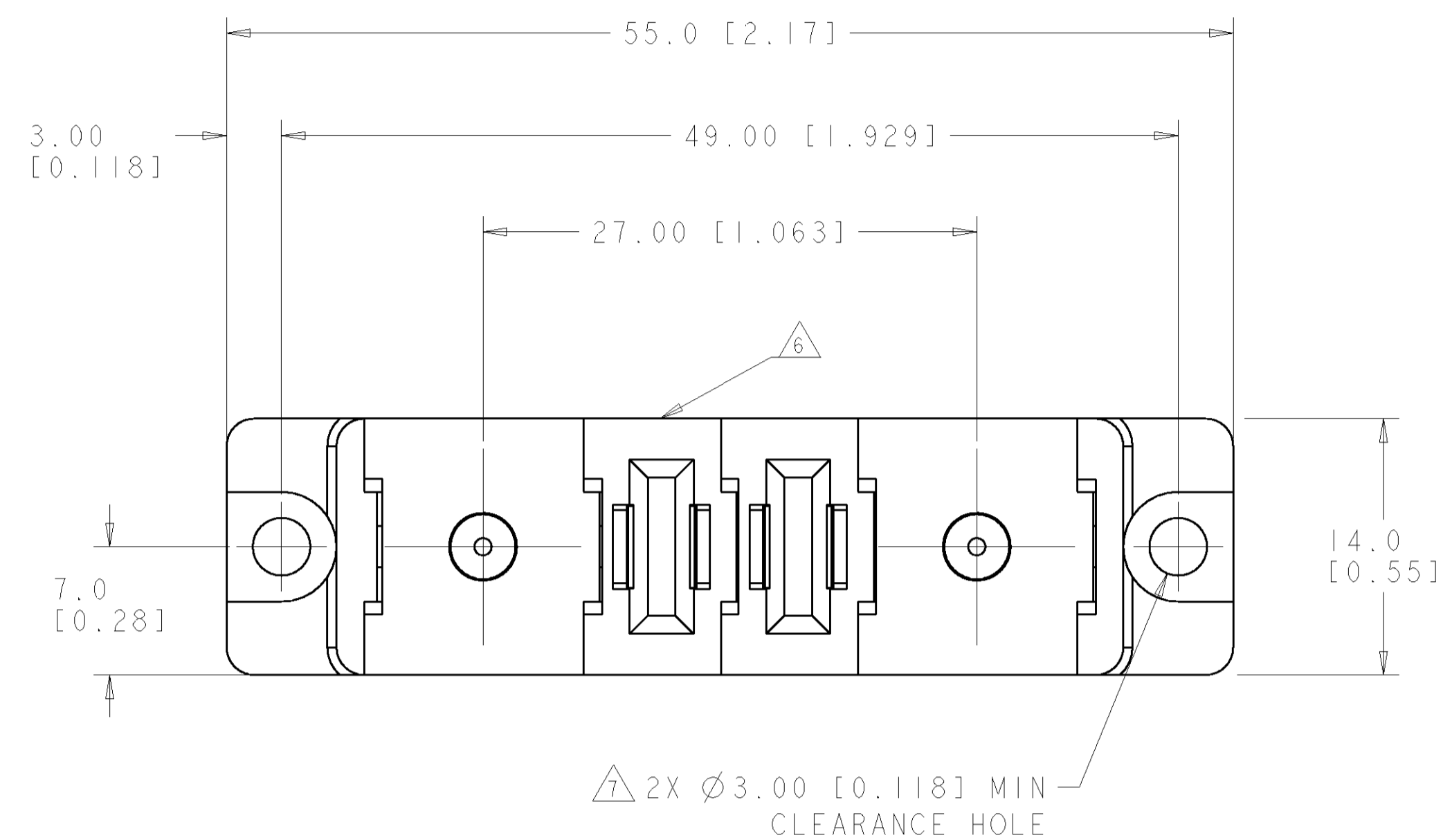


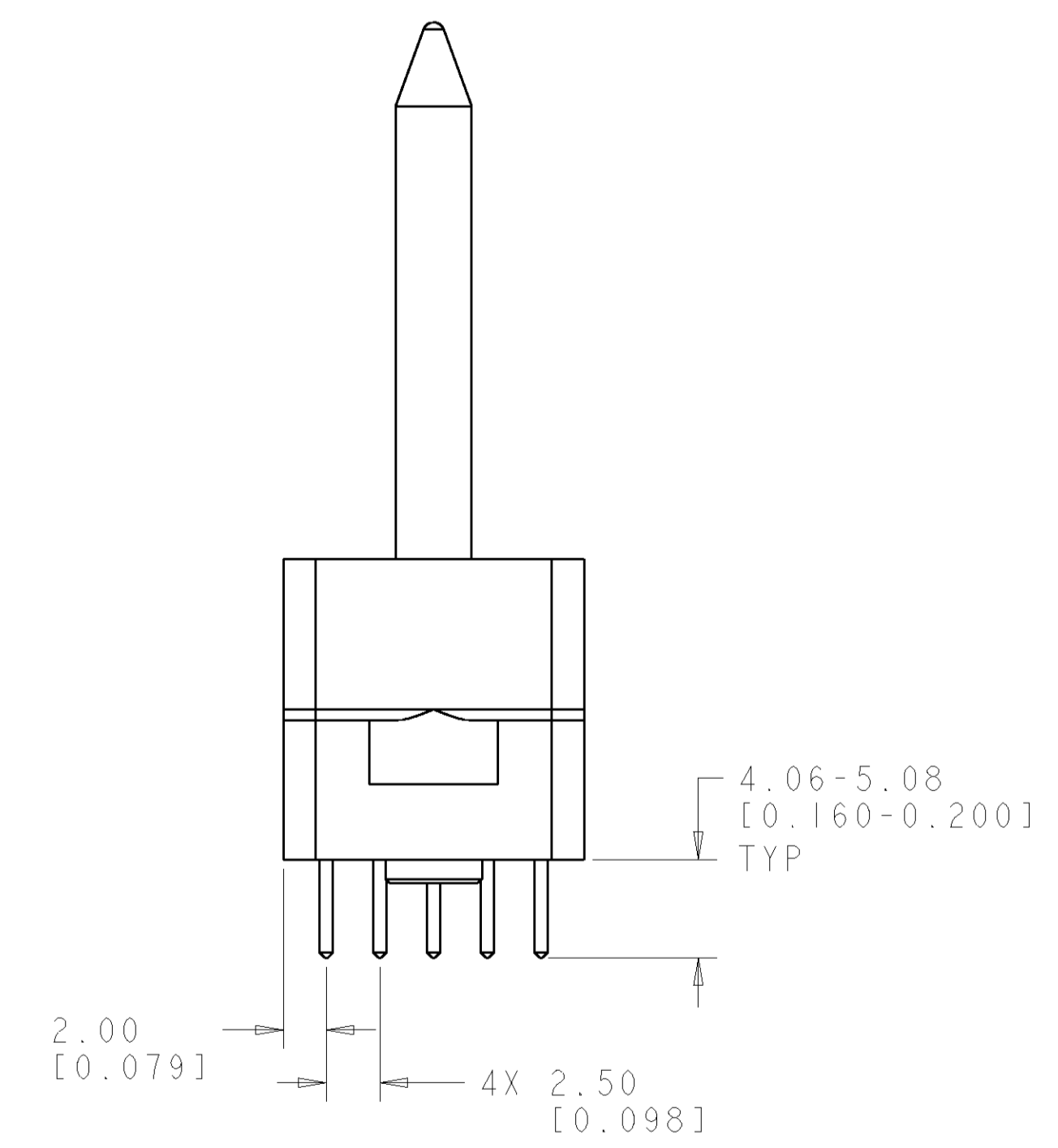
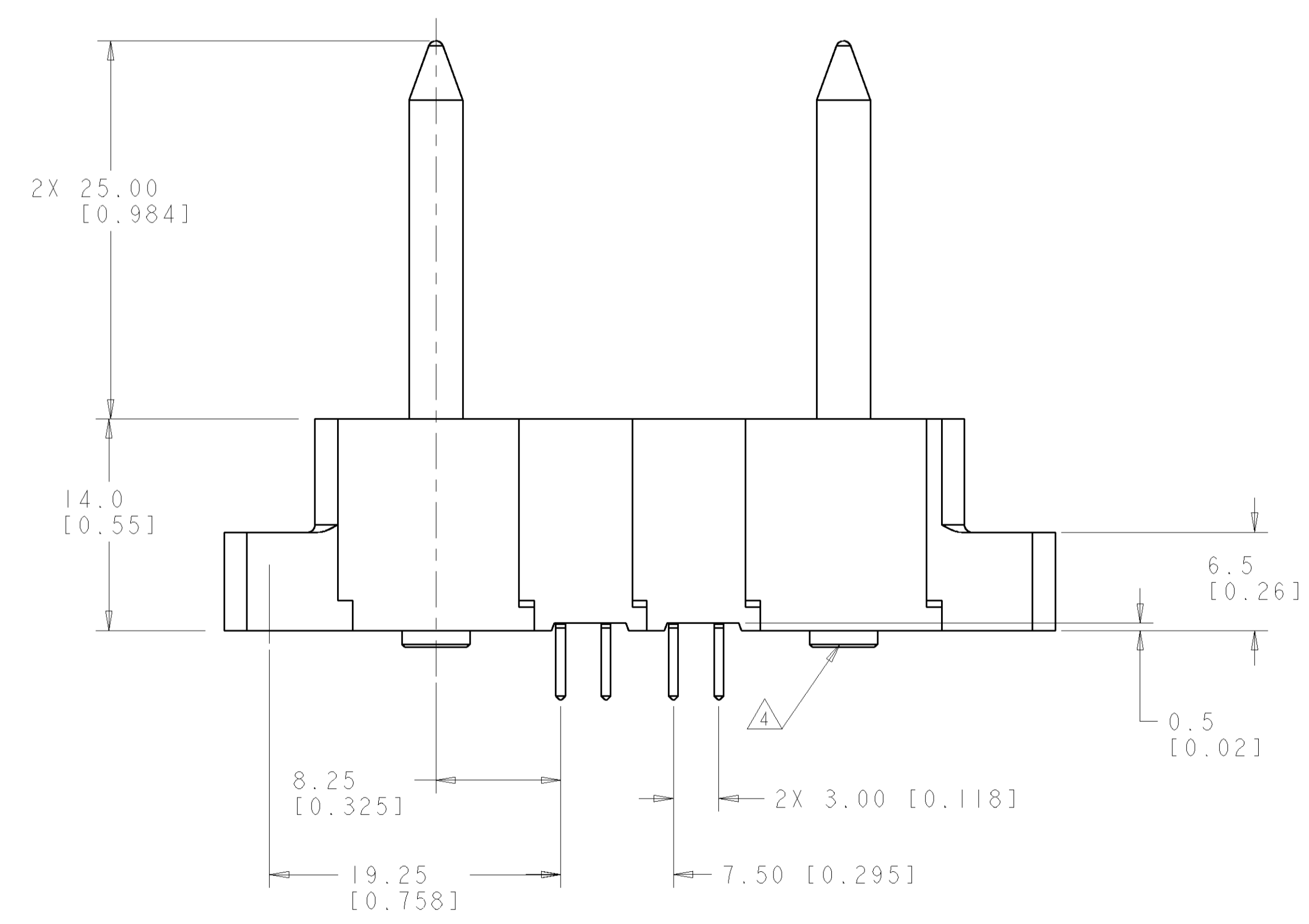
LOC		DIST		REVISIONS			
GP	00	P	LTR	DESCRIPTION	DATE	DRN	APVD
		A		RELEASED	15FEB2007	RG	PD



- PART NUMBER CHANGES AND OR DESIGN CHANGES AFFECTING ITEM INTERCHANGEABILITY REQUIRE PRIOR TYCO APPROVAL AND AUTHORIZATION BY REVISION TO THIS DRAWING.
- MATERIAL:
 - INSULATORS - THERMOPLASTIC, GLASS REINFORCED, COLOR: BLACK UL94V-0 FLAMMABILITY RATED.
 - POWER CONTACTS - PHOSPHOR BRONZE ALLOY, COPPER ALLOY
 - CROWN BAND-BERYLLIUM COPPER ALLOY
 - GUIDE PIN-COPPER ALLOY
- FINISH:
 - CONTACTS - GOLD PLATE .000030" MIN. THK., OVER NICKEL .000040" MIN. THK.
 - TERMINALS- TIN .000120" MIN. THK, OVER NICKEL .000040 MIN THK.
 - GUIDE PIN - SILVER PLATE .000200" MIN THK. OVER NICKEL .00004" MIN THK.
- ACTIVE GUIDE PIN ACCEPT M3 SCREWS, (USER SUPPLIED)
- THIS CONNECTOR MATES WITH SOCKET CONNECTOR PN 1926310-1
- ITEMS PROVIDED TO THIS SPECIFICATION TO BE PERMANENTLY IDENTIFIED PER THE FOLLOWING IDENTIFIER LABEL

YEAR WEEK
 TYCO PART NO. DATE CODE (e.g. 0106)
 XXXXXXXX-X XXXX

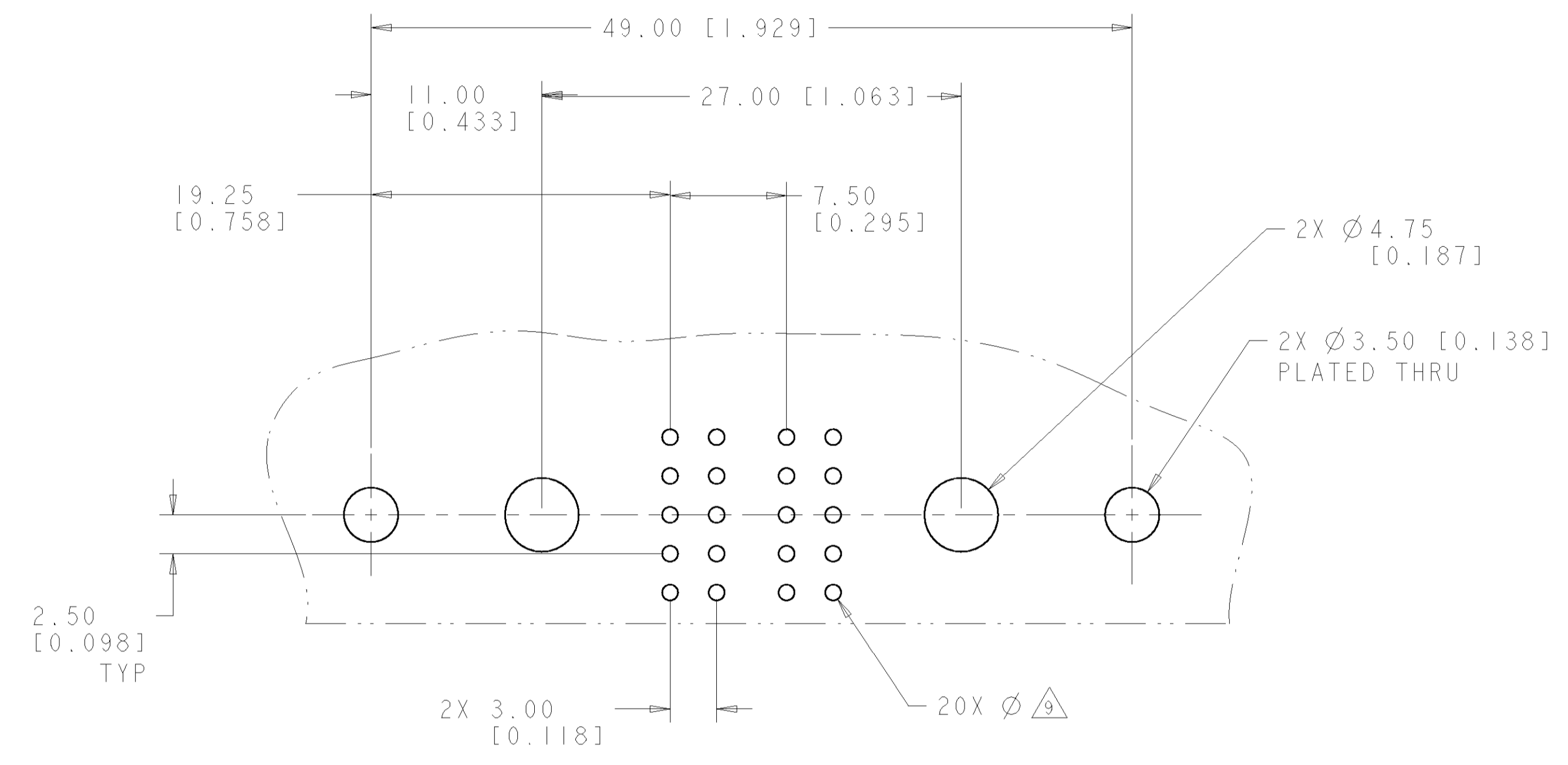
△ MOUNTING FLANGES ACCEPT #6 SCREWS. (USER SUPPLIED)



ELCON FLATPAQ

DIMENSIONS:		TOLERANCES UNLESS OTHERWISE SPECIFIED:		DWN B. GRZYBOWSKI 01DEC06		AS SHOWN		1926311-1	
mm [INCHES]		0 PLC ± .		CHK P. DAMATO 01DEC06		DESCRIPTION		PART NUMBER	
1 PLC ± .5 [.020]		2 PLC ± .25 [.010]		APVD S. FLICKINGER 01DEC06		tyco		Tyco Electronics	
3 PLC ± .		4 PLC ± .		PRODUCT SPEC		Electronics		Harrisburg, PA 17105-3608	
ANGLES		FINISH		APPLICATION SPEC		NAME		SOCKET CONNECTOR	
MATERIAL		FINISH		WEIGHT		SIZE		CAGE CODE	
-		-		-		A100779		C=1926311	
CUSTOMER DRAWING		SCALE		SHEET		OF		REV	
-		2:1		1		3		A	

LOC	DIST	REVISIONS			
P	LTR	DESCRIPTION	DATE	DRN	APVD
-	-	SEE SHEET 1	-	-	-



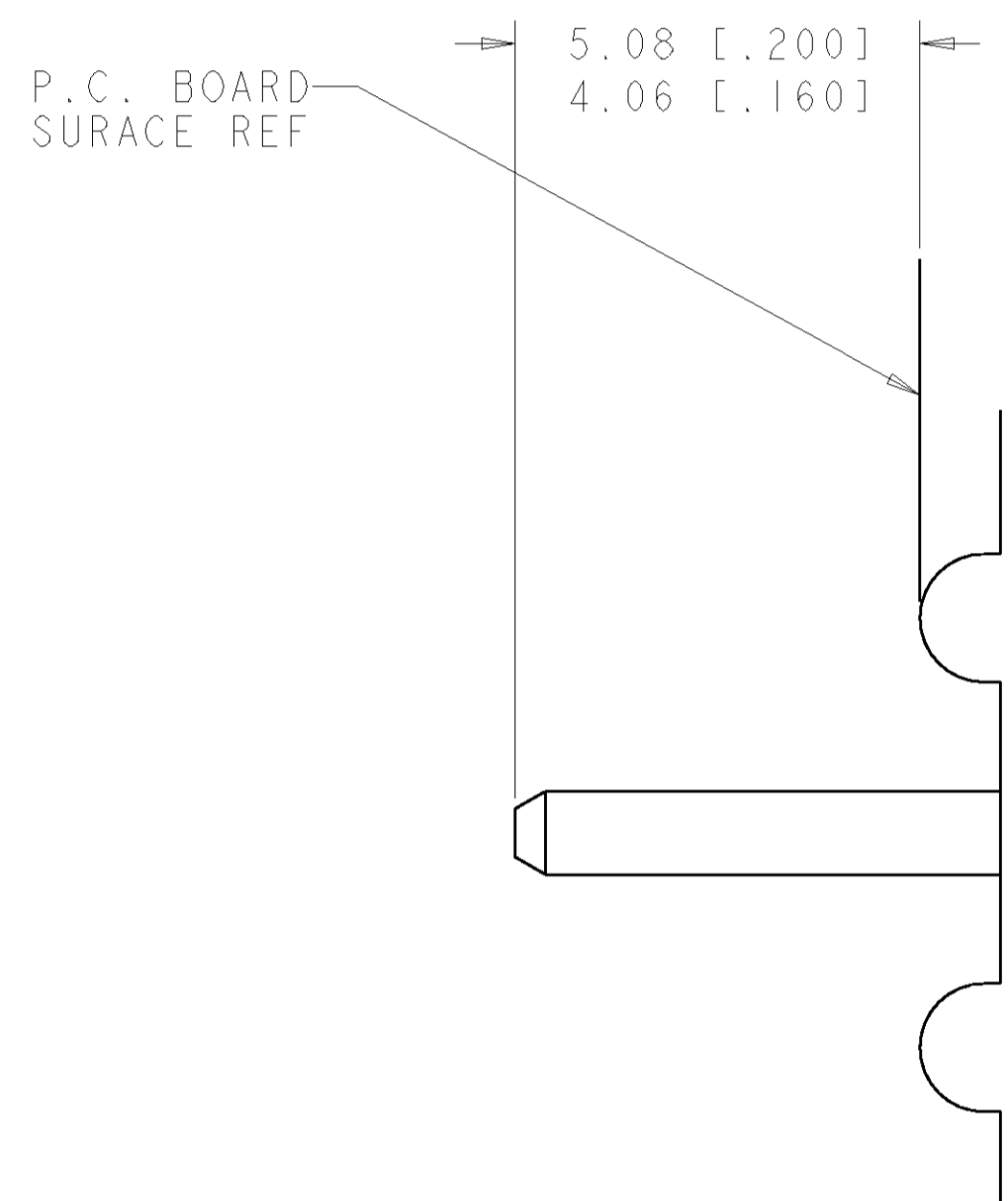
PRINTED CIRCUIT LAYOUT
 COMPONENT SIDE

CONNECTOR	CATALOG MODULE #	QTY	SIZE NO.	CONTACT QTY	MATING PIN	MAX. CURRENT (PER CONTACT)	CONTACT SPACING	VOLTAGE RATING
SOCKET	FP100	2	8	4	1.25 X 7.00 [.049 X .276]	35 amps	7.50 [0.295]	250 VOLTS
	FP515	2	ACTIVE STRAIGHT GUIDE PIN					
	FP500	1	MOUNTING FLANGE, LEFT					
	FP501	1	MOUNTING FLANGE, RIGHT					

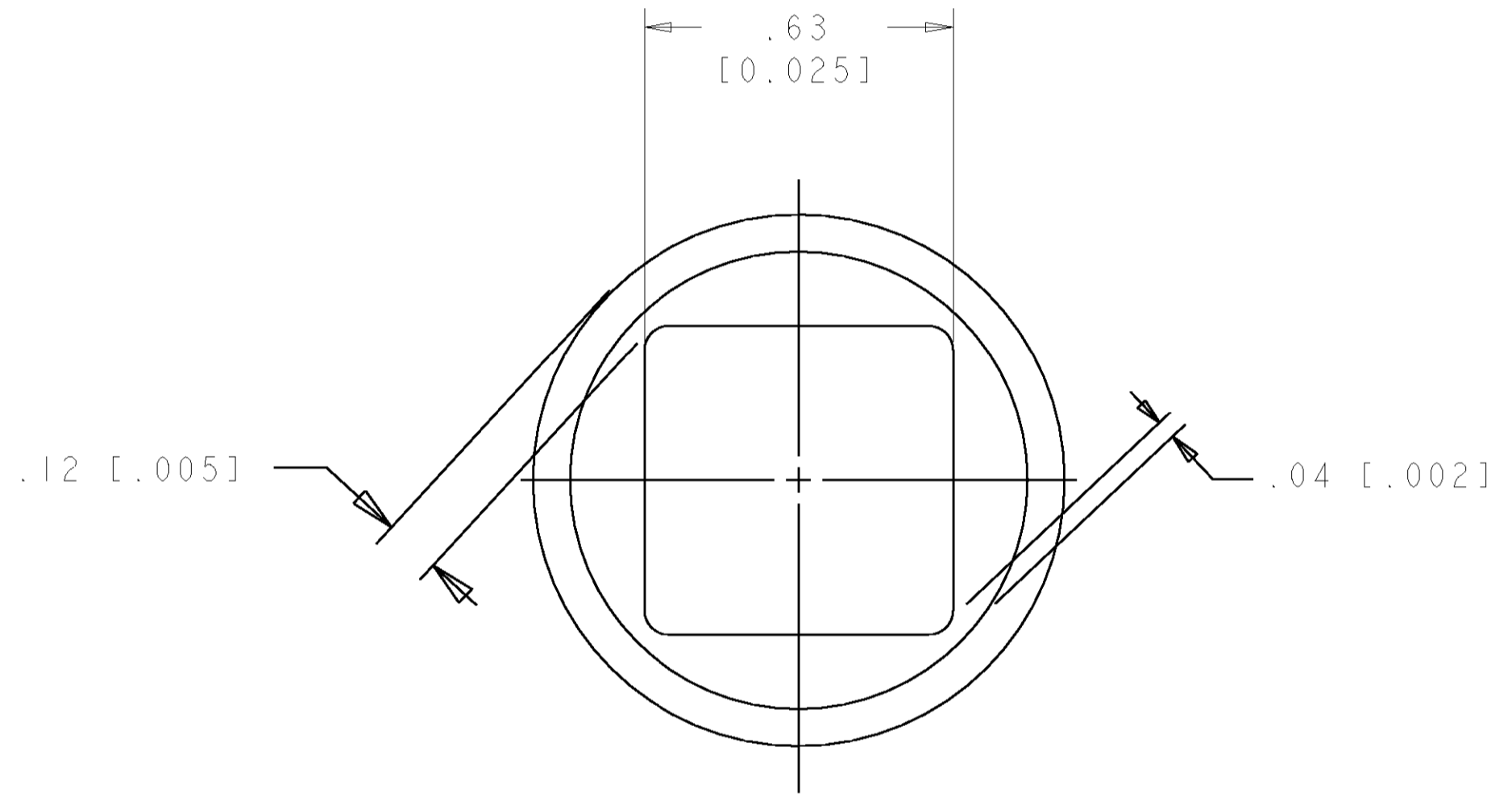
ELCON FLATPAQ

<small>THE DIMENSIONS OF CONDUCTIVE SURFACES FROM THE REFERENCE SURFACE TO THE DIMENSION LINE SHALL BE TO THE CENTER OF THE CONTACT UNLESS OTHERWISE SPECIFIED.</small>		DRN: B. GRZYBOWSKI 01DEC06 CHK: P. DAMATO 01DEC06 APVD: S. FLICKINGER 01DEC06	tyco Electronics Tyco Electronics Harrisburg, PA 17105-3608
DIMENSIONS: mm [INCHES]	TOLERANCES UNLESS OTHERWISE SPECIFIED: 0 PLC ± 1 PLC ±.5 (.020) 2 PLC ±.25 (.010) 3 PLC ± 4 PLC ± ANGLES ±.5	NAME: SOCKET CONNECTOR STRAIGHT, SOLDER TAILS FLATPAQ PRODUCT SPEC: APPLICATION SPEC:	SIZE: A 00779 C=1926311 RESTRICTED TO:
MATERIAL: -	FINISH: -	WEIGHT: -	SCALE: 2:1 SHEET 2 OF 3 REV A

LOC	DIST	REVISIONS			
P.	LTR	DESCRIPTION	DATE	DWN	APVD
GP	00	SEE SHEET 1	-	-	-



8. SOLDER PIN DETAIL
SCALE 10 : 1



9. SOLDER TERMINATION AREA
 SCALE 40:1
 RECOMMENDED PRINTED CIRCUIT SOLDER HOLE
 FINISHED HOLE: $\varnothing 1.02 [0.040] \pm .08 [0.003]$
 DRILLED HOLE: $\varnothing 1.15 [0.0453] \pm .013 [0.0005]$
 COPPER PLATE: .025 [.0010] MIN
 TIN PLATE: .008 [.0003] MIN. (PER SURFACE)

<small>THIS DRAWING IS UNPUBLISHED. RELEASED FOR PUBLICATION. THIS DRAWING IS THE PROPERTY OF TYCO ELECTRONICS CORPORATION. IT IS TO BE USED ONLY FOR THE PURPOSES AND ORGANIZATION SPECIFIED HEREON. ANY OTHER USE IS STRICTLY PROHIBITED. CONTACT TYCO ELECTRONICS CORPORATION FOR FURTHER INFORMATION.</small>		DWN B. GRZYBOWSKI 01DEC06 CHK P. DAMATO 01DEC06 APVD S. FLICKINGER 01DEC06	tyco Harrisburg, PA 17105-3608 Electronics
DIMENSIONS: mm [INCHES]	TOLERANCES UNLESS OTHERWISE SPECIFIED: 0 PLC ± 1 PLC ±.5 [.020] 2 PLC ±.25 [.010] 3 PLC ± 4 PLC ± ANGLES ±.5	NAME SOCKET CONNECTOR STRAIGHT, SOLDER TAILS FLATPAQ	SIZE CAGE CODE DRAWING NO A100779C=1926311
MATERIAL	FINISH	WEIGHT	RESTRICTED TO
-	-	-	-
CUSTOMER DRAWING		SCALE 2:1	SHEET 3 OF 3 REV A