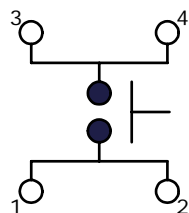
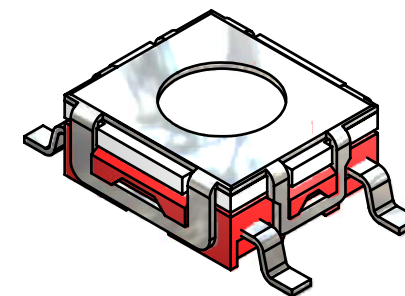
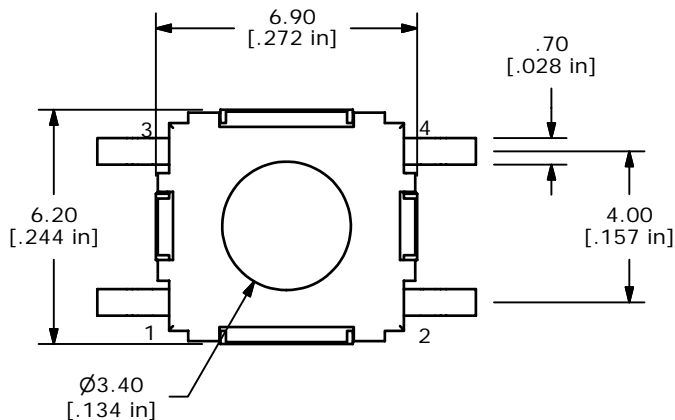


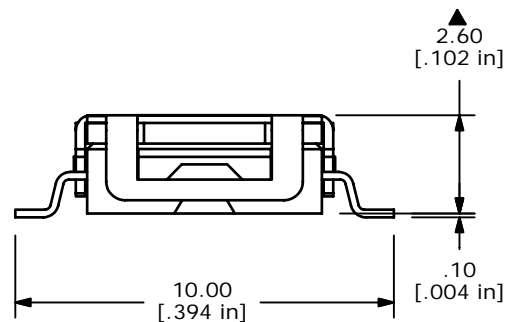
P.C.B. MOUNTING LAYOUT



CIRCUIT: SPST



ISOMETRIC



NOTES:

- 1. GENERAL TOLERANCE: x.x ± 0.4  
x.xx ± 0.25
- 2. RATING: 50mA@12VDC
- 3. TRAVEL: 0.35±0.2mm
- 4. CONTACT RESISTANCE: 100m OHMS
- 5. LIFE CYCLES: 100,000 CYCLES
- ▲6. OPERATING FORCE: 260± 50gf
- 7. ▲DENOTES CRITICAL PARAMETER
- 8. PACKAGE: TAPE AND REEL, 1400 PIECES PER REEL
- 9. 2002/95/EC (ROHS) COMPLIANT
- ▲10. CONTACT MATERIAL: SILVER

**E-SWITCH®**

TITLE TL6700NF260QG

A	16653	RELEASED FOR PRODUCTION	11/14/2006	TN
REV	PCR NO	DESCRIPTION	DATE	BY

SCALE	DATE	DR	DWG	REV
5:1	11/14/2006	TN	P010459	A

THE INFORMATION CONTAINED IN THIS DOCUMENT IS PROPRIETARY TO E-SWITCH AND IS NOT TO BE COPIED OR TRANSFERRED