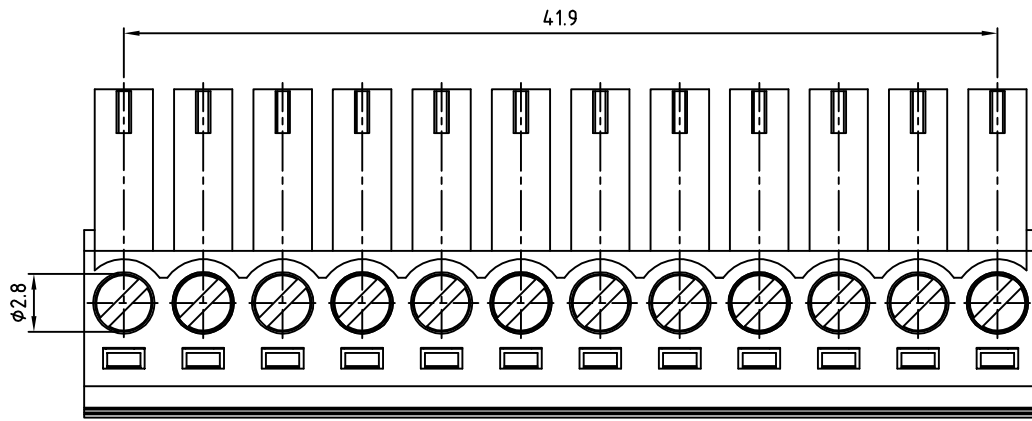


| | | | |
|------|------|--|----------|
| SIGN | DATE | DESCRIPTION | APPROVER |
| | | THIS IS CAD DRAWING, DO NOT REVISE MANUALLY!!! | |



Material

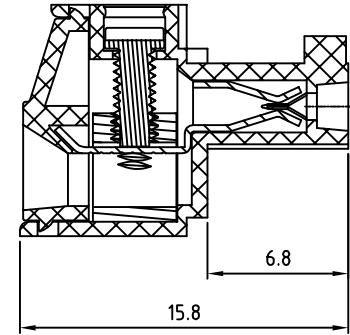
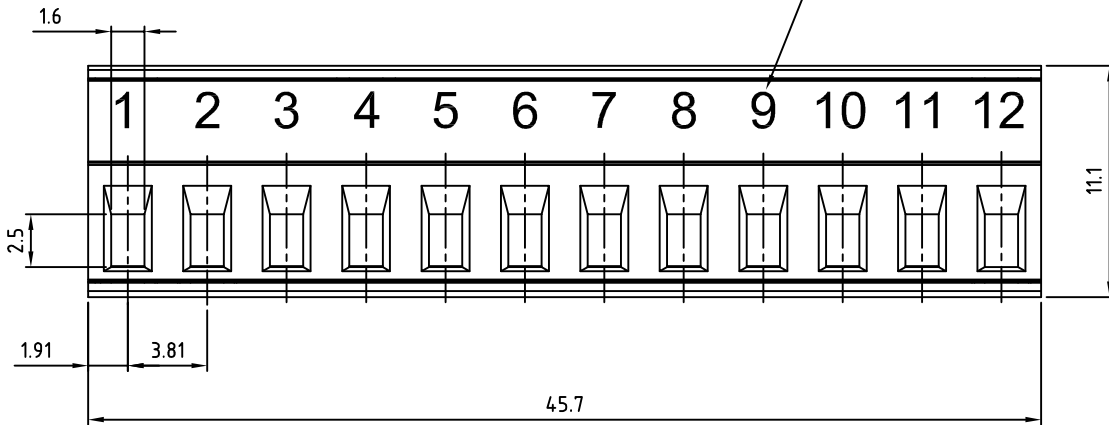
- Terminal body(metal housing): Brass(CuZn)
- Terminal screw: Steel Zinc plating "-" slot type
- Wire guard: PhBz ,Tin plated
- Insulator (Cover): Thermoplastic (UL94V-0)
- Insulator (Body): Thermoplastic (UL94V-0)

Electrical cULus/CSA/VDE

- Voltage rating: 300VAC/125VAC/125VAC
- Current rating: 10A/8A/10.5A
- Wire range: 1.5mm²
Solid wire(AWG): 16-26/16-26
Stranded wire(AWG): 16-26/16-26
- Torque: 3Lb-In/3.5kgf.cm
- Screw: M2
- Wire strip length: 6-7mm
- Withstanding Voltage: 1.6KV/1.6KV/2.5KV
- Operating temperature: -30°C to +105°C
- Safety Approval:

RoHS Compliant

Text color(Black/pad print)
Font : Arial
Text height : 2.2mm



THESE DRAWINGS AND SPECIFICATIONS ARE THE PROPERTY OF ON-SHORE TECHNOLOGY, INC. AND SHALL NOT BE REPRODUCED, COPIED OR USED IN ANY MANNER WITHOUT THE PRIOR WRITTEN CONSENT OF ON-SHORE TECHNOLOGY, INC.

| | | | | | |
|-------------------|----------------------|---|----------------------|--------------|------------|
| TITLE | | OSTTJ-3.81mm Series 12p green with balck print 1 2 3...12 | | | |
| PART NO. | OSTTJ1231530M02 | DWG NO. | OSTTJ1231530M02.DWG | | |
| APPROVED | CHECKED | DESIGNED | DRAWN | CUST NO. | Tolerance |
| Lee 2007.11.20 | Marvin 2007.11.20 | Marvin 2007.11.20 | Marvin 2007.11.20 | | X. ±0.50 |
| | | | | | UNIT: mm |
| | | | | SHEET: 01/01 | X.XX ±0.10 |
| | | | | REV.: B | X° ±1° |