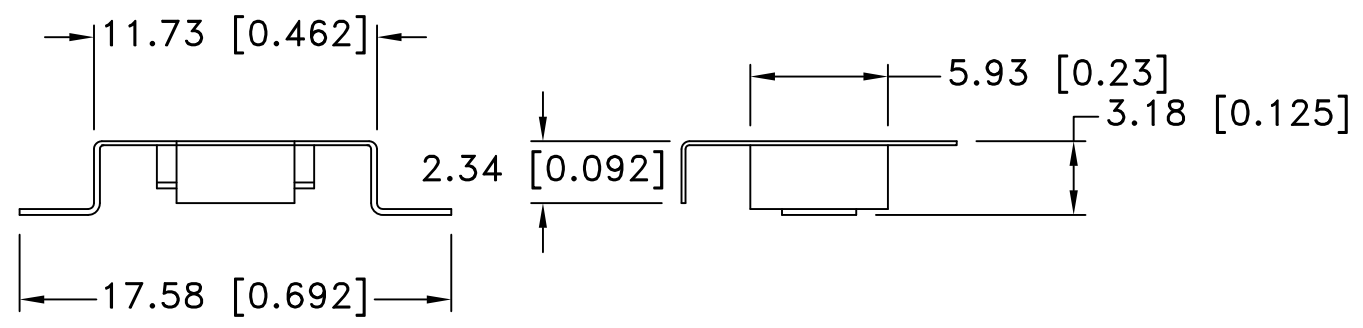
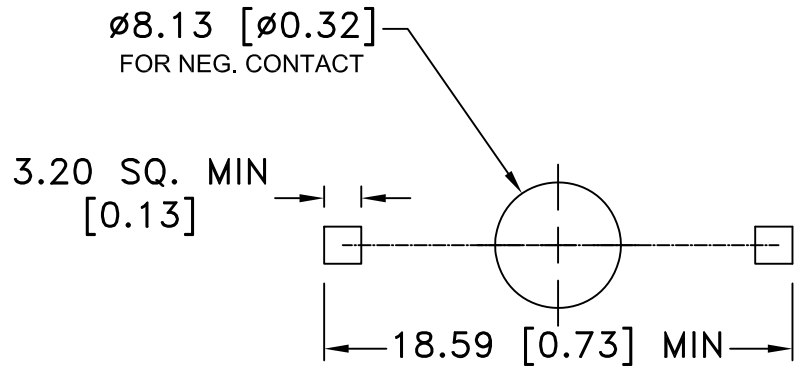
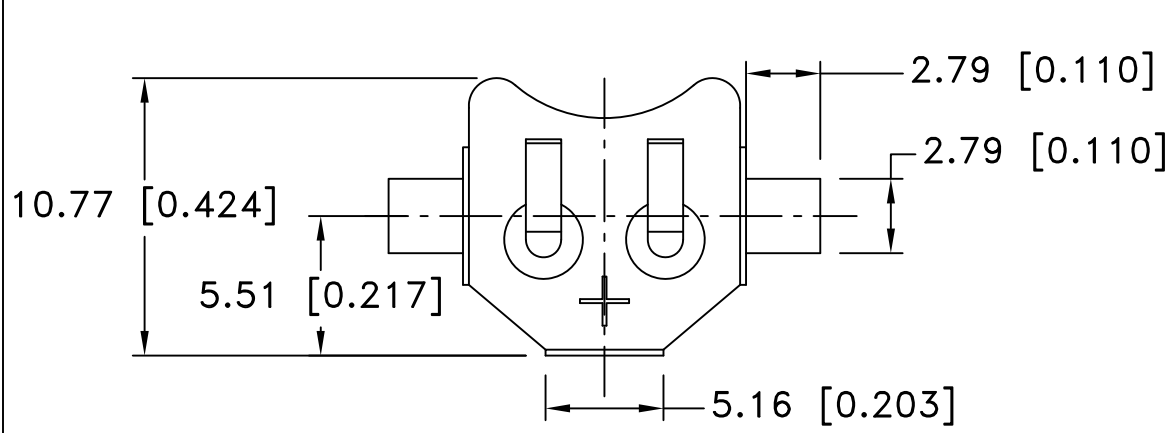



Date	SYM	REVISION RECORD	AUTH	DR.	CK.
3/27/09	A	ADDED DIM. 14.53 AND 5.51	T.B.	B.S.	
6/26/09	B	REMOVED Ø1.27 HOLE FROM TABS	T.B.	B.S.	
4/26/13	C	UPDATED TO ROHS 2 COMPLIANT	T.B.	B.S.	
3/07/14	D	ADDED BATTERY NUMBERS	T.B.	B.S.	



NOTES:

- 1. MATERIAL:
0.25mm (0.010") PHOSPHOR BRONZE, NICKEL PLTD.
ROHS 2 COMPLIANT

Tolerance (Except as noted)	 Memory Protection Devices, Inc 200 Broad Hollow Road, Farmingdale, New York 11735	Scale	Drawn By B.S.
			Approved By T.B.
decimal ±.5 (.020)	Title CR1025 COIN CELL RETAINER		
Fractional ± .8 (.030)		Date 3/07/14	Drawing Number BK-870
Angular ± 3°			

CELL SIZE	RETAINS BATTERY NUMBERS
10mm	BR1025, CR1025, MS920E