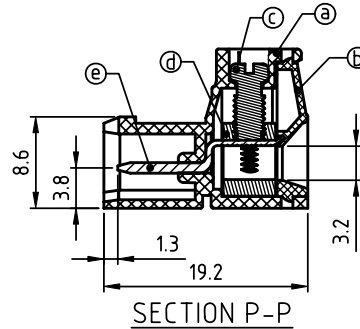
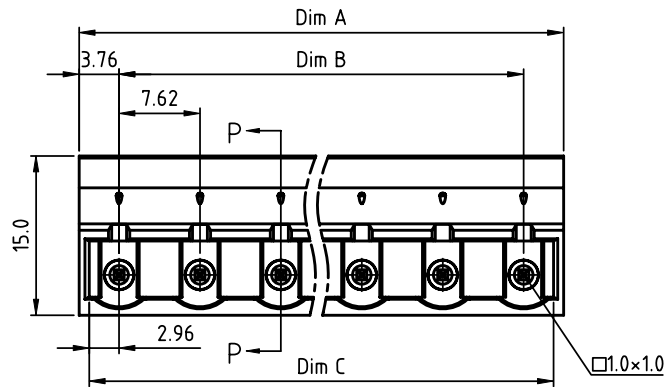
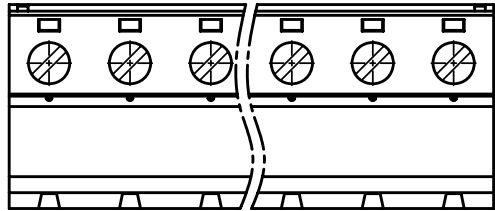


PRODUCT NUMBER	PITCH
V8xx01x000J0G	7.62 mm



Material:

- Item (a) Terminal(housing):Thermoplastic (UL94V-0)
- Item (b) Terminal (Cover):Thermoplastic (UL94V-0)
- Item (c) Terminal screw:Steel Zinc plating "--" slot type
- Item (d) Clamp:Brass(CuZn) nickel plating
- Item (e) Pin: Copper, Tin plated

Electrical cULus

- Voltage rating: 300VAC
- Current rating: 20A
- Wire range:
- Solid wire(AWG): 12-24
- Stranded wire(AWG): 12-24
- Torque: 4 Lb-In
- Screw: M3
- Wire strip length: 7-8mm
- Withstanding Voltage: 1.6KV
- Operating temperature: -40°C to +115°C
- Safety Approval:

DIMENSION

Dim A	(N-1)X7.62+7.52
Dim B	(N-1)X7.62
Dim C	(N-1)X7.62+5.92

N=Number of poles

Poles	Dim A	Dim B	Dim C
2p-4p	±0.15	±0.15	+0.15 0
5p-8p	±0.25	±0.25	+0.25 0
9p-12p	±0.30	±0.30	+0.30 0
13p-16p	±0.40	±0.40	+0.40 0

PART NO.: V8 xx 01 x 0 00J0 G

Solid block	0	Color	Black (RAL9005)	RoHS compliant
No. of poles	2		Red (RAL3001/D)	(lead<4%)
02 2 poles	3		Orange(RAL2011/P)	In copper Alloy
03 3 poles	4		Yellow(RAL1018/A)	
...	5		Green(RAL6018/T)	
16 16 poles	6		Blue (RAL5015/A)	
	8		Grey(RAL7035/D)	
	9		White(RAL1102)	
	C		Green(RAL6018/U)	

mat'l. code		surface ASME Y14.5	tolerance ASME Y14.5	projection 	product family TERMINAL BLOCK
ltr	ecn no	dr	date	tolerances unless otherwise specified	title TERMINAL BLOCK PLUGGABLE PLUG
				angles 	MM
				X°±1°	scale
		dr	EVIN ZHONG	050514	dwg no
		enr	EVIN ZHONG	050514	sheet 1 of 1
		chr	HANKE FENG	050514	size A4
		appd	SHI JUN	050514	V8xx01x000J0G
					type CUSTOMER Drawing
sheet index	revision	A			
	sheet	1			