

1 2 3 4 5 6 7 8

SYMBOL	REVISION	DATE

A A

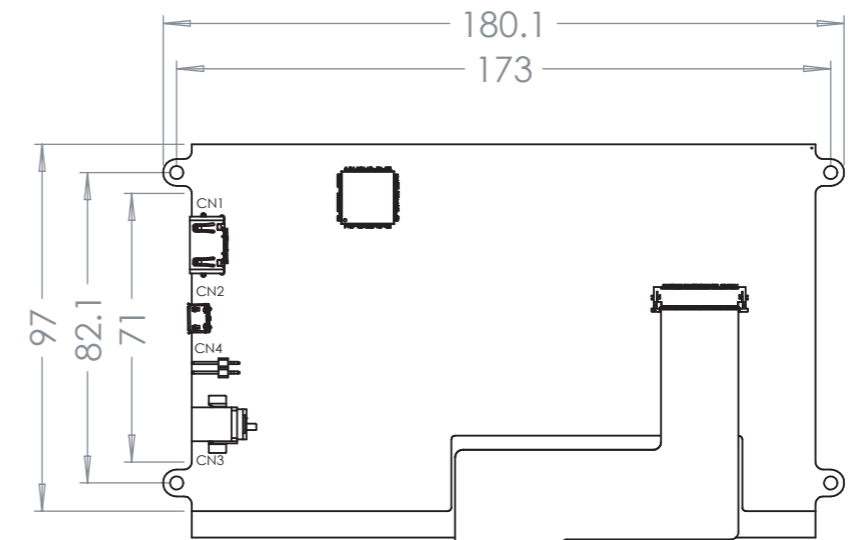
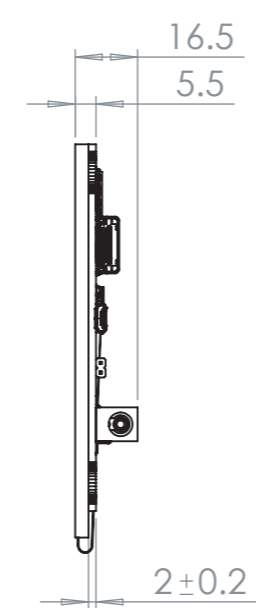
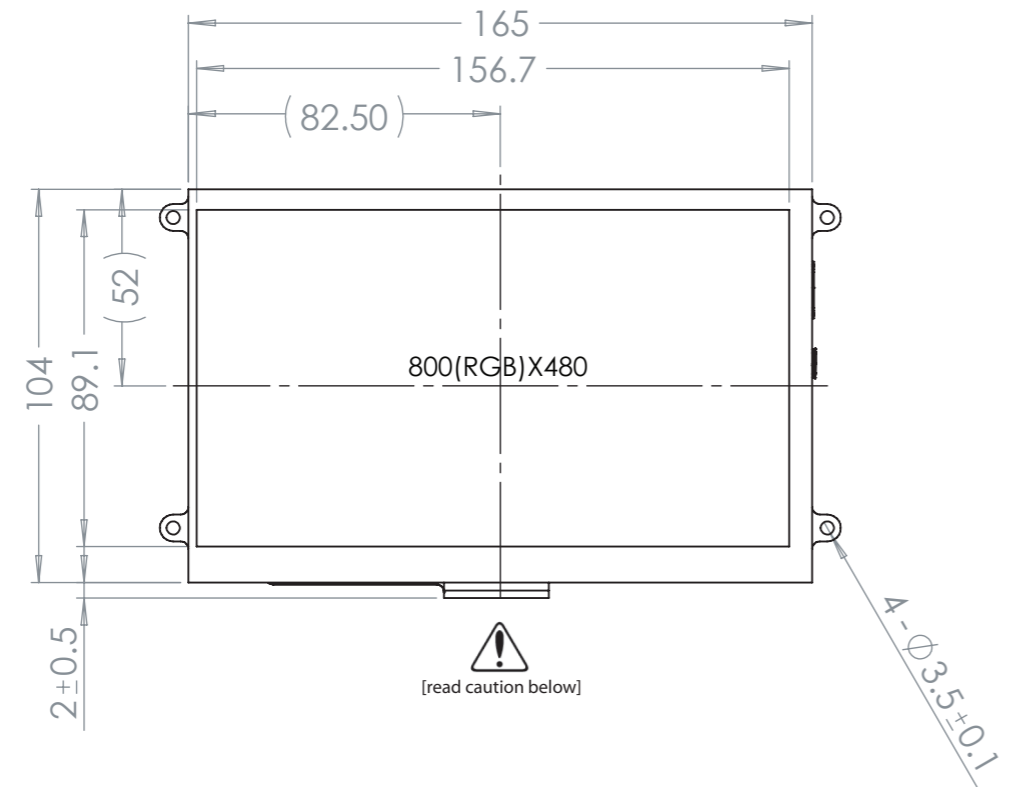
B B

C C

D D

E E

F F



NOTES:

1. 7.0" Premium HDMI TFT Module
2. On-board Texas Instruments TFP401A HDMI/DVI Receiver
3. Optimal Viewing Direction: Full View
4. Display Mode: Transmissive / Normally White / Anti-Glare
5. Luminance: 800 cd/m<sup>2</sup>
6. 3M Brightness Enhancement Film
7. On-board Texas Instruments TPS61165 High Brightness LED Driver w/ PWM

Improper handling of the FPC connection at the bottom edge of this module may cause damage resulting in display failure. Take special care when handling this area of the display module to make sure this connection is never strained nor creased.

STANDARD TOLERANCES (UNLESS OTHERWISE SPECIFIED)				REVISION:	1.1
				SIZE:	A3
LINEAR: ± 0.3mm	DRAWING/PART NUMBER:			NHD-7.0-HDMI-N-RSXV	
UNLESS OTHERWISE SPECIFIED	DRAWN BY:	CHECKED BY:	APPROVED BY:	SCALE:	
	N. Patel	P. Bartek	M. LaVine	1:2	
- DIMENSIONS ARE IN MILLIMETERS	DRAWN DATE:	CHECKED DATE:	APPROVED DATE:	SHEET 1 OF 1	
- THIRD ANGLE PROJECTION	8/25/17	8/28/17	8/29/17	DO NOT SCALE DRAWING	
THIS DRAWING IS SOLELY THE PROPERTY OF NEWHAVEN DISPLAY INTERNATIONAL, INC. THE INFORMATION IT CONTAINS IS NOT TO BE DISCLOSED, REPRODUCED OR COPIED IN WHOLE OR PART WITHOUT WRITTEN APPROVAL FROM NEWHAVEN DISPLAY.					

1 2 3 4 5 6 7 8