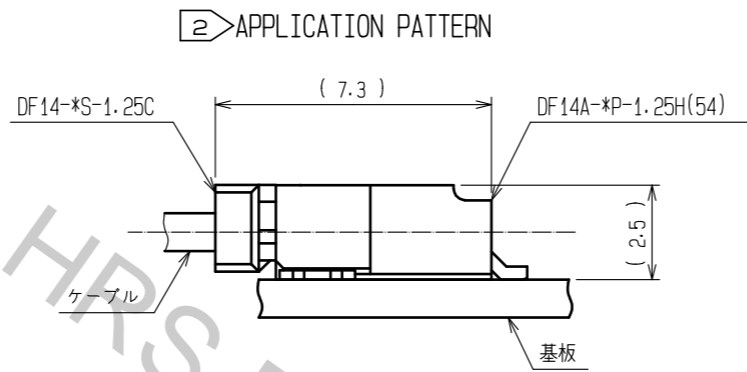
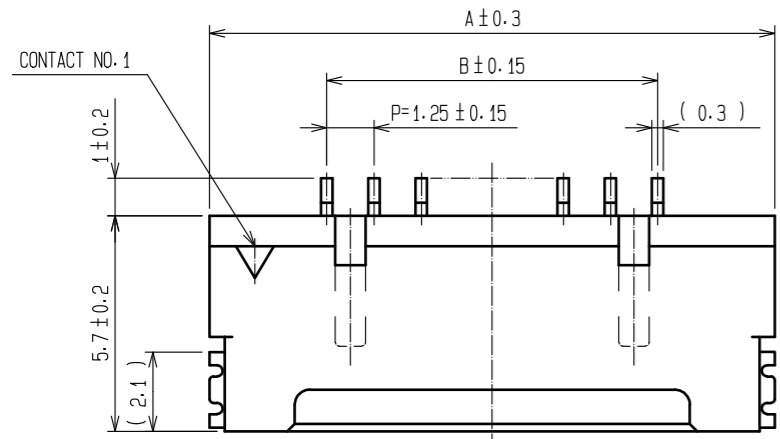
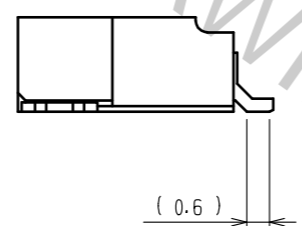
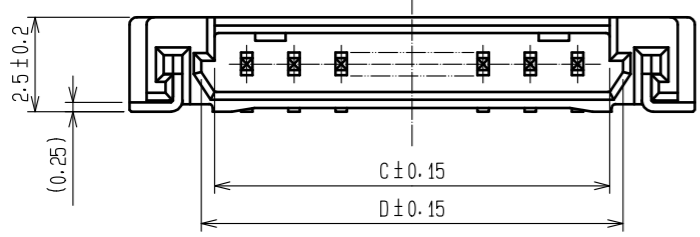


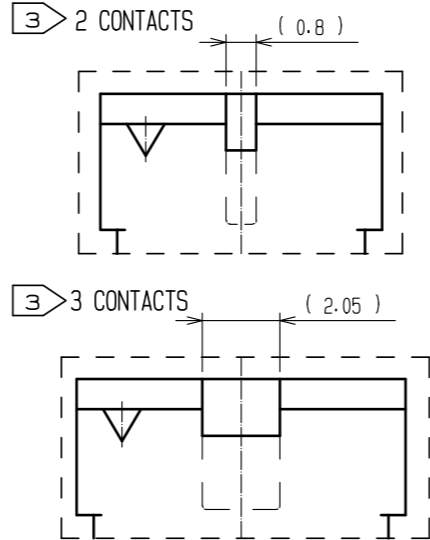
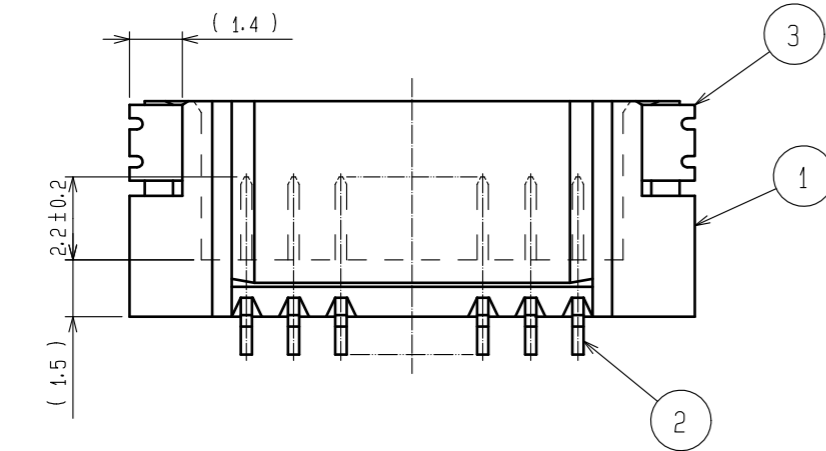
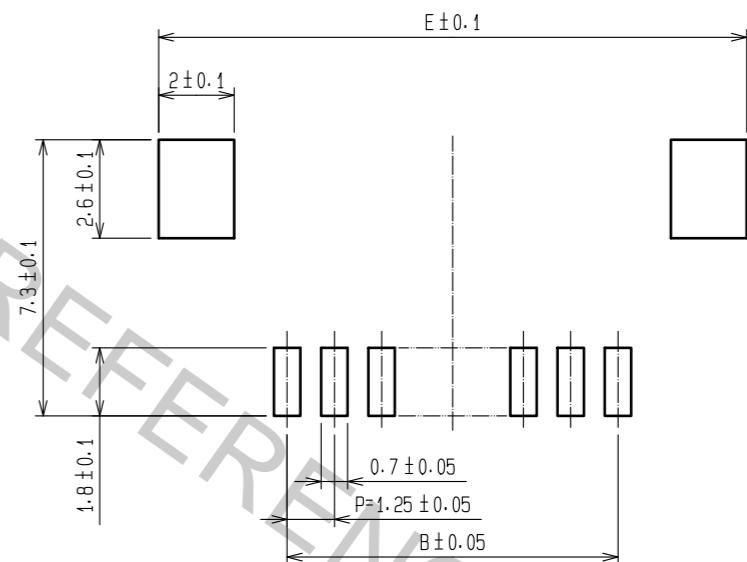
Aug.1.2018 Copyright 2018 HIROSE ELECTRIC CO., LTD. All Rights Reserved.
 In case that the application demands a high level of reliability, such as automotive,
 please contact a company representative for further information.



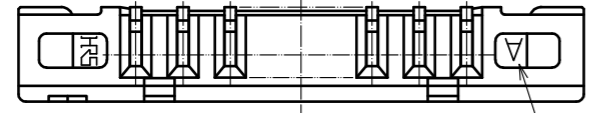
PART NO.	HRS NO.	CONTACTS	A	B	C	D	E
DF14A- 2P-1.25H(54)	CL538-0033-3-54	2	7.45	1.25	2.95	3.65	8.05
DF14A- 3P-1.25H(54)	CL538-0034-6-54	3	8.70	2.50	4.20	4.90	9.30
DF14A- 4P-1.25H(54)	CL538-0035-9-54	4	9.95	3.75	5.45	6.15	10.55
DF14A- 5P-1.25H(54)	CL538-0036-1-54	5	11.20	5.00	6.70	7.40	11.80
DF14A- 6P-1.25H(54)	CL538-0037-4-54	6	12.45	6.25	7.95	8.65	13.05
DF14A- 7P-1.25H(54)	CL538-0038-7-54	7	13.70	7.50	9.20	9.90	14.30
DF14A- 8P-1.25H(54)	CL538-0039-0-54	8	14.95	8.75	10.45	11.15	15.55
DF14A- 9P-1.25H(54)	CL538-0040-9-54	9	16.20	10.00	11.70	12.40	16.80
DF14A-10P-1.25H(54)	CL538-0041-1-54	10	17.45	11.25	12.95	13.65	18.05
DF14A-15P-1.25H(54)	CL538-0114-3-54	15	23.70	17.50	19.20	19.90	24.30
DF14A-20P-1.25H(54)	CL538-0119-7-54	20	29.95	23.75	25.45	26.15	30.55
DF14A-25P-1.25H(54)	CL538-0124-7-54	25	36.20	30.00	31.70	32.40	36.80
DF14A-30P-1.25H(54)	CL538-0045-2-54	30	42.45	36.25	37.95	38.65	43.05



RECOMMENDED PATTERN



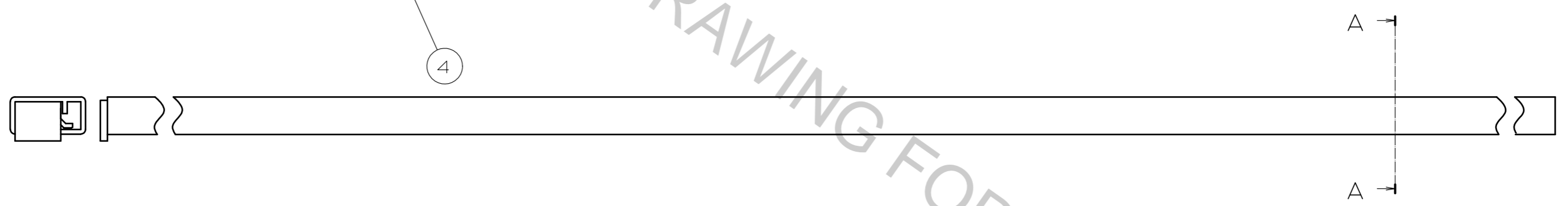
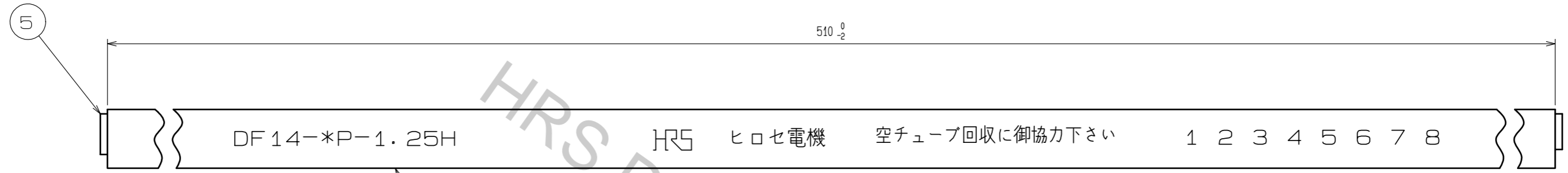
NOTE 1. LEAD CO-PLANALITY INCLUDE REINFORCED METAL FITTINGS SHALL BE 0.1 MAX.
 2 WHEN THIS CONNECTOR MATES WITH DF14-*S-1.25C, THE MATTING LENGTH IS 7.3mm.
 3 FOR CONNECTORS, 2 OR 3 CONTACTS, SIMPLIFIED LOCK HOLE SHALL BE SET AT THE CENTER OF HOUSING.



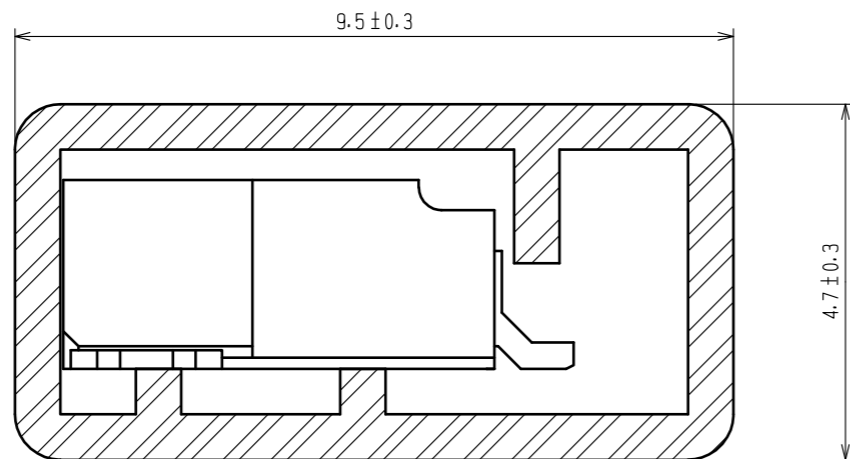
CAVITY No.

2	BRASS	CONTACT AREA:GOLD PLATED 0.1μm min LEAD AREA:TIN-COPPER PLATED 1μm min UNDER PLATING:NICKEL PLATED 1μm min	5	ELASTOMER	GREEN
1	POLYAMIDE	BEIGE, UL94V-0	4	R. PVC	ELECTROSTATIC PROTECTION, CLEAR
			3	PHOSPHOR BRONZE	TIN-COPPER PLATED 1μm min UNDER PLATING:NICKEL PLATED 0.5μm min
NO.	MATERIAL	FINISH, REMARKS	NO.	MATERIAL	FINISH, REMARKS
UNITS mm	⊕	SCALE 5 : 1	COUNT △	DESCRIPTION OF REVISIONS	DESIGNED
					CHECKED
					DATE
APPROVED : HS. OKAWA 18.03.16			DRAWING NO. EDC-160309-54-00		
CHECKED : TS. FUKUSHIMA 18.03.16			PART NO. DF14A-*P-1.25H(54)		
DESIGNED : TS. KUMAZAWA 18.03.08			CODE NO. CL538-		
DRAWN : MK. INOUE 18.03.07			1/2		

Aug.1.2018 Copyright 2018 HIROSE ELECTRIC CO., LTD. All Rights Reserved.
 In case that the application demands a high level of reliability, such as automotive,
 please contact a company representative for further information.



A-A (10:1)



NOTE 4 THE TUBE HAS ONE STOPPER AT EACH END.
 5 WARPAGE OF THE TUBE SHALL BE ALLOWED ±2mm PER 510mm.
 6 MINIMUM UNIT OF PURCHASE SHALL BE THE QUANTITY OF CONNECTORS IN TUBE.

PART NO.	CONTACTS	QUANTITY OF CONNECTOR
DF14A-2P-1.25H(54)	2	66
DF14A-3P-1.25H(54)	3	56
DF14A-4P-1.25H(54)	4	49
DF14A-5P-1.25H(54)	5	44
DF14A-6P-1.25H(54)	6	39
DF14A-7P-1.25H(54)	7	36
DF14A-8P-1.25H(54)	8	32
DF14A-9P-1.25H(54)	9	30
DF14A-10P-1.25H(54)	10	28
DF14A-15P-1.25H(54)	15	20
DF14A-20P-1.25H(54)	20	16
DF14A-25P-1.25H(54)	25	13
DF14A-30P-1.25H(54)	30	11

HRS	DRAWING NO.	EDC-160309-54-00
	PART NO.	DF14A-*P-1.25H(54)
	CODE NO.	CL538-