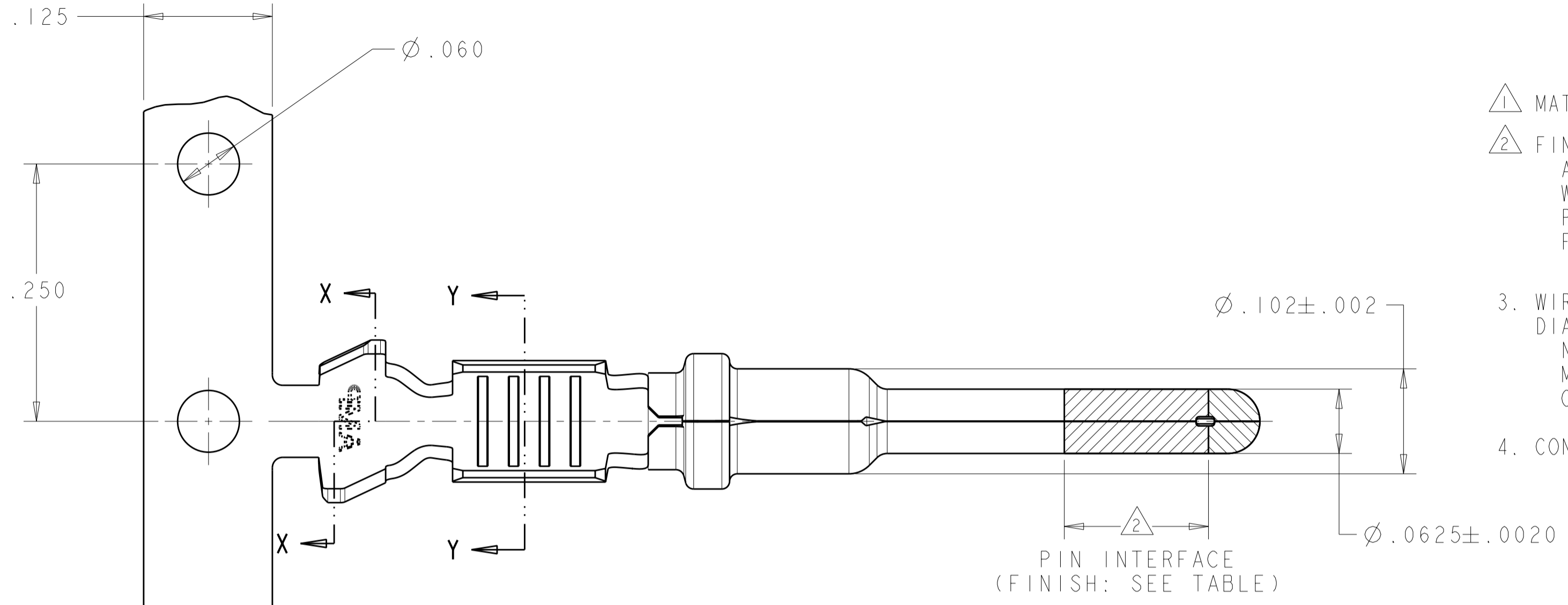


THIS DRAWING IS UNPUBLISHED. RELEASED FOR PUBLICATION 20  
 © COPYRIGHT 20 BY TYCO ELECTRONICS CORPORATION. ALL INTERNATIONAL RIGHTS RESERVED.

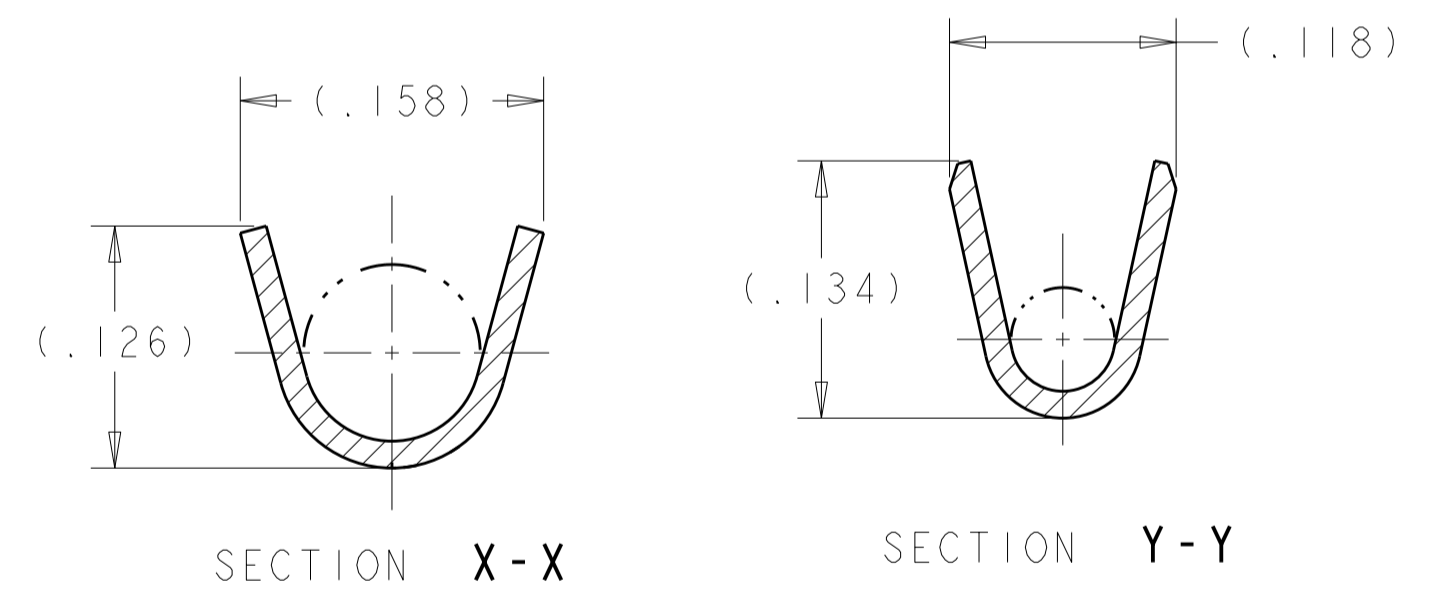
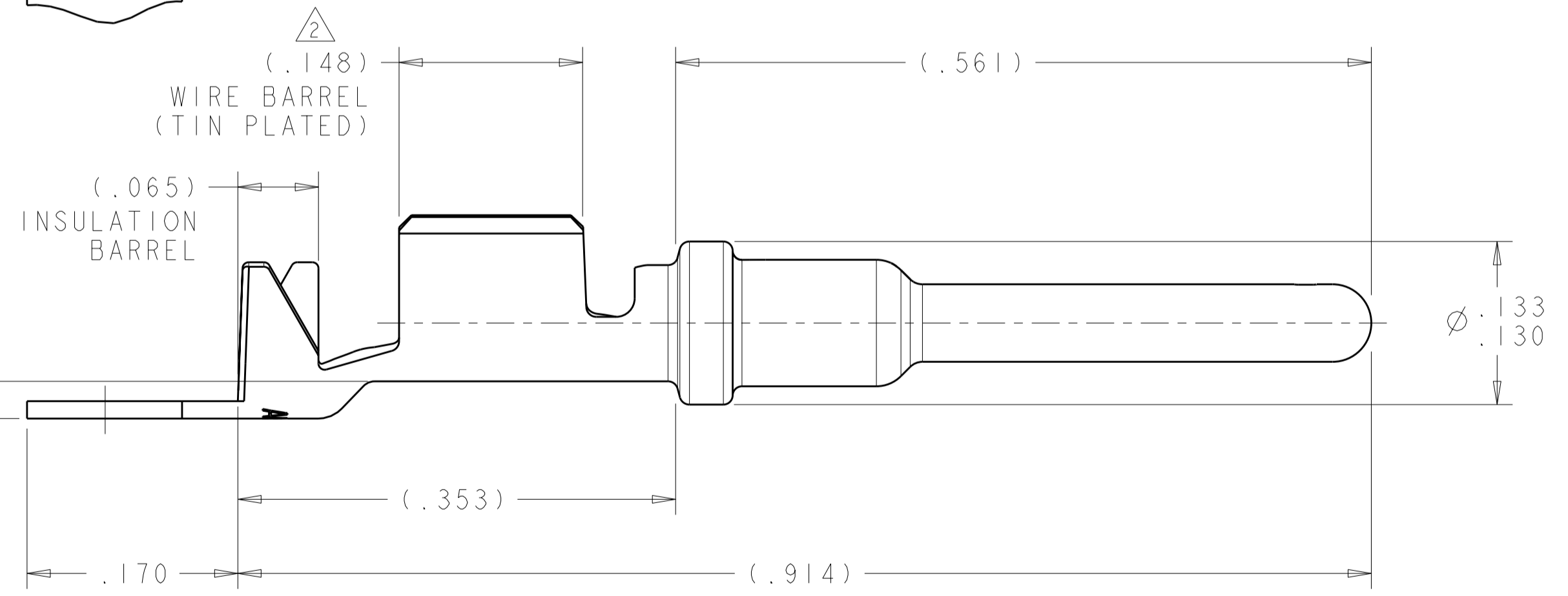
REVISIONS					
P	LTR	DESCRIPTION	DATE	DWN	APVD
A		RELEASED PER ECO-10-008447	21APR2010	DLD	MPT



- 1 MATERIAL: .014 THICK COPPER ALLOY.
- 2 FINISH:  
 ALL OVER: .000040 - .000080 THICK NICKEL  
 WIRE BARREL: .000100 - .000200 THICK TIN  
 PIN INTERFACE: SEE TABLE  
 FOR P/N 2098250-1 ONLY: .000030 MIN THICK GOLD

- 3. WIRE RANGE: 18AWG - 1.5mm<sup>2</sup> WIRE WITH INSULATION DIAMETERS OF  $\phi$ .065 -  $\phi$ .118 INCHES.  
 NOTE: THE CONNECTOR THIS TERMINAL IS ASSEMBLED INTO MAY LIMIT THE SUITABLE INSULATION DIAMETER RANGE BASED ON THE TERMINAL REMOVAL CONFIGURATION.
- 4. CONTACT WILL BE LUBED WITH LUBRICANT PER TE P/N 22014-4.

PIN INTERFACE  
(FINISH: SEE TABLE)



NICKEL	2098250-3
GOLD	2098250-1
FINISH PIN INTERFACE (REFERENCE)	PART NUMBER

THIS DRAWING IS A CONTROLLED DOCUMENT FOR TYCO ELECTRONICS CORPORATION IT IS SUBJECT TO CHANGE AND THE CONTROLLING ENGINEERING ORGANIZATION SHOULD BE CONTACTED FOR THE LATEST REVISION.		DWN R. VESTAL 10 JUN 2009 CHK J. SANDBURG 10 JUN 2009 APVD J. SANDBURG 10 JUN 2009	Tyco Electronics Harrisburg, PA 17105-3608
DIMENSIONS: INCHES	TOLERANCES UNLESS OTHERWISE SPECIFIED: 0 PLC ± 1 PLC ± 2 PLC ±.02 3 PLC ±.005 4 PLC ± ANGLES ± FINISH	PRODUCT SPEC APPLICATION SPEC 114-13045 WEIGHT -	NAME PIN CONTACT, SIZE 16, 18 AWG TO 1.5 SQ. MM WIRE
MATERIAL 1 - 2 -	CUSTOMER DRAWING	SIZE A2 CAGE CODE 00779 DRAWING NO. C-2098250	RESTRICTED TO -
SCALE 10:1		SHEET 1 OF 1	REV A