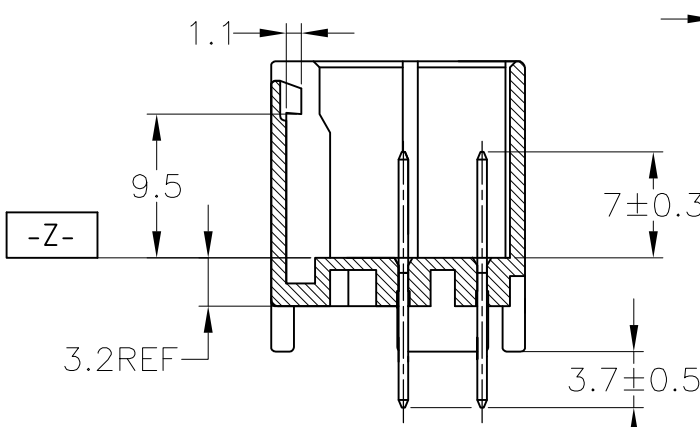
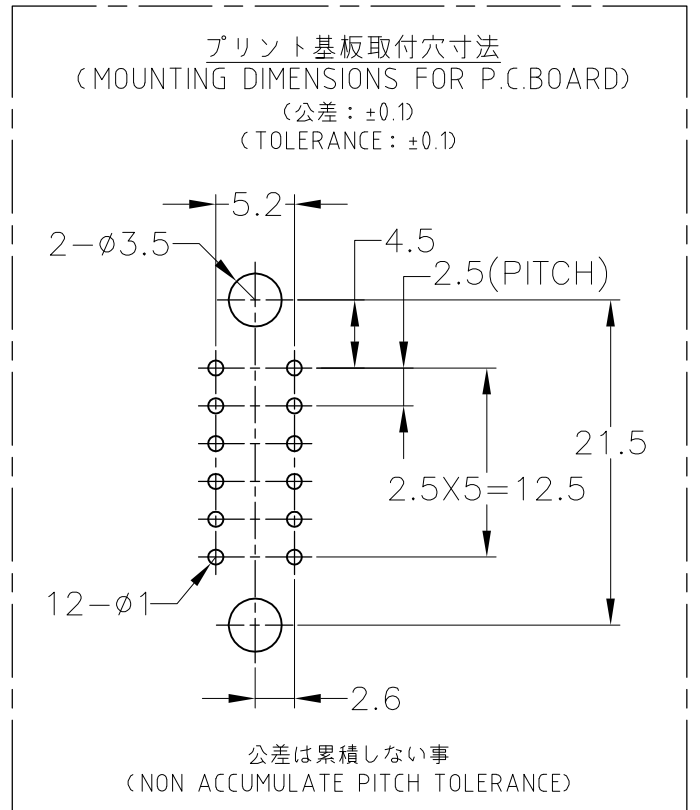
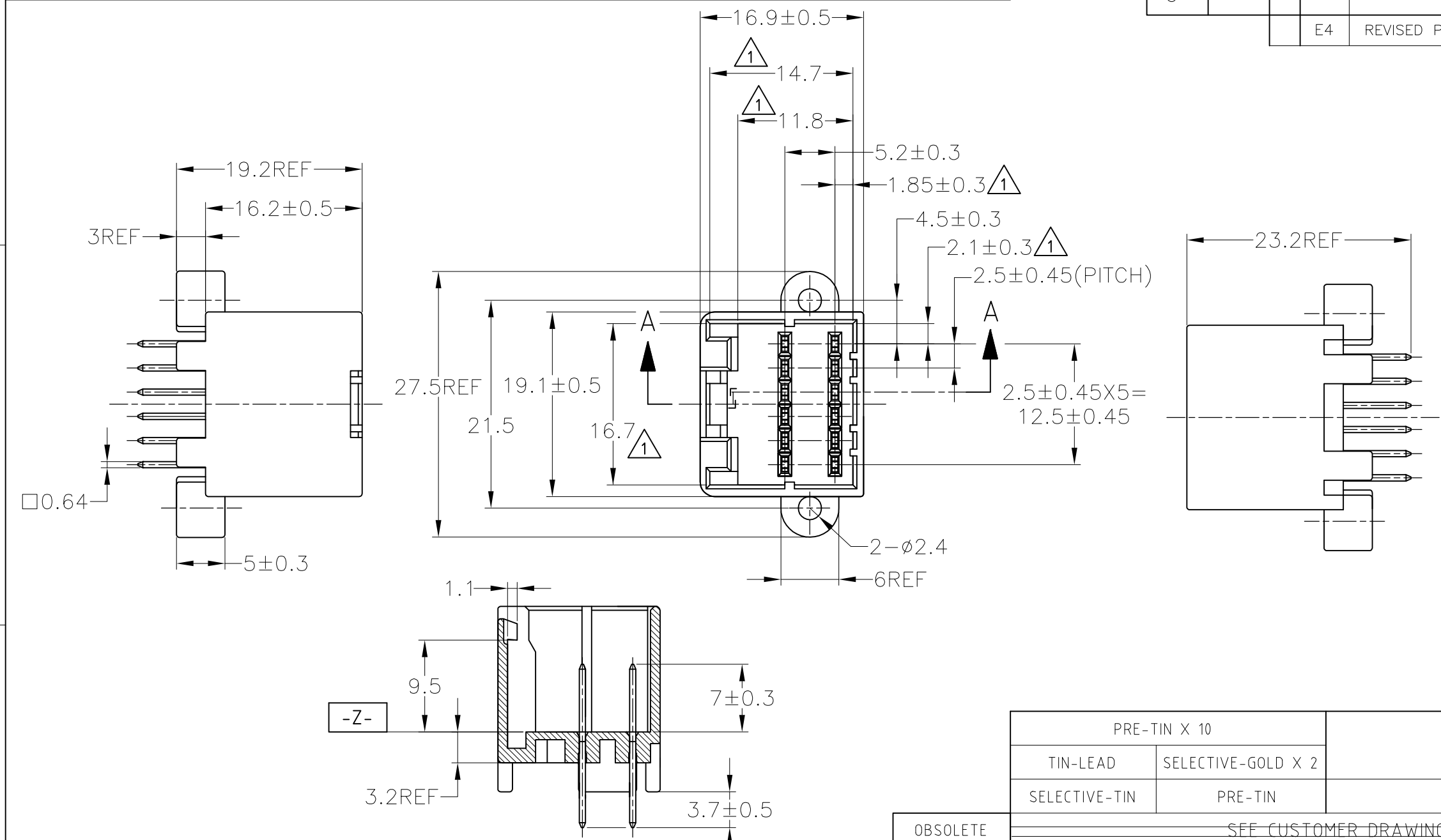
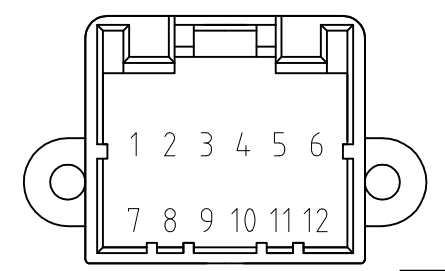


THIS DRAWING IS UNPUBLISHED. RELEASED FOR PUBLICATION  
 © COPYRIGHT - By - ALL RIGHTS RESERVED.

LOC	DIST	REVISIONS					
J	-	P	LTR	DESCRIPTION	DATE	DWN	APVD
			E4	REVISED PER ECO-11-005140	28MAR11	RK	HMR



- ① TO BE MEASURED WITHIN 2mm FROM [-Z-]
- 2. APPLICABLE P.C. BOARD THICKNESS: 1.6mm
- 3. THE MATING COUNTERPART PART NUMBER: 174045
- 4. RECOMMENDED MOUNTING SCREW: 3mm DIA, 6mm LENGTH TAPPING SCREW SPECIFIED IN JIS B1115, B1122 (TIGHTENING TORQUE: 0.8N-M MAX.)
- △5 CIRCUIT NUMBER



- △1 [-Z-] 面より 2mm の範囲で測定
- 2. 適用プリント基板厚: 1.6mm
- 3. 嵌合相手ハウジング型番: 174045
- 4. 推奨取付ネジ: JIS B1115, B1122 タッピンネジ, ナベ 2種 呼び径 3, 長さ 6mm (締付けトルク 0.8N-M 以下)
- △5 回路番号: 上図参照のこと

TOLERANCE UNLESS OTHERWISE SPECIFIED: 一般公差

0 < x ≤ 10	: ±0.2
10 < x ≤ 30	: ±0.25
30 < x ≤ 100	: ±0.3

ANGLE ; 角度: ±3°

PRE-TIN X 10		⑤ ⑥	黒 (BLACK)	4-174973-2
TIN-LEAD	SELECTIVE-GOLD X 2			
SELECTIVE-TIN	PRE-TIN	--	緑 (GREEN)	2-174973-4
OBSOLETE SEE CUSTOMER DRAWING 2-174973-1 2-174973-1				
PRE-TIN		--	緑 (GREEN)	174973-4
SELECTIVE-TIN (MATTE)	SELECTIVE-TIN (BRIGHT)	--	黒 (BLACK)	174973-3
PRE-TIN		--	黒 (BLACK)	174973-2
TIN-LEAD	SELECTIVE-GOLD X 12	① ~ ⑫	黒 (BLACK)	174973-1
半田付け部 SOLDERING SIDE	接触部側 CONTACT SIDE	金めっき端子使用回路番号 CIRCUIT NO. OF GOLD PLATED CONTACT △5		色 COLOR
CONTACT 仕上げ FINISH OF CONTACT		型番 PART NUMBER		

THIS DRAWING IS A CONTROLLED DOCUMENT.

DIMENSIONS: 単位: 耗 mm	TOLERANCES UNLESS OTHERWISE SPECIFIED: 一般公差	DWN T.SHINOHARA 16APR02	TE Connectivity
	0 PLC ±- 1 PLC ±- 2 PLC ±- 3 PLC ±- 4 PLC ±- ANGLES ±-	CHK A.YAMAGUCHI 16APR02	
		APVD K.BETSUI 16APR02	
		PRODUCT SPEC 製品規格 108-5244	
MATERIAL 材料 HOUSING: PBT CONTACT: BRASS	FINISH 仕上 SEE TABLE	APPLICATION SPEC 取付適用規格	NAME 名称 040 SERIES MULTI-LOCK I/O CONN. 12Pos CAP HOUSING ASSY (VERTICAL TYPE)
		WEIGHT 4.2 g	SIZE A3
		CAGE CODE 00779	
		DRAWING NO. 174973	
		RESTRICTED TO	
		SCALE 尺度 2:1	
		SHEET 1 OF 1	
		REV E4	

CUSTOMER DRAWING