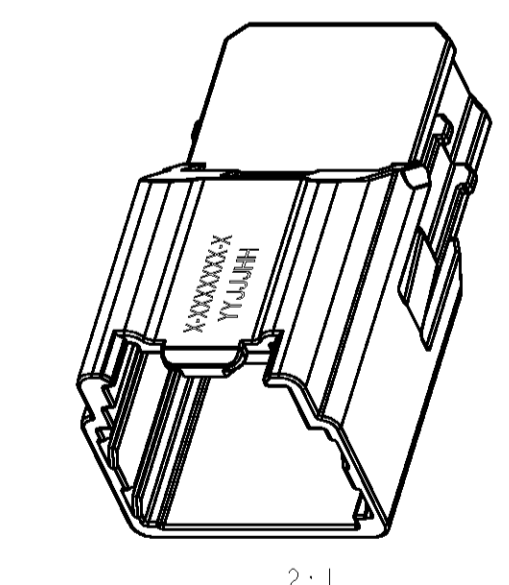


KEYING OPTION A IS SHOWN



- NOTE:
- 1 TERMINAL POSITION NUMBERS LOCATED AS SHOWN
 - 2 SPACER IS SHIPPED IN PRE-ASSEMBLED POSITION
 - 3 PARTNUMBER AND DATE CODE
 - 4 PRODUCT REVISION LEVEL (OPTIONAL)
 - 5 TOOL NUMBER, MOLD CAVITY NUMBER, TYCO LOGO (OPTIONAL)
 - 6 MATERIAL IDENTIFICATION
 - 7 PACKING: CONNECTOR ASSEMBLIES HAVE TO BE BULK PACKED IN CARD BOARD BOX

TYCO ORDER NUMBER	KEYING OPTIONS								ITEM	DESCRIPTION	MATERIAL	COLOUR
	A	C	D	E	F	G	H					
9-1419157-6								2	SPACER	PBT - GF 30	RED	
1-1414147-7								1	MALE HOUSING	PA66-GF35	BLACK	
2-1414167-3								1	MALE HOUSING	PA66-GF35	BLACK	
2-1414167-4								1	MALE HOUSING	PA66-GF35	BLACK	
2-1414167-5								1	MALE HOUSING	PA66-GF35	BLACK	
2-1414167-6								1	MALE HOUSING	PA66-GF35	BLACK	
2-1414167-7								1	MALE HOUSING	PA66-GF35	BLACK	

TYCO ELECTRONICS CORPORATION

DATE: 26SEP2002

BY: A. Kern

TYCO Electronics

Tyco Electronics AMP GmbH
D-63225 Langen

2x5 POS. GET MALE CONNECTOR, UNSEALED ASSEMBLY

SIZE: CAGE CODE: DRAWING NO: 00779 C-1-1419147-7

SCALE: 5:1 SHEET 1 OF 1 REV B