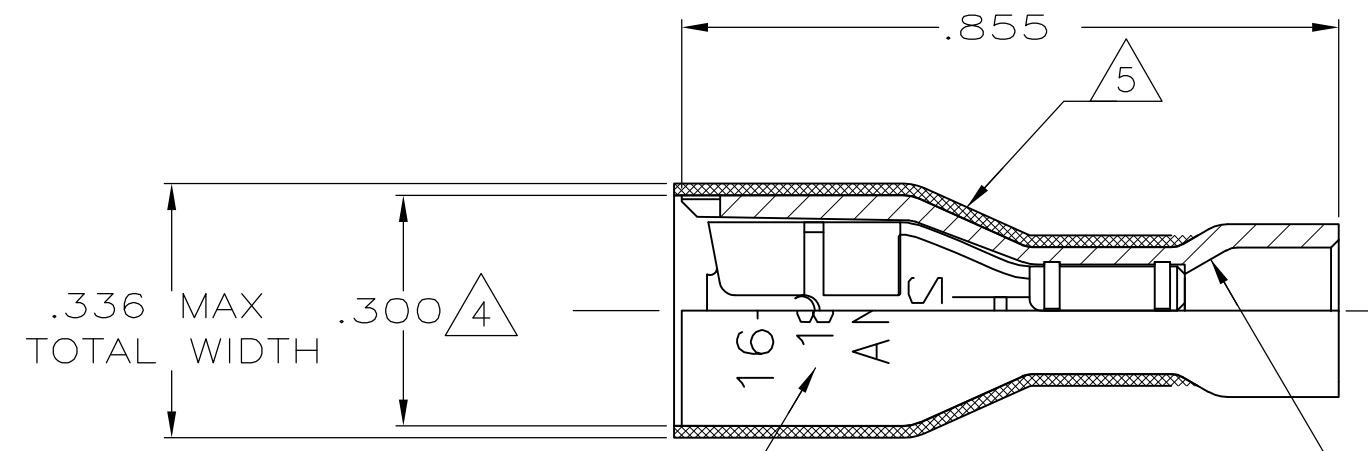
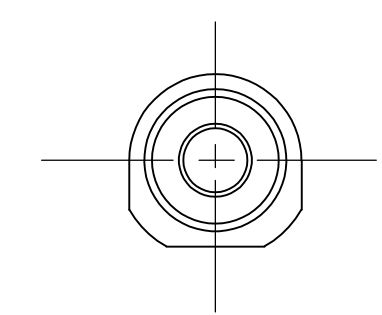
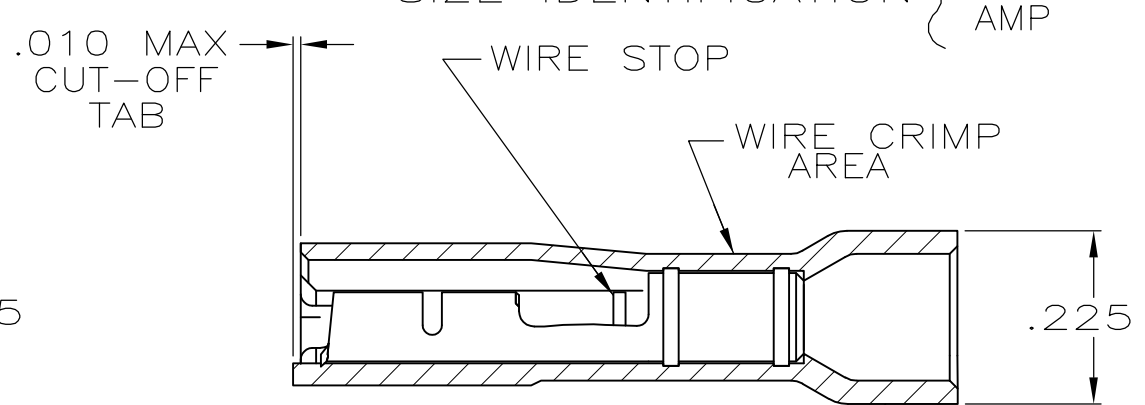
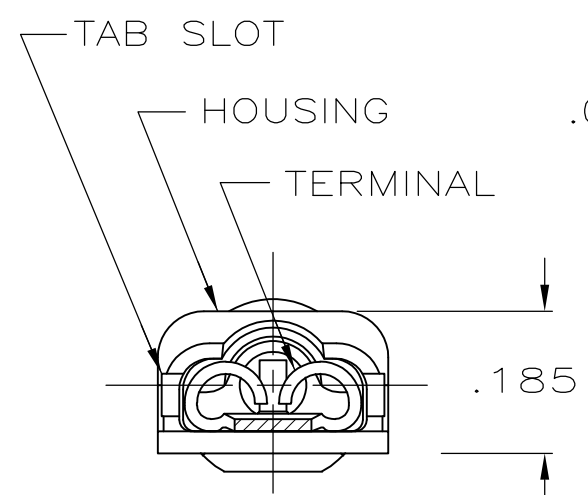


THIS DRAWING IS UNPUBLISHED. RELEASED FOR PUBLICATION
 © COPYRIGHT - By - ALL RIGHTS RESERVED.

LOC	DIST	REVISIONS					
		P	LTR	DESCRIPTION	DATE	DWN	APVD
AF	50		N	REVISED PER ECR-12-005303	18JUL12	KH	KR



- 1 MATES WITH .020±.001x.187 TAB
- 2 WIRE STRIP LENGTH .281
- 3 INSULATION SIZE .160 MAX DIA
- 4 DIMENSION DOES NOT INCLUDE TRIM BURR
- 5 .015 MAX CARRIER TRIM BURR PER SIDE IS ALLOWABLE IN THE SHADED AREA



WIRE AND RECEPTACLE SIZE IDENTIFICATION { 16-14, 187 AMP

FUNNEL ENTRY

INSULATION GUIDE

HOUSING: NYLON, COLOR-BLUE TRANSLUCENT RECEPTACLE: #3 HARD BRASS TIN	3-350816-2
MATERIAL & FINISH	PART NO

THIS DRAWING IS A CONTROLLED DOCUMENT.		DWN P FORTNEY 11/7/88	STE TE Connectivity		
DIMENSIONS: INCHES		CHK MS FEHER 11/7/88			
TOLERANCES UNLESS OTHERWISE SPECIFIED:		APVD K RANDOLH 11/7/88	NAME		
0 PLC ± -		PRODUCT SPEC 108-2043	RECEPTACLE ASSY, ULTRA-FAST, LOOSE PIECE, .187 SERIES, 16-14 AWG		
1 PLC ± -		APPLICATION SPEC 114-2123	SIZE	CAGE CODE	DRAWING NO
2 PLC ± -		WEIGHT -	A3	00779	C-350816
3 PLC ± .015		CUSTOMER DRAWING	SCALE	SHEET	REV
4 PLC ± -			4:1	1 OF 1	N
ANGLES ± -					
FINISH					
SEE TABLE					