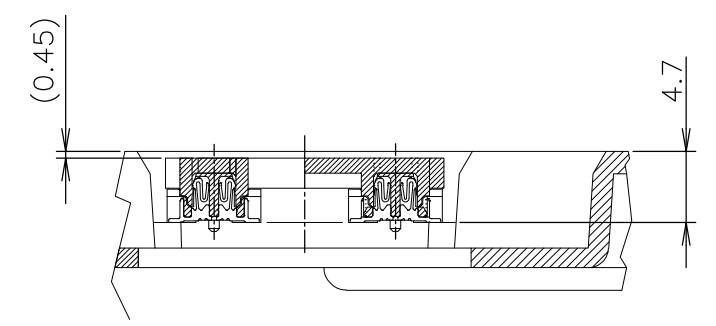
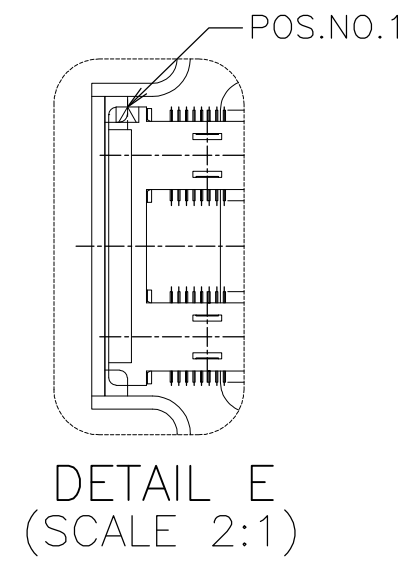
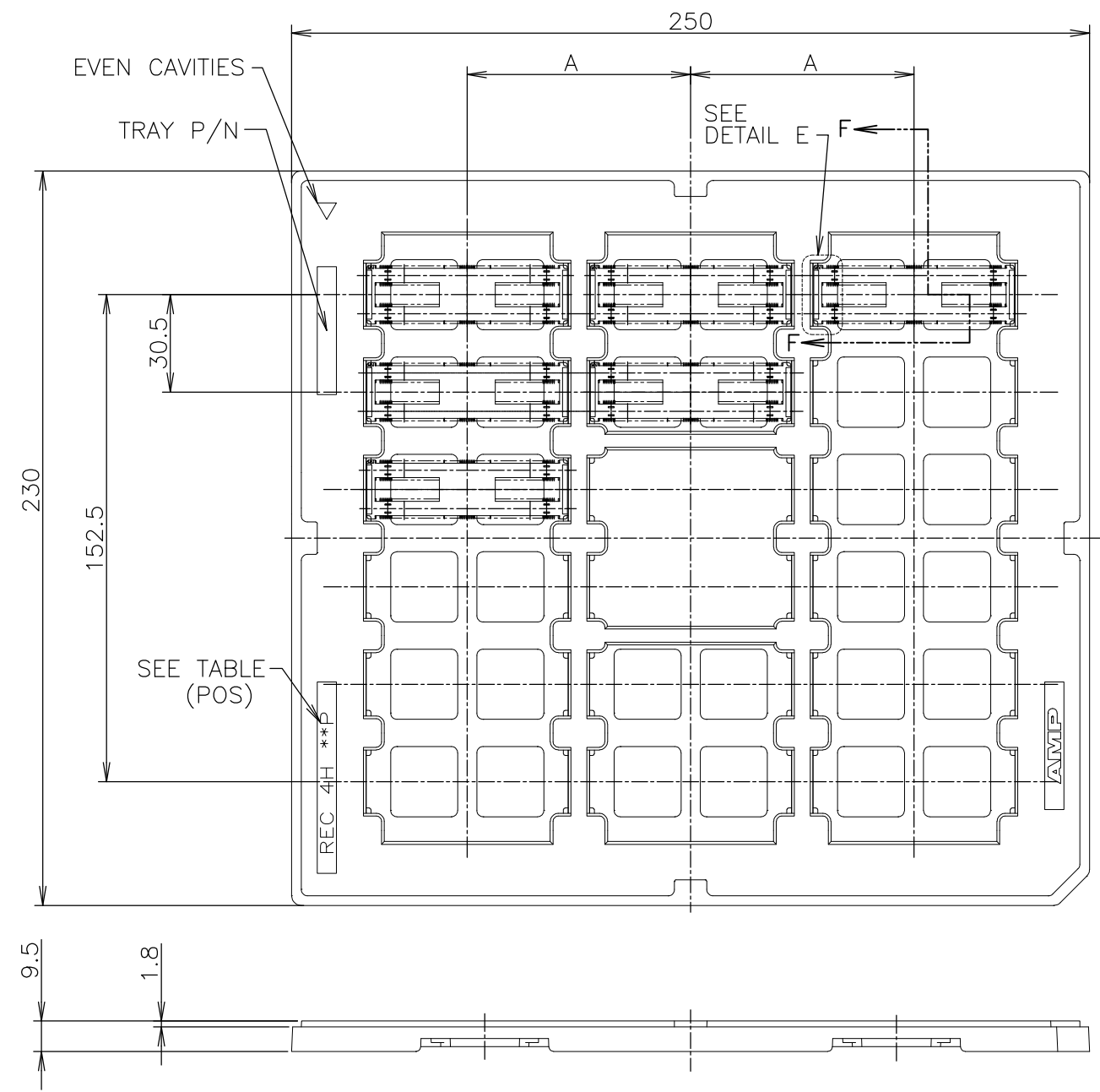


THIS DRAWING IS UNPUBLISHED. RELEASED FOR PUBLICATION .2005.
 © COPYRIGHT 2005 By - ALL RIGHTS RESERVED.

LOC	DIST	REVISIONS			
P	LTR	DESCRIPTION	DATE	DWN	APVD
J					
	C	REVISED PER ECR-13-003575	26FEB13	IT	SY



FINISH	SEALANT	ROW	QTY	A	POS.	PART NO.
△	NO	3	18	75	440	9-1827231-6
△	NO	3	18	75	440	3-1827231-6

THIS DRAWING IS A CONTROLLED DOCUMENT.		DWN S.CH IEN 18MAY05	TE Connectivity NAME HARD TRAY ASSY FH 0.5BTB CONNECTOR 440POS REC 4H W/G-PLATE ON 2 ROW CAP				
DIMENSIONS: MM		CHK T.FUTATSUGI 18MAY05					
		APVD W.KODAMA 18MAY05					
TOLERANCES UNLESS OTHERWISE SPECIFIED:		PRODUCT SPEC 108-5560					
MATERIAL		APPLICATION SPEC	SIZE A3	CAGE CODE 00779	DRAWING NO C-1827231	RESTRICTED TO	
FINISH		WEIGHT	CUSTOMER DRAWING		SCALE 1:2	SHEET 1 OF 4	REV C

4

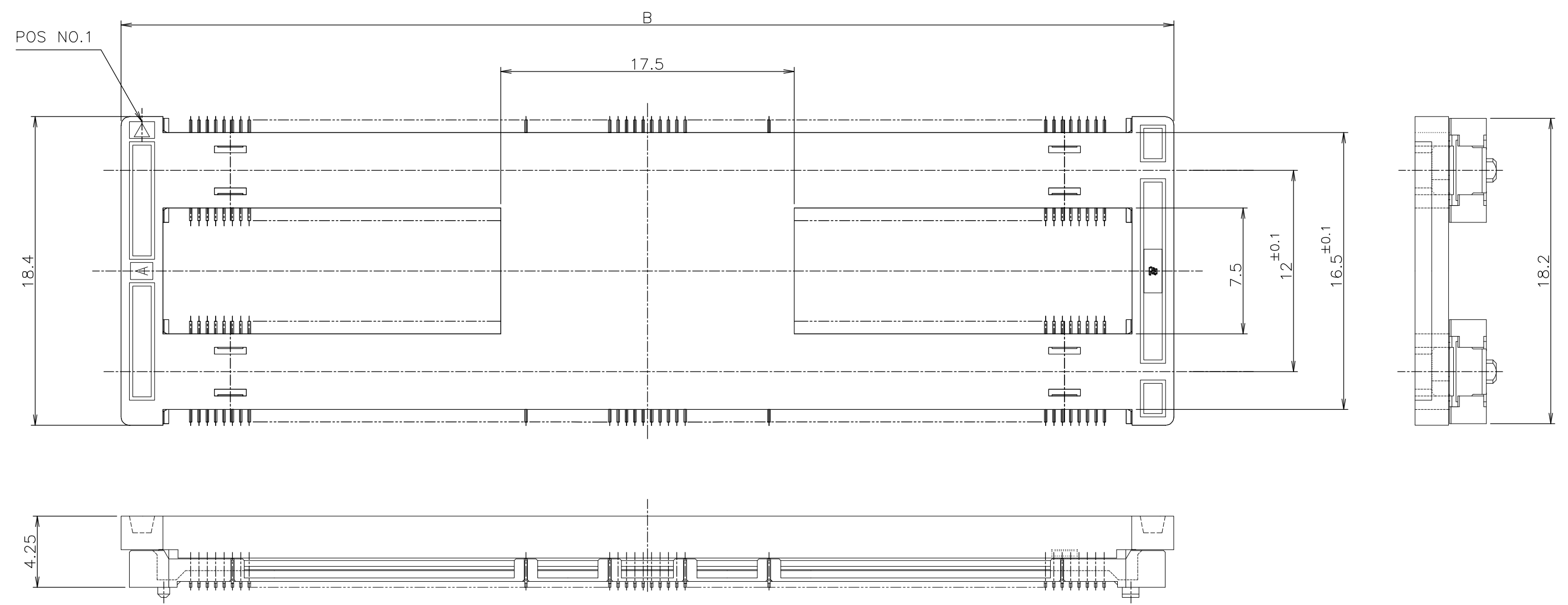
3

2

1

THIS DRAWING IS UNPUBLISHED. RELEASED FOR PUBLICATION .2002.
 © COPYRIGHT 2002 By - ALL RIGHTS RESERVED.

LOC	DIST	REVISIONS					
J		P	LTR	DESCRIPTION	DATE	DWN	APVD
		-		SEE SHEET 1	-	-	-



NOTES

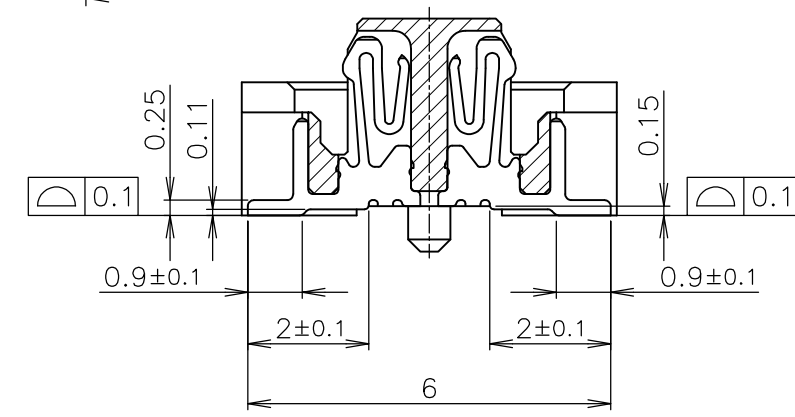
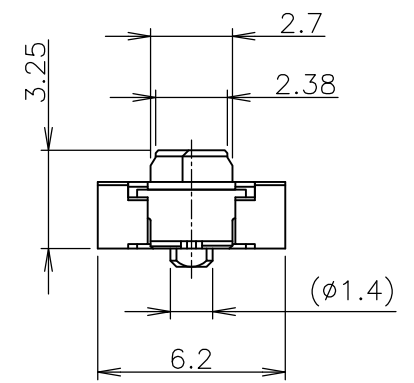
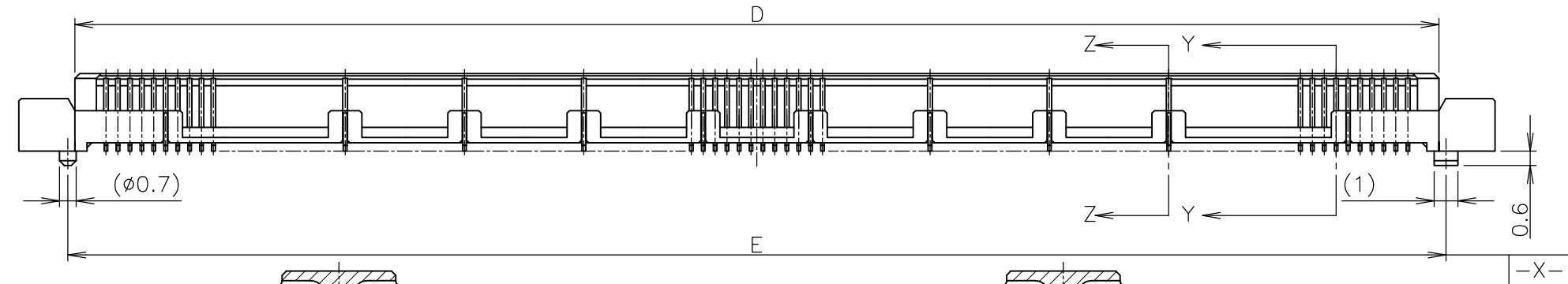
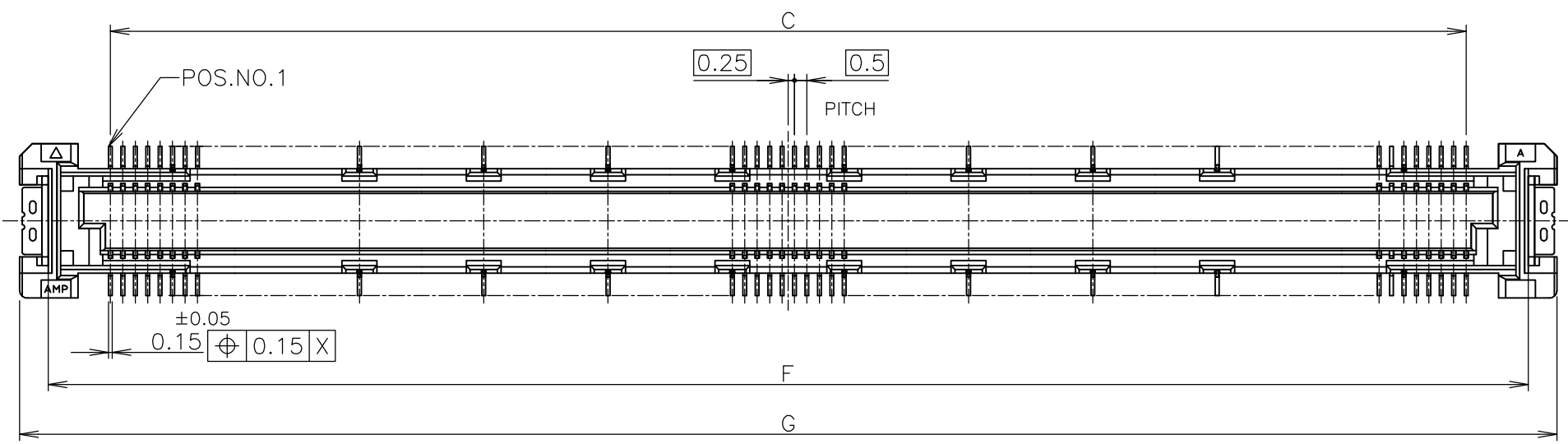
- ⚠ MATERIAL ; HOUSING : HIGH TEMP THERMO PLASTIC UL94V-0
CONTACT : COPPER ALLOY; SOLDER PEG : COPPER ALLOY
- ⚠ FINISH ; SIGNAL CONTACT : UNDER PL Ni 0.0013mm MIN ALL OVER.
CONTACT AREA 0.0002mm MIN Au PL; SOLDERING AREA 0.00005mm MIN Au PL.
GROUND CONTACT : UNDER PL Ni 0.0013mm MIN ALL OVER;
CONTACT AREA 0.0002mm MIN Au PL; SOLDERING AREA 0.001mm MIN Sn PL.
SOLDER PEG : 0.001mm MIN Sn PL. OVER 0.0013mm MIN Ni PL ALL OVER.
- ⚠ THIS POSITION IS GROUND CIRCUIT.
- ⚠ FINISH ; SIGNAL CONTACT : UNDER PL Ni 0.0013mm MIN ALL OVER.
CONTACT AREA 0.00076mm MIN Au PL.
SOLDERING AREA 0.00005mm MIN Au PL.
GROUND CONTACT : UNDER PL Ni 0.0013mm MIN ALL OVER;
CONTACT AREA 0.00076mm MIN Au PL;
SOLDERING AREA 0.001mm MIN Sn PL.
SOLDER PEG : 0.001mm MIN Sn PL. OVER 0.0013mm MIN Ni PL ALL OVER.

BLACK	62.8	440	9-1827231-6
BLACK	62.8	440	3-1827231-6
CAP COLOR	B	POS	PART NO.

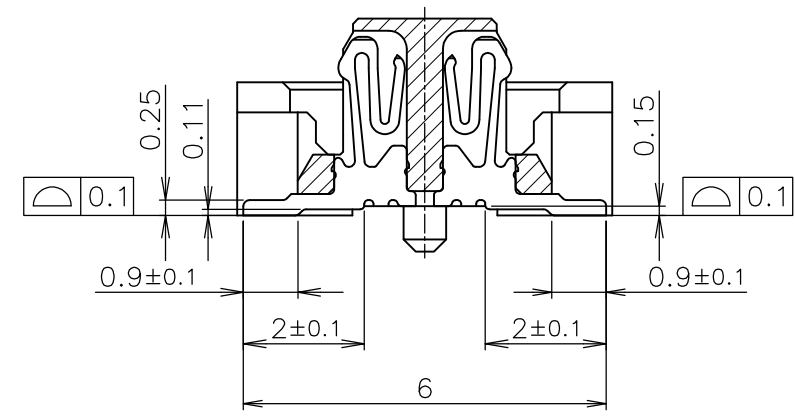
THIS DRAWING IS A CONTROLLED DOCUMENT.		DWN	TE Connectivity HARD TRAY ASSY FH 0.5BTB CONNECTOR 440POS REC 4H W/G-PLATE ON 2 ROW CAP	
DIMENSIONS: MM		CHK		
TOLERANCES UNLESS OTHERWISE SPECIFIED:		APVD		
0 PLC ± 0.3 1 PLC ± 0.3 2 PLC ± 0.3 3 PLC ± 0.3 4 PLC ± 0.3 ANGLES ± 3°		PRODUCT SPEC		
MATERIAL		APVD	NAME	
FINISH		PRODUCT SPEC	SIZE	
⚠		APPLICATION SPEC	CAGE CODE	
⚠		WEIGHT	DRAWING NO	
		CUSTOMER DRAWING	RESTRICTED TO	
		SCALE 4:1	SHEET 2 OF 4	
			REV C	

THIS DRAWING IS UNPUBLISHED. RELEASED FOR PUBLICATION .2002.
 © COPYRIGHT 2002 By - ALL RIGHTS RESERVED.

LOC	DIST	REVISIONS					
J		P	LTR	DESCRIPTION	DATE	DWN	APVD
		-		SEE SHEET 1	-	-	-



SECT. Z-Z
(GROUND POSITION)
(SCALE 8:1)



SECT. Y-Y
(SIGNAL POSITION)
(SCALE 8:1)

61.8	59.5	57.7	57.1	54.5	220	BLACK	9-1827231-6
61.8	59.5	57.7	57.1	54.5	220	BLACK	3-1827231-6
G	F	E	D	C	POS.	HSG COLOR	PART NO.

THIS DRAWING IS A CONTROLLED DOCUMENT.		DWN	TE Connectivity NAME HARD TRAY ASSY FH 0.5BTB CONNECTOR 440POS REC 4H W/G-PLATE ON 2 ROW CAP	
DIMENSIONS: MM		CHK		
TOLERANCES UNLESS OTHERWISE SPECIFIED: 0 PLC ± 0.3 1 PLC ± 0.3 2 PLC ± 0.3 3 PLC ± 0.3 4 PLC ± 0.3 ANGLES ± 3°		APVD		
		PRODUCT SPEC		
MATERIAL		FINISH	APPLICATION SPEC	RESTRICTED TO
			WEIGHT	SIZE A3 CAGE CODE 00779 DRAWING NO. C-1827231
CUSTOMER DRAWING			SCALE 4:1	SHEET 3 OF 4
			REV C	

4

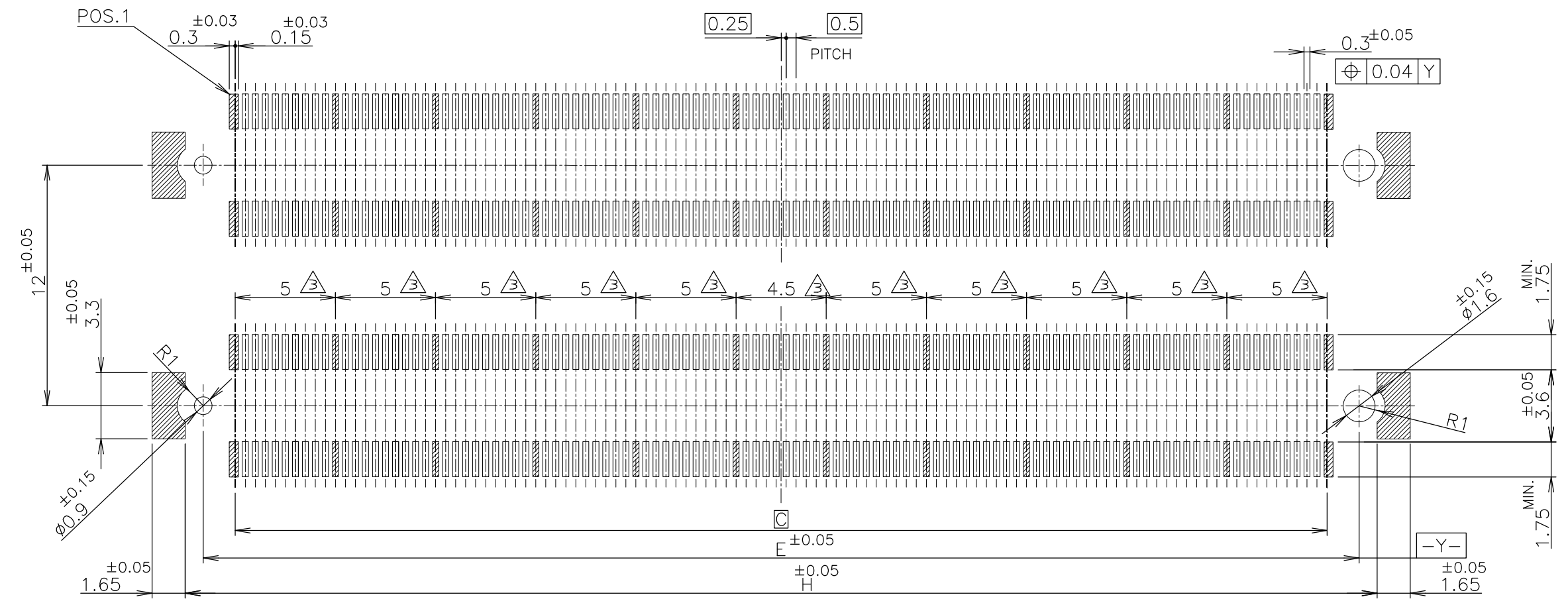
3

2

1

THIS DRAWING IS UNPUBLISHED. RELEASED FOR PUBLICATION ,2002.
 © COPYRIGHT 2002 By - ALL RIGHTS RESERVED.

LOC	DIST	REVISIONS					
J		P	LTR	DESCRIPTION	DATE	DWN	APVD
		-		SEE SHEET 1	-	-	-



REFERENCE P.C.BOARD LAYOUT

59.5	440	9-1827231-6
59.5	440	3-1827231-6
H	POS	PART NO.

THIS DRAWING IS A CONTROLLED DOCUMENT.		DWN	TE Connectivity NAME HARD TRAY ASSY FH 0.5BTB CONNECTOR 440POS REC 4H W/G-PLATE ON 2 ROW CAP				
DIMENSIONS: MM		CHK					
TOLERANCES UNLESS OTHERWISE SPECIFIED:		APVD					
0 PLC ± 0.3 1 PLC ± 0.3 2 PLC ± 0.3 3 PLC ± 0.3 4 PLC ± 0.3 ANGLES ± 3°		PRODUCT SPEC					
MATERIAL		FINISH	APPLICATION SPEC	SIZE	CAGE CODE	DRAWING NO	RESTRICTED TO
1		2	WEIGHT	A3	00779	C-1827231	
CUSTOMER DRAWING			SCALE	SHEET	REV		
			4:1	4 OF 4	C		