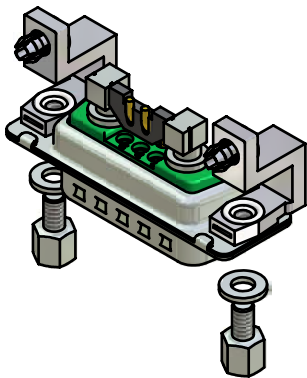


**NOTES:**

1. METAL SHELLS: STEEL; min. 315µm TIN over 40-80µm NICKEL
2. INSULATORS: HIGH TEMPERATURE PLASTIC UL 94 V-0; GREEN
3. HIGH POWER CONTACTS: COPPER ALLOY; min. 35A/pin @30°C TEMPERATURE RISE  
PLATING MATING AREA: 30µm HARD GOLD over min. 50µm NICKEL  
PLATING TERMINATION SIDE: 160-240µm TIN over 80µm NICKEL  
MALE CONTACT ON POS. A1 and A2
4. SIGNAL CONTACTS: COPPER ALLOY; 5A nominal  
PLATING MATING AREA: 30µm HARD GOLD over min. 50µm NICKEL  
MALE CONTACTS ON POS. 1 and 2, NO CONTACTS ON POS. 3, 4, 5
5. METAL BRACKET: ZINC DIE CAST; 300µm COPPER/40-120µm NICKEL/120-200µm TIN
6. THREADED INSERT: COPPER ALLOY; min. 200µm TIN over 80µm NICKEL
7. HEX BOLT: STEEL; NICKEL PLATED
8. WASHER: STEEL; NICKEL PLATED
9. FIXING PLATE: HIGH TEMPERATURE PLASTIC UL 94 V-0, BLACK
10. PCB-SNAP: COPPER ALLOY; min. 200µm TIN over 80µm NICKEL  
PCB-HOLE:  $\varnothing 3,1 \pm 0,1$ mm; PCB-THICKNESS: 1,6mm
11. MAXIMUM TORQUE VALUE FOR THREAD: 6" LBS
12. CONNECTOR IS PART MARKED: 13-000071 CONEC ABC

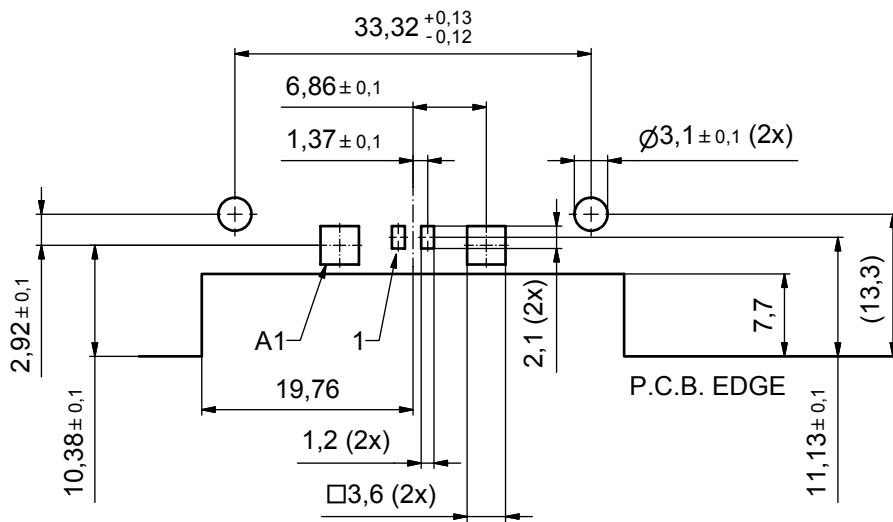


Directive 2002/95/EC  
RoHS  
Compliant

APPROVAL # FREIGABE # DEBLOCAGE # AUTORIZACION # APPROVAL	
CUSTOMER APPROVAL DATE:	
NAME:	TITLE:
COMPANY NAME:	
APPROVAL # FREIGABE # DEBLOCAGE # AUTORIZACION # APPROVAL	

DO NOT ALTER CAD DRAWING BY HAND			
finish:	see notes	tolerance	ISO 2768-m
date		dim. in mm	
drawn	13.06.07	name	Schmidt
appd.	13.06.07	name	Koch
norm			
d-old			
a	Origin	<b>CONEC</b> <sup>®</sup>	
rev.	description	date	name

scale:		2:1	
material:		see notes	
title:			
SMD CONNECTOR 90° Male Single-Port threaded insert, metal bracket, snap, hex bolt			
dwg no:	Inventor 10	DIN-A3	
13K1A2059		sh: 1	
part no:	13-000071		



APPROVAL # FREIGABE # DEBLOCAGE # AUTORIZACION # APPROVAL	
CUSTOMER APPROVAL DATE:	
NAME:	TITLE:
COMPANY NAME:	
APPROVAL # FREIGABE # DEBLOCAGE # AUTORIZACION # APPROVAL	

THIS DRAWING MAY NOT BE COPIED OR REPRODUCED IN ANY WAY, AND MAY NOT BE PASSED ON TO A THIRD PARTY WITHOUT WRITTEN PERMISSION. OWNERSHIP AND COPYRIGHT OF CONEC GmbH				DO NOT ALTER CAD DRAWING BY HAND		finish: see sheet 1		tolerance ISO 2768-m		dim. in mm		scale: 2:1	
												material: see sheet 1	
								date		name		title:	
								drawn		13.06.07		Schmidt	
								appd.		13.06.07		Koch	
								norm				P.C.B. LAYOUT	
								d-old				SMD Connector 90° Male Single-Port	
												with threaded insert, metal bracket, snap, hex bolt	
												dwg no: Inventor 10	
												DIN-A3	
												sh: 2	
												part no: see sheet 1	

