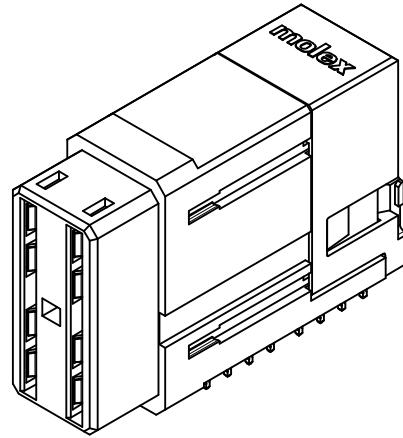
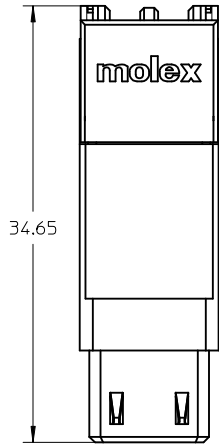
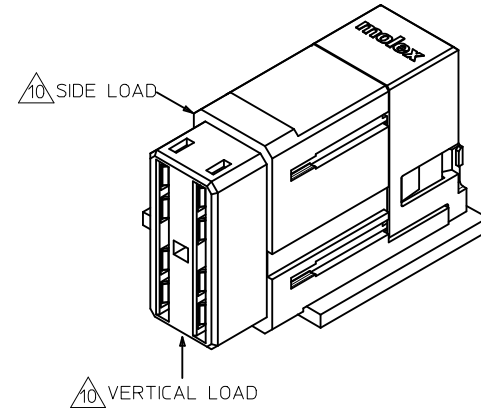
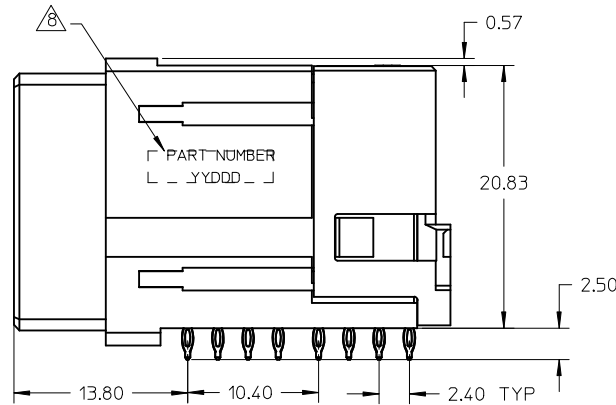
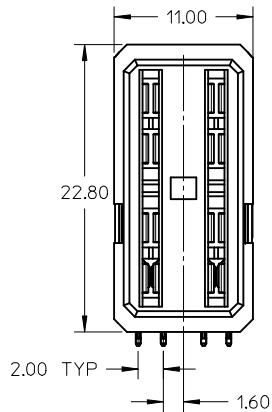


10	9	8	7	6	5	4	3	2	1
PART NUMBER	PLATING OPTIONS	PACKAGING							
78249-1001	TIN PLATING	TRAY							

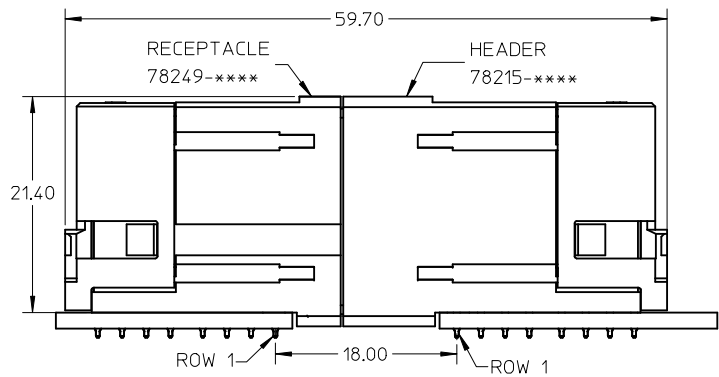
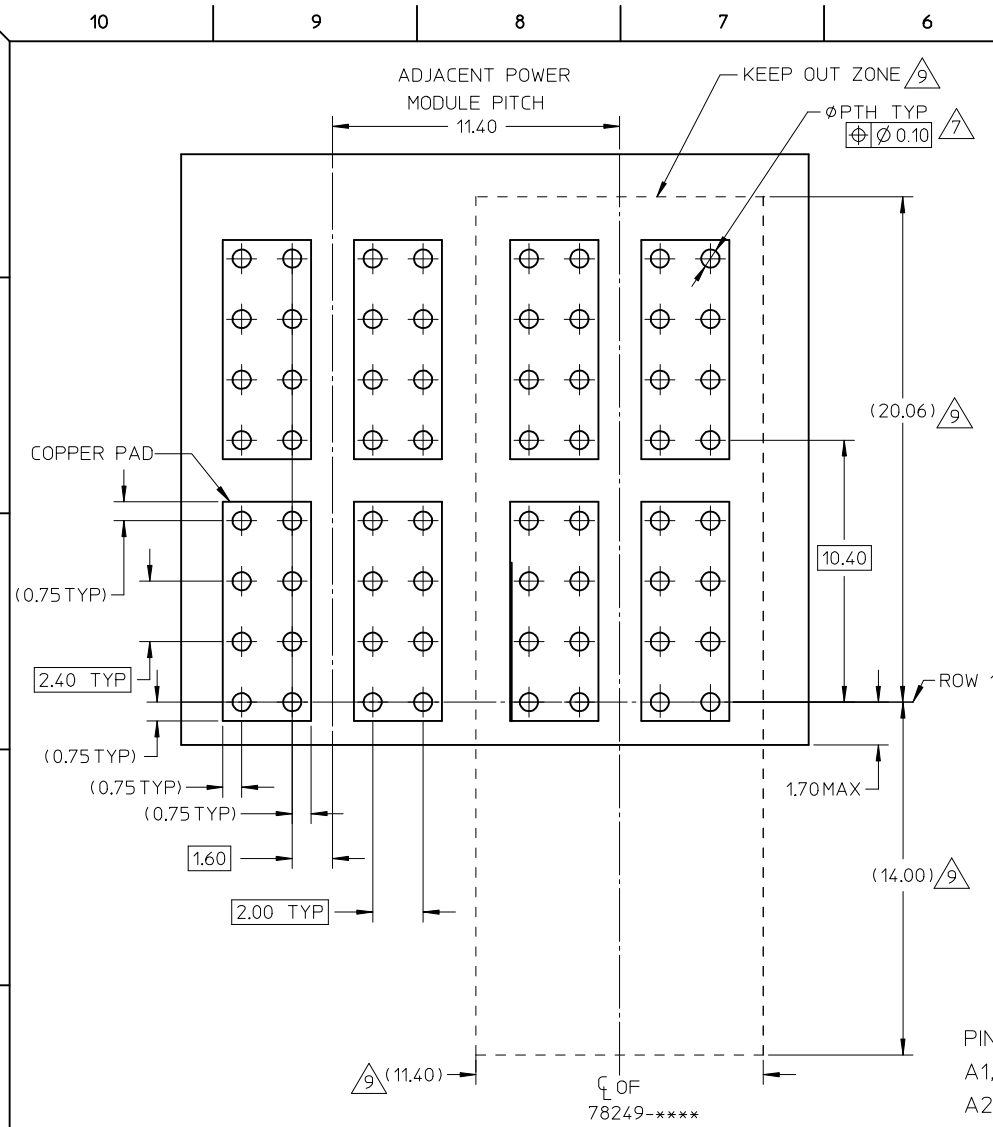


NOTES:

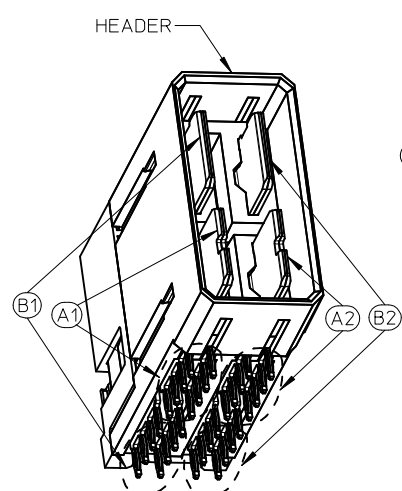
- MATERIAL:
HOUSING - LCP, GLASS FILLED, UL94-V0, COLOR: BLACK
POWER PIN - COPPER ALLOY
- FINISH OPTION:
TIN - 0.76µm MINIMUM GOLD AT CONTACT AND
2.54µm MINIMUM TIN AT SOLDER TAIL AREA OVER
1.27µm MINIMUM NICKEL UNDERPLATE OVERALL.
- PRODUCT SPECIFICATION: PS-78213-001.
- PACKAGING SPECIFICATION: PK-78249-001
- Mates with 78215-**** OR 78351-****
- REFER TO SHEET 2 FOR PCB RECOMMENDED PCB LAYOUT.
- REFER TO MOLEX PRODUCT SPECIFICATION PS-78213-001 FOR PLATED TROUGH-HOLE SPECIFICATION.
- PART NUMBER AND DATE CODE (YYDD) APPROXIMATELY SHOWN.
- KEEP OUT ZONE FROM OTHER COMPONENTS.
- A HOLD DOWN MODULE (78352 SERIES) SHALL BE EMPLOYED IF THERE IS A SIDE LOAD OR VERTICAL LOAD ACTING ON THE CONNECTOR. THIS IS TO PREVENT THE CONNECTOR FROM DISLOCATED FROM PCB.



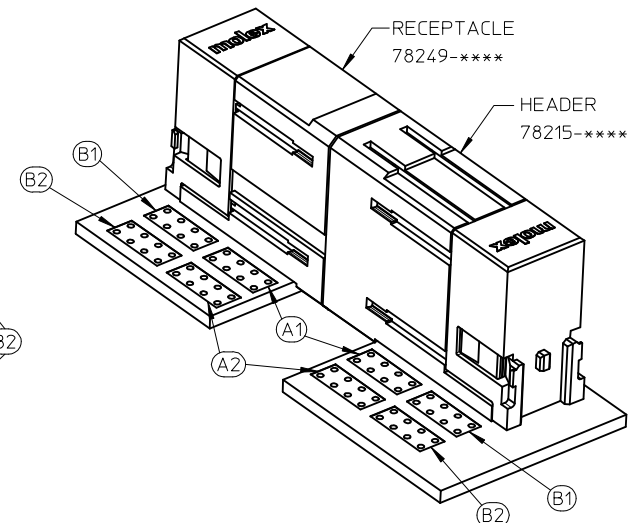
ADD VIEW @ PG2 EC NO: S2014-0872 DRWN: SHONG CHKD: HICGOH APPR: SILENI	2015/01/16 2015/04/07 2015/04/07	DESCRIPTION REV	QUALITY SYMBOLS	GENERAL TOLERANCES (UNLESS SPECIFIED)	DIMENSION STYLE	SCALE	DESIGN UNITS	THIRD ANGLE PROJECTION															
			$F_A=0$ $F_C=0$ $F_P=0$	<table border="1"> <tr> <td></td> <td>mm</td> <td>INCH</td> </tr> <tr> <td>4 PLACES</td> <td>± ---</td> <td>± ---</td> </tr> <tr> <td>3 PLACES</td> <td>± ---</td> <td>± ---</td> </tr> <tr> <td>2 PLACES</td> <td>± 0.25</td> <td>± ---</td> </tr> <tr> <td>1 PLACE</td> <td>± ---</td> <td>± ---</td> </tr> </table>		mm	INCH	4 PLACES	± ---	± ---	3 PLACES	± ---	± ---	2 PLACES	± 0.25	± ---	1 PLACE	± ---	± ---	MM ONLY	NTS	METRIC	
				mm	INCH																		
			4 PLACES	± ---	± ---																		
3 PLACES	± ---	± ---																					
2 PLACES	± 0.25	± ---																					
1 PLACE	± ---	± ---																					
	ANGULAR ± 3 °	DRAWN BY: CTCHO CHECKED BY: LNG APPROVED BY: SHONG MATERIAL NO.: SEE TABLE	DATE: 2012/02/28 DATE: 2012/02/28 DATE: 2012/03/22	TITLE: IMPACT POWER, 5 PAIR RIGHT ANGLE RECEPTACLE PRESS-FIT MOLEX INCORPORATED	SHEET NO.: 1 OF 2																		
B1			DRAFT WHERE APPLICABLE MUST REMAIN WITHIN DIMENSIONS	SIZE: A3 THIS DRAWING CONTAINS INFORMATION THAT IS PROPRIETARY TO MOLEX INCORPORATED AND SHOULD NOT BE USED WITHOUT WRITTEN PERMISSION																			



△ MATED SYSTEM OF 78249 & 78215



PIN NUMBER ASSIGNMENT BASED ON HEADER SIDE:
A1, B1 ON THE LEFT,
A2, B2 ON THE RIGHT.



CIRCUIT PATH OF MATED SYSTEM
(78249 & 78215)

RECOMMENDED PCB LAYOUT
(COMPONENT SIDE SHOWN)
MINIMUM BOARD THICKNESS: 1.60mm

ADD VIEW @ PG2 EC NO: S2014-0872 DRWN: SHONG 2015/01/16 CHKD: HICGOH 2015/04/07 APPR: SILENI 2015/04/07	DESCRIPTION REV	QUALITY SYMBOLS	GENERAL TOLERANCES (UNLESS SPECIFIED)		DIMENSION STYLE		SCALE	DESIGN UNITS	THIRD ANGLE PROJECTION		
		$F_A=0$	mm	INCH	MM ONLY		NTS	METRIC			
		$F_C=0$	4 PLACES	± ---	± ---	DRAWN BY	DATE	TITLE			
		$F_P=0$	3 PLACES	± ---	± ---	CTCHO	2012/02/28	IMPACT POWER, 5 PAIR RIGHT ANGLE RECEPTACLE PRESS-FIT			
	2 PLACES	± 0.25	± ---	CHECKED BY	DATE	MOLEX INCORPORATED					
	1 PLACE	± ---	± ---	LNG	2012/02/28					DOCUMENT NO. SD-78249-001	
	ANGULAR ± 3 °		APPROVED BY		DATE	SHEET NO. 2 OF 2					
	DRAFT WHERE APPLICABLE MUST REMAIN WITHIN DIMENSIONS		SHONG		2012/03/22					THIS DRAWING CONTAINS INFORMATION THAT IS PROPRIETARY TO MOLEX INCORPORATED AND SHOULD NOT BE USED WITHOUT WRITTEN PERMISSION	
			MATERIAL NO.								
			SEE TABLE								
			SIZE								
			A3								