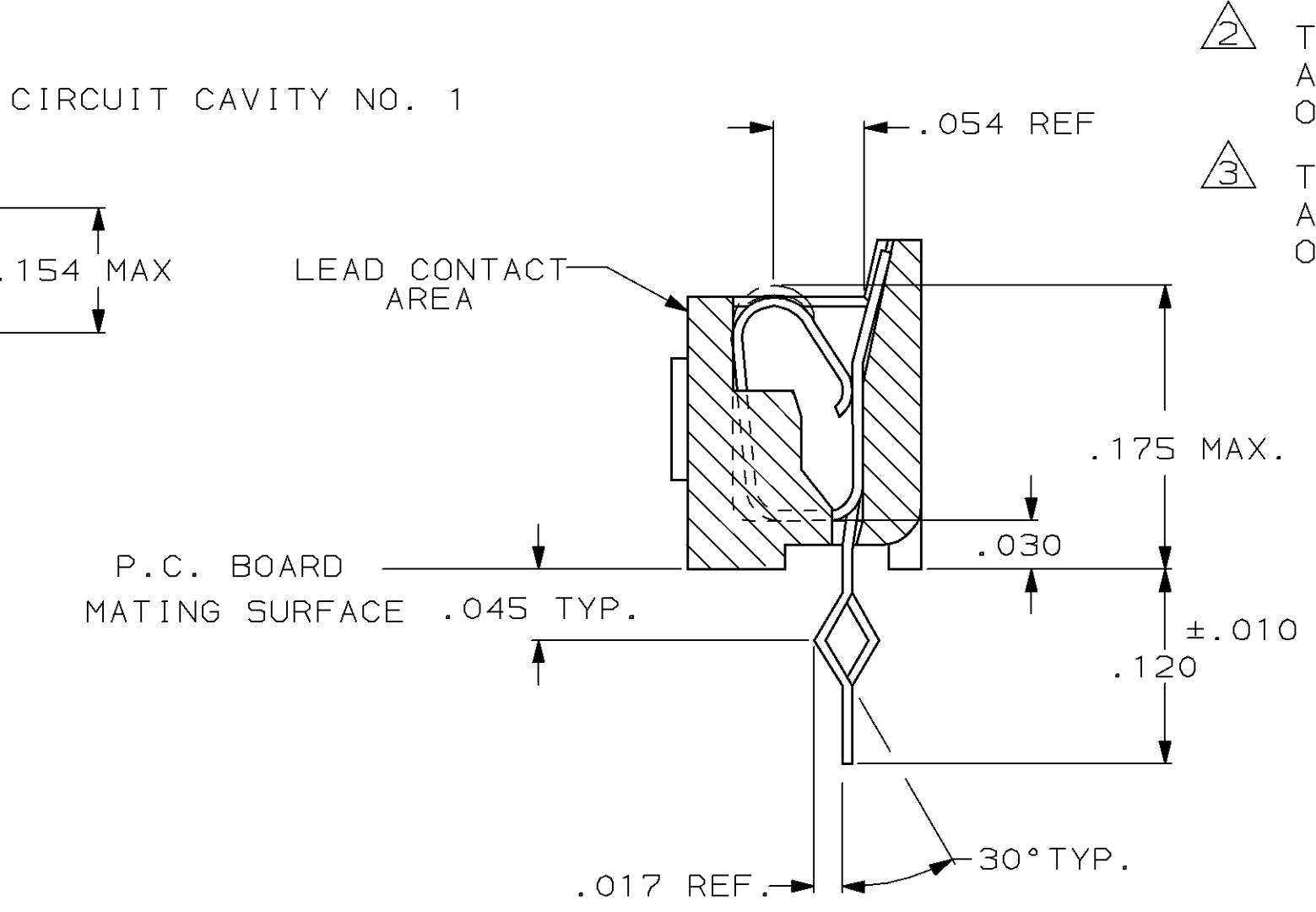
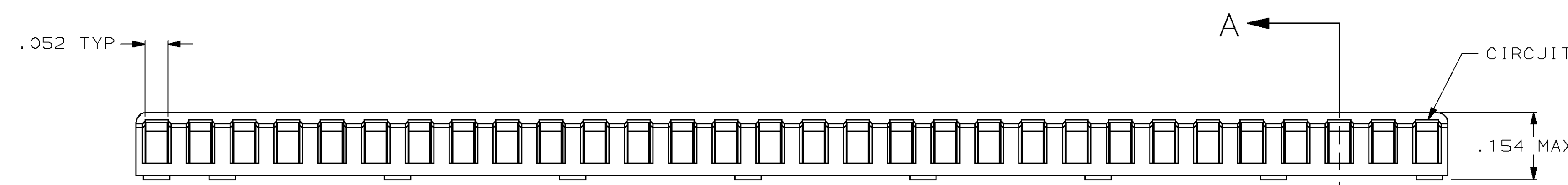
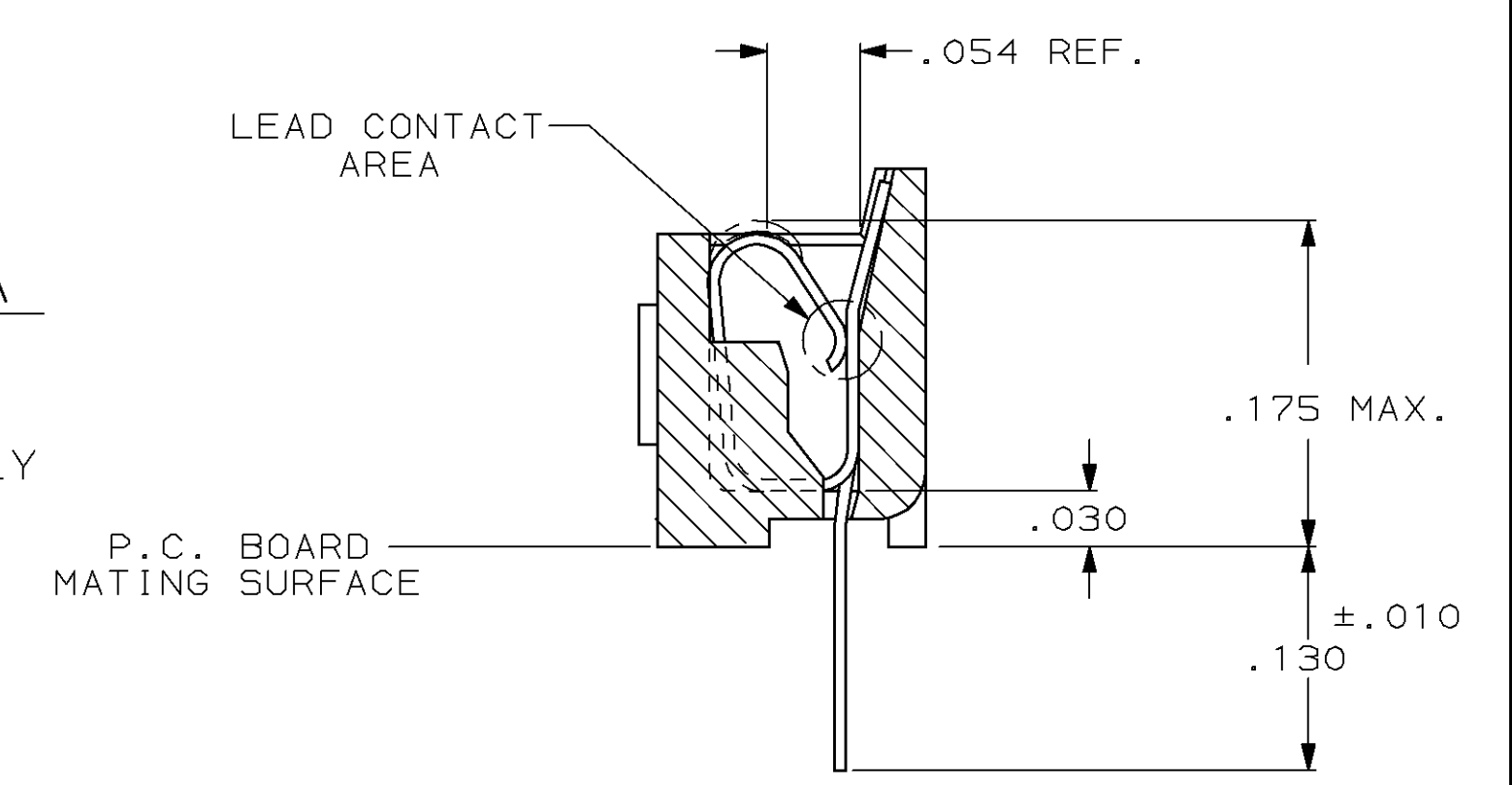


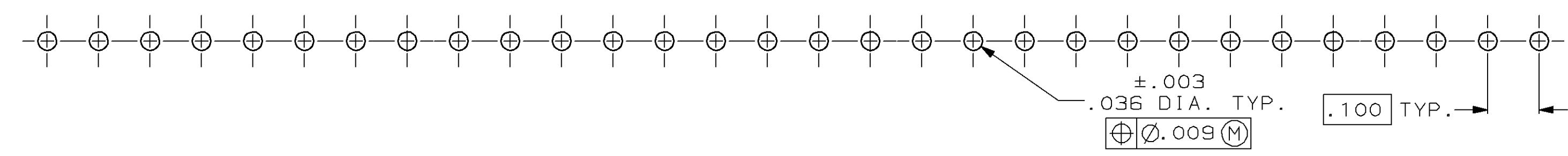
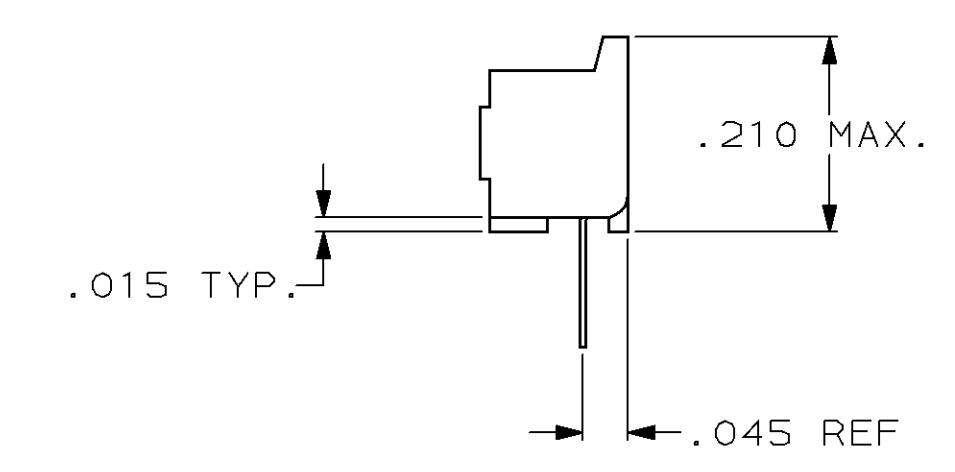
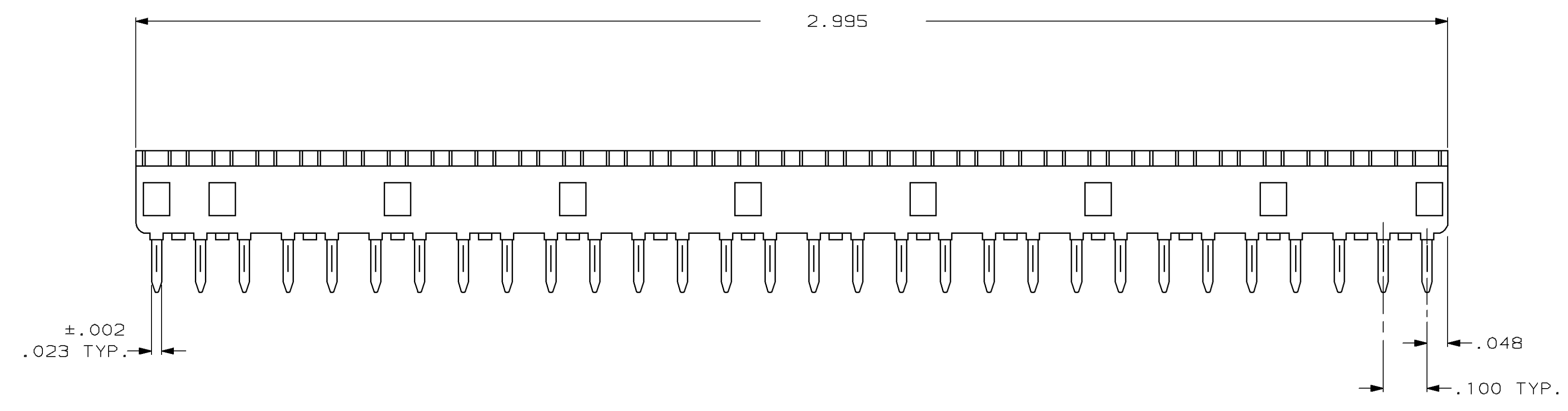
| LOC | DIST | REVISIONS | | | |
|-----|------|------------------------|-----------|-----|------|
| P | LTR | DESCRIPTION | DATE | OWN | APVD |
| H | | REV PER EC 0320-138-97 | 12 MAY 97 | MB | GJ |
| J | | REV PER EC 0330-35-97 | 21 JUL 97 | DH | GJ |



SECTION A-A
 ROTATED 90° CW
 SCALE 10:1
 FOR -6, -7 & -8 ONLY



SECTION A-A
 ROTATED 90° CW
 SCALE 10:1
 FOR -1, -2 & -3 ONLY



RECOMMENDED MOUNTING HOLE PATTERN

| | | | | |
|-------------------|--------|---------------|--|----------|
| OBSOLETE | TINNED | PHOS.BRZ. | GLASS-FILLED THERMOPLASTIC, 94V-0, BLACK | 643662-8 |
| OBSOLETE | | BE.CU. | GLASS-FILLED THERMOPLASTIC, 94V-0, BLACK | 643662-7 |
| OBSOLETE | TINNED | BE.CU. | GLASS-FILLED THERMOPLASTIC, 94V-0, BLACK | 643662-6 |
| SUPSD BY 643662-2 | | PHOS.BRZ. | GLASS-FILLED THERMOPLASTIC, 94V-0, BLACK | 643662-4 |
| OBSOLETE | TINNED | PHOS.BRZ. | GLASS-FILLED THERMOPLASTIC, 94V-0, BLACK | 643662-3 |
| OBSOLETE | | BE.CU. | GLASS-FILLED THERMOPLASTIC, 94V-0, BLACK | 643662-2 |
| OBSOLETE | TINNED | BE.CU. | GLASS-FILLED THERMOPLASTIC, 94V-0, BLACK | 643662-1 |
| CONTACT FINISH | | CONTACT MAT'L | HOUSING MATERIAL | PART NO. |

THIS DRAWING IS A CONTROLLED DOCUMENT.

| | | | |
|--------------------|--|---------------------------|--|
| DIMENSIONS INCHES | TOLERANCES UNLESS OTHERWISE SPECIFIED: | DWN M. CYRUS 6-11-84 | AMP Incorporated Harrisburg, PA 17105-3608 |
| 0 PLC ±.005 | 1 PLC ±.005 | CHK N. JONES 7-3-84 | |
| 2 PLC ±.005 | 3 PLC ±.005 | APVD J. GRAY 7-10-84 | |
| 4 PLC ±.005 | ANGLES ±1° | NAME | SOCKET ASSY, SIP, 30 POS, DIPLOMATE™ DL |
| MATERIAL SEE TABLE | FINISH SEE TABLE | PRODUCT SPEC 108-1066 | SIZE A1 |
| | | APPLICATION SPEC 114-1049 | CAGE CODE DRAWING NO 00779 |
| | | WEIGHT - | RESTRICTED TO - |
| | | CUSTOMER DRAWING | SCALE 5:1 SHEET 1 OF 1 REV J |