

PART NUMBER	REV	TERMINATOR	FEED TYPE	DESCRIPTION
1529199-1	A	BENCH & LEADMAKER	MECH POST FEED	HDI APPLICATOR
7-1529199-1	A	BENCH & LEADMAKER	MECH POST FEED	-1 AND SPARE PARTS
7-1529199-7	A	-	-	SPARE PARTS KIT

LOC	DIST	REV	DATE	BY	APPD
A	66	A	16OCT2006	DP	MC

CRIMP DATA GHW/LEAR TERMINAL LEAR CRIMP SPECS

CRIMP	SIZE	TYPE	RANGE
WIRE	1.91 [.075 IN]	F	0.50mm ² -1.00mm ²
INSUL	3.05 [.120 IN]	F	2.00-2.70 [.079-.106 IN]

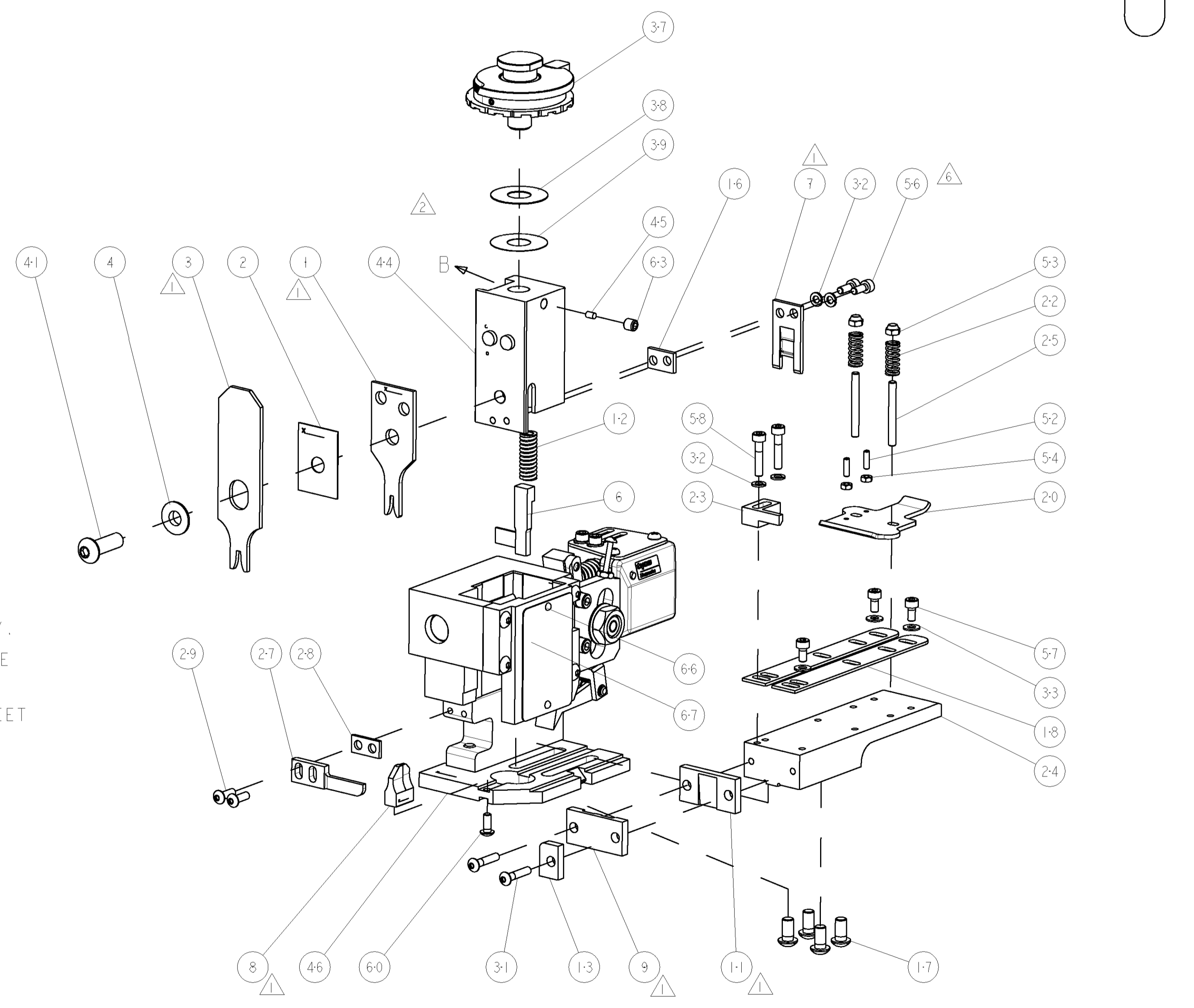
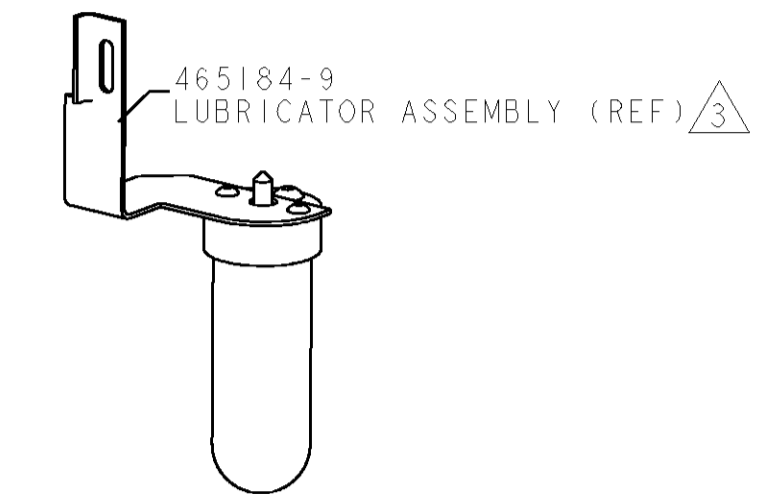
WIRE STRIP LENGTH 3.50-4.00 [.138-.157 IN] APPL INSTRUCTIONS 408-8323 & 408-8490

TERMINAL	LEAR SHEET	FEED
APPL SPEC	25029	14.61 [.575 IN]

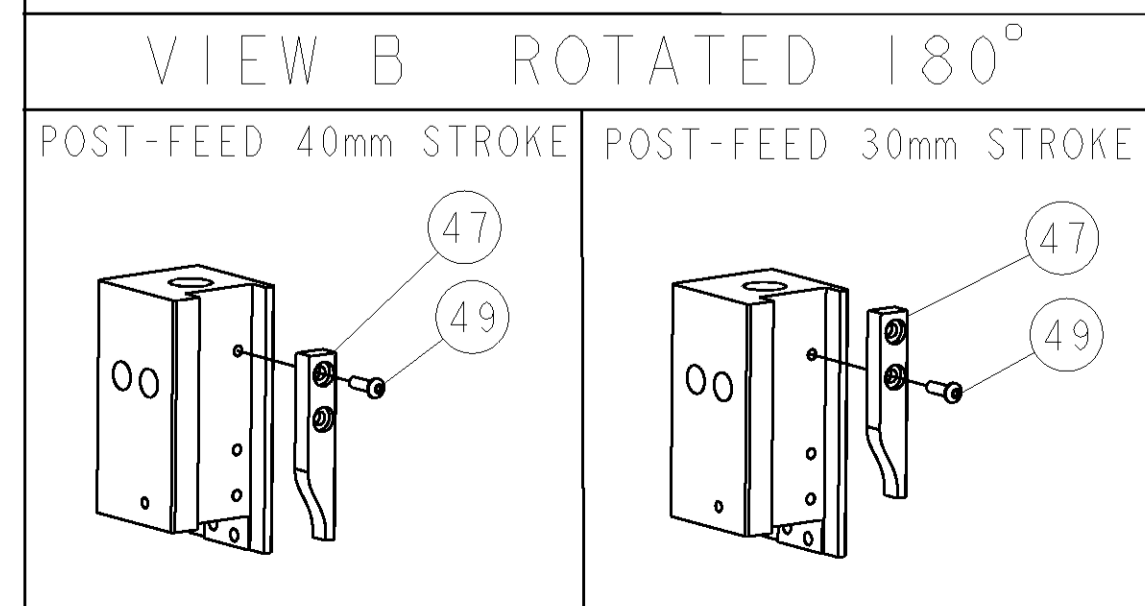
TERMINALS APPLIED

TYCO PN	MANUF'S PN	TYCO PN	MANUF'S PN
1949157-1	25029.213.011	1949157-5	25029.417.031
1949157-2	25029.213.004	-	-
1949157-3	25029.123.204	-	-
1949157-4	25029.123.211	-	-

WIRE SIZE	CRIMP HEIGHT	REF SETTING
1.00mm ²	1.25 ±0.05 [.049 ±.002 IN]	C3
0.75mm ²	1.20 ±0.05 [.047 ±.002 IN]	C6
0.50mm ²	1.15 ±0.05 [.045 ±.002 IN]	D0



- 1 RECOMMENDED SPARE PARTS
- 2 GREASE RAM, CAM, CAM FOLLOWER AND FEED ROD LIGHTLY.
- 3 CERTAIN TERMINALS REQUIRE LUBRICATION. REFER TO THE APPLICATOR INSTRUCTION SHEET FOR MORE INFORMATION.
- 4 LUBRICATE DAILY PER THE APPLICATOR INSTRUCTION SHEET SUPPLIED WITH THE APPLICATOR.
- 5 TERMINAL APPLIES TYPE FLY INSULATION.
- 6 ITEM 56, CUT TO LENGTH AT ASSEMBLY.



*** WARNING**
 ON INSTALLATION, SET WIRE DISC TO LARGEST WIRE SIZE SETTING. USE OF SETTINGS BELOW MIN. REQUIRED CRIMP HEIGHT SETTING WILL CAUSE DAMAGE TO CRIMP TOOLING.

-	1	1	1338705-4	DOCUMENTATION PACKAGE	71
-	1	1	461264-5	PLATE, IDENTIFICATION	67
-	2	2	21017-2	SCREW, DRIVE	66
-	1	1	3-18031-0	SCR, SET, CUP POINT M6 X 6.0	63
-	1	1	18024-7	SCR, BTN SKT HD CAP (M4 X 10.0)	60
-	2	2	1-18023-4	SCR, SKT HD CAP M4 X 20.0	58
-	3	3	1-18023-0	SCR, SKT HD CAP M4 X 8.0	57
-	2	2	1-18023-1	SCR, SKT HD CAP M4 X 10.0	56
-	2	2	18029-1	NUT, HEX, REG M3	54
-	2	2	986965-1	NUT, LOCK, HEX, TORQUE (M4)	53
-	2	2	2-18032-2	SCR, SET, FLT POINT M3 X 10.0	52
-	1	1	18024-3	SCR, BTN SKT HD CAP (M3 X 10.0)	49
-	1	1	1338676-1	CAM, UNIVERSAL POST-FEED	47
-	1	1	1338662-1	SUB ASSY, APPLICATOR FRAME	46
-	1	1	690191-1	PLUG, NYLON	45
-	1	1	1320998-1	RAM	44
-	1	1	2-18024-6	SCR, BTN SKT HD CAP (M8 X 25.0)	41
-	1	1	690125-1	SHIM SUB-ASSY	39
-	1	1	469367-9	SHIM	38
-	1	1	879103-2	FINE ADJUST HEAD ASSEMBLY	37
-	3	3	18027-2	WASHER, FLAT, REG M4	33
-	4	4	18025-2	WASHER, SPRG LOCK, REG M4	32
-	2	2	1-18024-0	SCR, BTN SKT HD CAP (M4 X 20.0)	31
-	2	2	18024-8	SCR, BTN SKT HD CAP (M4 X 12.0)	29
-	1	1	3-690451-2	SPACER, STRIPPER	28
-	1	1	240639-1	STRIPPER (MACHINING)	27
-	2	2	1320906-1	STUD, THREADED	25
-	1	1	1320995-1	PLATE, STRIP GUIDE	24
-	1	1	240825-3	PLATE, STRIP HOLD DOWN	23
-	2	2	4-22281-1	SPRING, DRAG	22
-	1	1	1338665-1	DRAG	20
-	2	2	1338663-3	GUIDE, LOWER STRIP	18
-	4	4	1-18024-8	SCR, BTN SKT HD CAP (M6 X 12.0)	17
-	1	1	1338708-1	SPACER, SLUG BLADE	16
-	1	1	690481-2	SPACER, HOLD DOWN	13
-	1	1	23846-1	SPRING, DIE	12
-	1	1	240644-1	PLATE, REAR SHEAR	11
-	1	1	690482-4	PLATE, FRONT SHEAR	9
-	1	2	1633384-4	ANVIL, COMBINATION	8
-	1	1	690474-4	BLADE, SLUG	7
-	1	1	8-455892-4	HOLD DOWN, TERMINAL	6
-	1	1	2-238009-7	BLOCK, FL CRIMPER SPACER	4
-	1	2	1-456134-0	CRIMPER, INSULATION F PREMIUM	3
-	1	1	455888-4	SPACER, CRIMPER	2
-	1	2	4-1673600-2	CRIMPER, WIRE	1

ITEM NO	PART NO	DESCRIPTION
-77	-71	-1

DATE	21SEP2006	BY	D. PROUSE
DATE	21SEP2006	BY	M. CLIFFORD
PRODUCT SPEC	FINE ADJUST END FEED HDI APPLICATOR		
APPLICATION SPEC	-		
SIZE	CAGE CODE	DRAWING NO	RESTRICTED TO
A1	00779	C=1529199	-
CUSTOMER DRAWING	SCALE	3:5	SHEET 1 OF 1 REV A