

MATERIALS AND FINISHES

BODY ZINC ALLOY
PLATED NICKEL

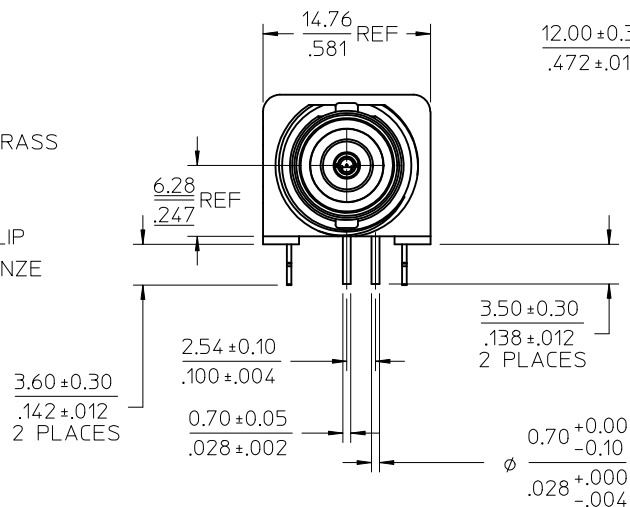
CENTER CONTACT PHOSPHOR BRONZE
PLATED GOLD

INSULATOR POLYPROPYLENE

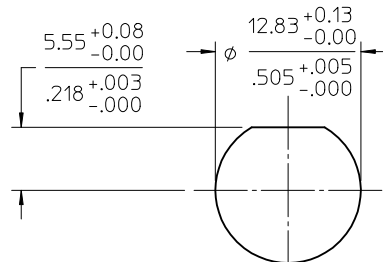
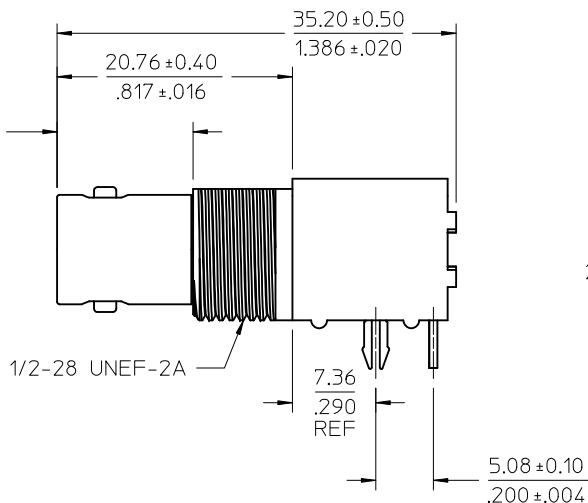
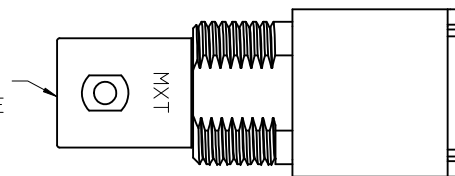
HOUSING P.B.T.
COLOR BLACK

SOLDER TAIL BRASS
PLATED TIN

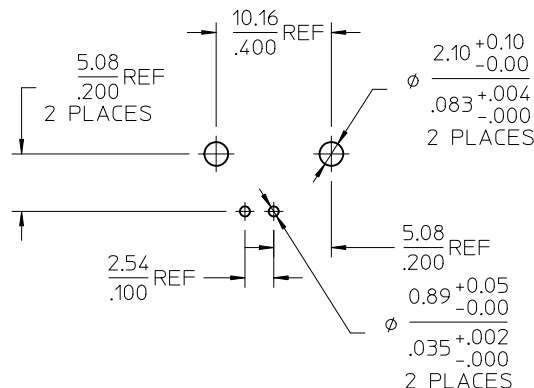
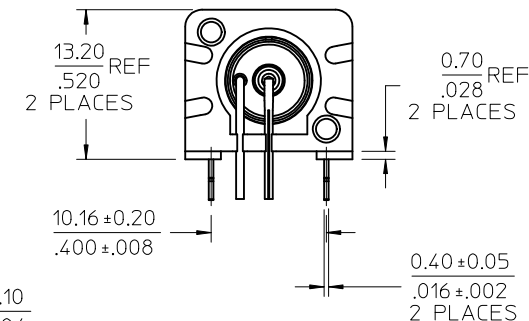
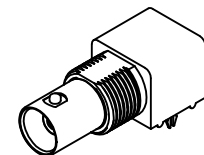
BOARD LOCK CLIP
PHOSPHOR BRONZE
PLATED TIN



BNC JACK
INTERFACE



RECOMMENDED MOUNTING HOLE
RECOMMENDED MOUNTING
TORQUE: 0.56 N-m (5.0 IN-LBS)
PANEL THICKNESS: 5.5 (.217) MAX



RECOMMENDED PCB LAYOUT

73171-3060	73100-0167, ONE PER BAG
73100-0167	TRAY PACK
PART NO.	PACKAGING

PS-89675-1030	ELECTRO/MECH PERFORM
SPECIFICATION	DESCRIPTION

CHG: PS WAS 73598-0050 EC NO: URF2011-0750 DRWN: WIENER 2011/06/24 CHKD: SSS 2011/06/24 APPR: WIENER 2011/06/29	QUALITY SYMBOLS ▽=0 ▽=0	GENERAL TOLERANCES (UNLESS SPECIFIED) <table border="1"> <tr> <th></th> <th>mm</th> <th>INCH</th> </tr> <tr> <td>4 PLACES</td> <td>± ---</td> <td>± ---</td> </tr> <tr> <td>3 PLACES</td> <td>± ---</td> <td>± ---</td> </tr> <tr> <td>2 PLACES</td> <td>± ---</td> <td>± ---</td> </tr> <tr> <td>1 PLACE</td> <td>± ---</td> <td>± ---</td> </tr> </table> ANGULAR ± ---°		mm	INCH	4 PLACES	± ---	± ---	3 PLACES	± ---	± ---	2 PLACES	± ---	± ---	1 PLACE	± ---	± ---	DIMENSION STYLE MM/IN	SCALE DESIGN UNITS METRIC	THIRD ANGLE PROJECTION
				mm	INCH															
4 PLACES	± ---	± ---																		
3 PLACES	± ---	± ---																		
2 PLACES	± ---	± ---																		
1 PLACE	± ---	± ---																		
DRAWN BY IRIS DATE 1995/02/14 CHECKED BY DATE APPROVED BY DATE	TITLE BNC JACK R/A PCB TH COMMERCIAL 50 OHM BNC-J/RA/PCB	MATERIAL NO. SEE TABLE SIZE C	DOCUMENT NO. SD-73100-0167	SHEET NO. 1 OF 1																

DRAFT WHERE APPLICABLE
MUST REMAIN
WITHIN DIMENSIONS

THIS DRAWING CONTAINS INFORMATION THAT IS PROPRIETARY TO MOLEX INCORPORATED AND SHOULD NOT BE USED WITHOUT WRITTEN PERMISSION