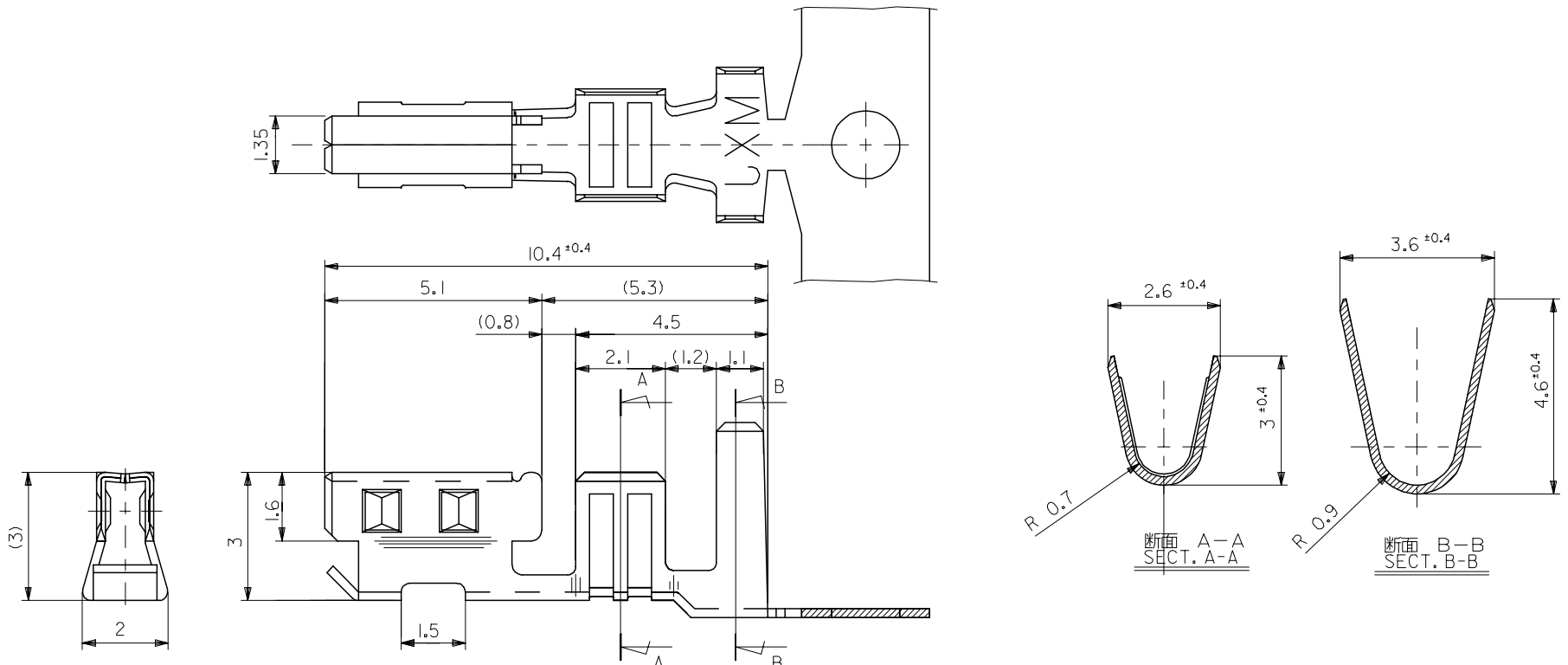


10 9 8 7 6 5 4 3 2 1

F
E
D
C
B
A



∅1.87~2.45	0.55~1.39mm ² (AWG# 16~20, AVS-0.5)	51128-***01 51097-***00	黄銅、錫メッキ材 TIN PLATED BRASS t=0.2	50350-9101	バラ状 LOOSE
∅2~2.6	0.56~1.29mm ² (AVS-0.5~1.25相当) (CORRESPOND TO AVS-0.5~1.25)	51120-***0*		50350-9001	連鎖状 CHAIN
∅1.87~2.45	0.55~1.39mm ² (AWG# 16~20)	51128-***01 51097-***00	材料 MATERIAL	ENG. NO.	端子形状 FORM
∅2~2.6	0.56~1.29mm ² (AVS-0.5~1.25相当) (CORRESPOND TO AVS-0.5~1.25)	51120-***0*			
被覆外形 INS. RANGE	適用電線範囲 WIRE RANGE	適合ハウジング APPLICABLE HOUSING			

REVISED EC NO: J2006-0425 DRWN: HAJI MA 2005/11/07 CHKDN: UKITA 2005/11/07 APPR: NUKITA 2005/11/11	GENERAL TOLERANCES (UNLESS SPECIFIED)		DIMENSION STYLE MM ONLY		SCALE 10:1	DESIGN UNITS METRIC	THIRD ANGLE PROJECTION	
	10 UNDER	±0.2	DRAWN BY M. SANO	DATE '92/03/18	TITLE 2.5/3.0 WIRE TO BORAD CONN. CRIMP RECEPTACLE			
	10 OVER 30 UNDER	±0.25	CHECKED BY M. SANO M. SAK	DATE '95/06/27				
	30 OVER	±0.3	APPROVED BY M. ENOMOTO	DATE '95/06/27	MOLEX INCORPORATED			
ANGULAR	±3 °	MATERIAL NO.	DOCUMENT NO. SD-50350-9*01	SHEET NO. 1 OF 1				
DRAFT WHERE APPLICABLE MUST REMAIN WITHIN DIMENSIONS		SIZE A3	SEE CHART					THIS DRAWING CONTAINS INFORMATION THAT IS PROPRIETARY TO MOLEX INCORPORATED AND SHOULD NOT BE USED WITHOUT WRITTEN PERMISSION