



Copyright FCI.

A

B

C

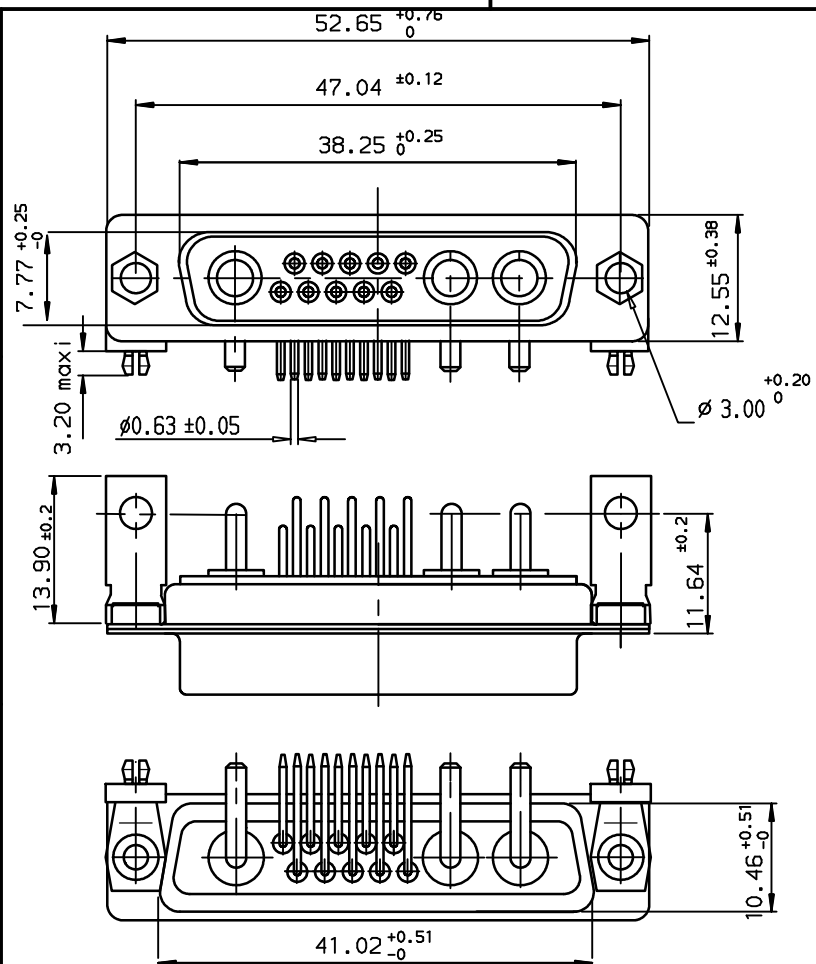
D

A

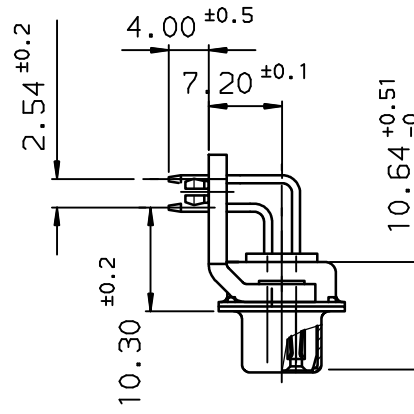
B

C

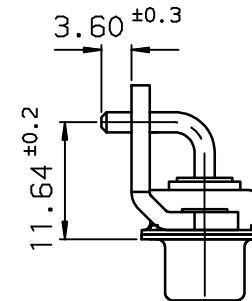
D



VIEW WITHOUT POWERS CONTACTS



VIEW WITH POWERS CONTACTS



TIN LEAD PART NUMBER

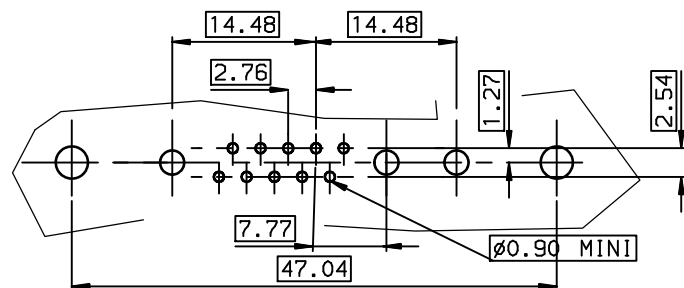
DB13W3S500G30
PART NUMBER

LEAD FREE PART NUMBER

DB13W3S500G30LF
PART NUMBER

LAYOUT DIMENSIONS (after plating)

CONNECTOR SIDE VIEW



GENERAL CHARACTERISTICS AND ROHS INFORMATIONS:  
SEE DRAWING C01-8639-0000

European Views

www.fciconnect.com		surface ISO 1302 ✓	tolerance std ISO 406 ISO 1101	projection mm
TOLERANCES UNLESS OTHERWISE SPECIFIED				
Dr	JARRY	1995/10/16	ANGULAR	size A3
Eng	PESSON	1995/10/16	LINEAR	Scale 2
Chr	LEGARE	1995/10/16	0.xx' ±2'	ECN LS06-0095
Appr	LEGARE	1995/10/16	0.xxx ±0.1	Spec ref -
Product family			D-SUB	
title SOCKET CONNECTOR FOR POWERS CONTACTS .		fig no C01-8639-0591		Rev. D
catalog no		CUSTOMER sheet 1 of 1		

rev	ecn no	dr	date
B	-	BAR	2003/10/29
C	LS05-001	MPE	2005/03/07
D	LS06-0095	LGO	2006/07/19
-	-	-	-
-	-	-	-
-	-	-	-

REV F - 2006-04-17