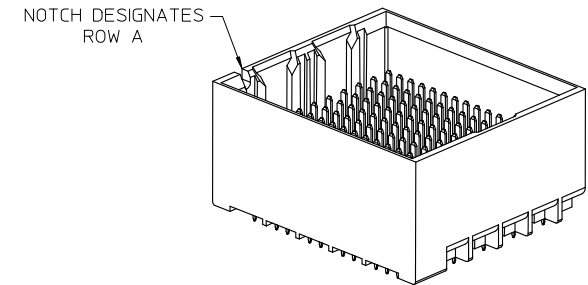


KEEP OUT ZONE
 UNGUIDED BACKPLANE HOLE PATTERN (CONNECTOR SIDE) SEE NOTE 9
 $\varnothing 0.10$
 SEE PART NUMBER CHART AND PART NUMBER LOGIC (15 HOLES PER COLUMN)



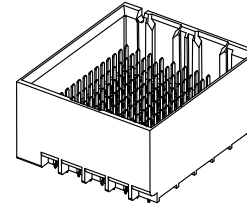
NOTES:

1. MATERIALS: HOUSING - LIQUID CRYSTAL POLYMER (LCP)
GLASS-FILLED, UL94V-0
TERMINALS - HIGH PERFORMANCE COPPER ALLOY
2. FINISH: 10 μNCH MIN GOLD IN CONTACT AREA.
SELECTIVE MATTE TIN (LEAD-FREE) ON PCB TAILS, NICKEL OVERALL.
3. REFER TO MOLEX PRODUCT SPECIFICATION PS-76060-999 FOR PERFORMANCE SPECIFICATIONS AND ADDITIONAL PCB INFORMATION.
4. THIS PART CONFORMS TO CLASS B REQUIREMENTS OF MOLEX COSMETIC SPEC PS-45499-002.
5. PARTS PACKAGED PER PK-70873-7702.
6. SEE SHEETS 2 & 3 FOR PART NUMBERS AND BOARD RELATIONSHIPS.
7. MATES WITH IMPACT DC SERIES NO. 76060.
8. REFER TO MOLEX PCB ROUTING GUIDE AS-76060-990 FOR ANTIPAD AND ROUTING RECOMMENDATIONS.
9. *THESE DIMENSIONS REPRESENT THE AREA NEEDED TO ACCOMMODATE CONNECTOR INSERTION AND REPAIR ON THE PC BOARD. THIS IS REFERRED TO AS THE "CONNECTOR KEEP OUT ZONE" AND DOES NOT REPRESENT THE ACTUAL PERIMETER OF THE CONNECTOR. WHEN LAYING OUT A PC BOARD FOR CONNECTORS STACKED TOGETHER, USE THE 1.9mm PROGRESSION.*

MINOR CHANGE EC NO: UCP2012-3822 DRAWINGS CHKD: 2012/05/22 APPR: RNELSON 2012/06/04	QUALITY SYMBOLS ▽=0 ▽=0 ▽=0	GENERAL TOLERANCES (UNLESS SPECIFIED)		DIMENSION STYLE MM ONLY		SCALE 4:1	DESIGN UNITS METRIC	THIRD ANGLE PROJECTION		
		4 PLACES ± --- ± ---	mm	INCH	DRAWN BY JB INGHAM	DATE 2011/11/21	TITLE IMPACT 5 PAIR BACKPLANE UNGUIDED ASSEMBLY SALES DRAWING molex			
		3 PLACES ± --- ± ---			CHECKED BY JLAURX	DATE 2011/11/21				
		2 PLACES ± 0.13 ± ---			APPROVED BY JLAURX	DATE 2011/12/02	DOCUMENT NO. SD-171296-0001	SHEET NO. 1 OF 3		
		1 PLACE ± 0.25 ± ---			MATERIAL NO. SEE CHART					
		0 PLACE ± ±			SIZE C		THIS DRAWING CONTAINS INFORMATION THAT IS PROPRIETARY TO MOLEX INCORPORATED AND SHOULD NOT BE USED WITHOUT WRITTEN PERMISSION			
		ANGULAR ±1/2°								
		DRAFT WHERE APPLICABLE MUST REMAIN WITHIN DIMENSIONS								

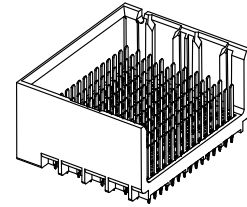
PART NUMBER CHART

MATERIAL NUMBER	# OF COLUMNS	# OF DIFF PAIR	DIM "A"	DIM "B"	DUAL END WALL OPTION
171296-182*	8	40	17.9	13.30	
171296-112*	10	50	21.7	17.10	
171296-122*	12	60	25.5	20.90	
171296-172*	14	70	29.3	24.70	
171296-162*	16	80	33.1	28.50	



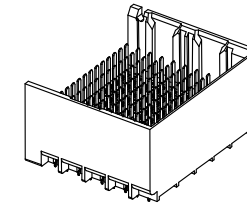
DUAL END
WALL OPTION

MATERIAL NUMBER	# OF COLUMNS	# OF DIFF PAIR	DIM "A"	DIM "B"	LEFT END WALL OPTION
171296-118*	8	40	16.5	13.30	
171296-111*	10	50	20.3	17.10	
171296-121*	12	60	24.1	20.90	
171296-171*	14	70	27.9	24.70	
171296-161*	16	80	31.7	28.50	



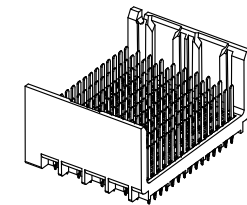
LEFT END
WALL OPTION

MATERIAL NUMBER	# OF COLUMNS	# OF DIFF PAIR	DIM "A"	DIM "B"	RIGHT END WALL OPTION
171296-183*	8	40	16.5	13.30	
171296-113*	10	50	20.3	17.10	
171296-123*	12	60	24.1	20.90	
171296-173*	14	70	27.9	24.70	
171296-163*	16	80	31.7	28.50	



RIGHT END
WALL OPTION

MATERIAL NUMBER	# OF COLUMNS	# OF DIFF PAIR	DIM "A"	DIM "B"	OPEN WALL OPTION
171296-180*	8	40	15.1	13.30	
171296-110*	10	50	18.9	17.10	
171296-120*	12	60	22.7	20.90	
171296-170*	14	70	26.5	24.70	
171296-160*	16	80	30.3	28.50	



OPEN
WALL OPTION

SEE SHEET 1 EC NO: UCP2012-3822 DRWNGES 2012/05/22 CHKD: APPR:RNELSON 2012/06/04	QUALITY SYMBOLS ▽=0 ▽=0 ▽=0	GENERAL TOLERANCES (UNLESS SPECIFIED)		DIMENSION STYLE MM ONLY		SCALE 2:1	DESIGN UNITS METRIC	THIRD ANGLE PROJECTION	
		4 PLACES ± --- ± --- 3 PLACES ± --- ± --- 2 PLACES ± 0.13 ± --- 1 PLACE ± 0.25 ± --- 0 PLACE ± ±	mm INCH DRAWN BY JB INGHAM DATE 2011/11/21 CHECKED BY JLAURX DATE 2011/11/21 APPROVED BY JLAURX DATE 2011/12/02	TITLE IMPACT 5 PAIR BACKPLANE UNGUIDED ASSEMBLY SALES DRAWING			DOCUMENT NO. SD-171296-0001		SHEET NO. 2 OF 3
DRAFT WHERE APPLICABLE MUST REMAIN WITHIN DIMENSIONS		ANGULAR ±1/2°		SEE CHART		THIS DRAWING CONTAINS INFORMATION THAT IS PROPRIETARY TO MOLEX INCORPORATED AND SHOULD NOT BE USED WITHOUT WRITTEN PERMISSION			

PART NUMBER LOGIC

171296-****

MODULE TYPE
1 = UNGUIDED, MATTE TIN

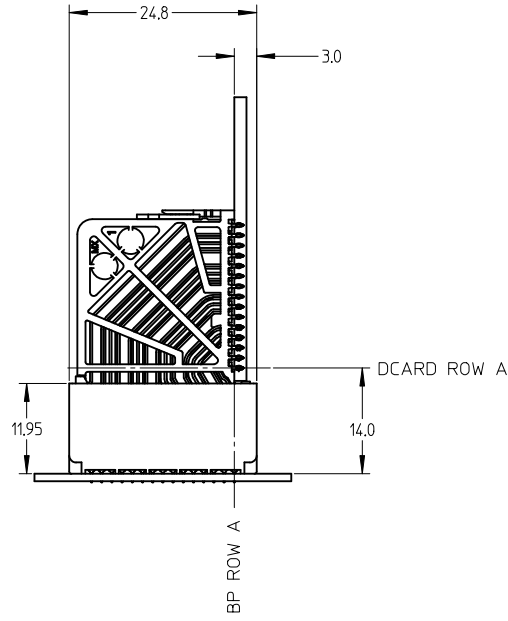
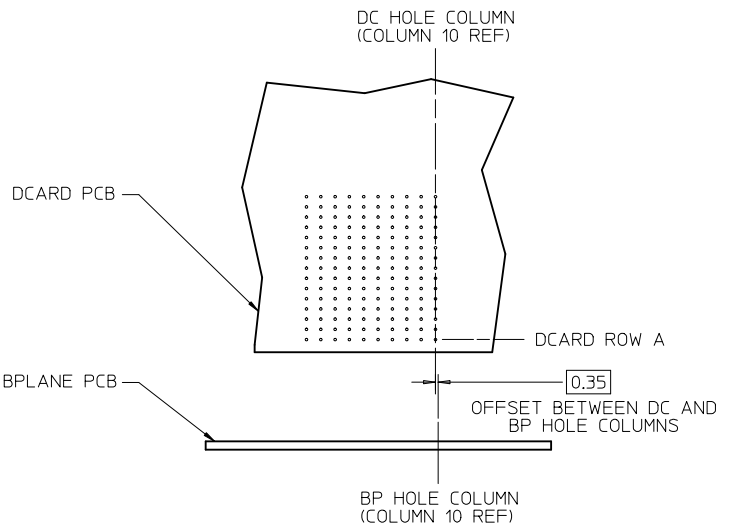
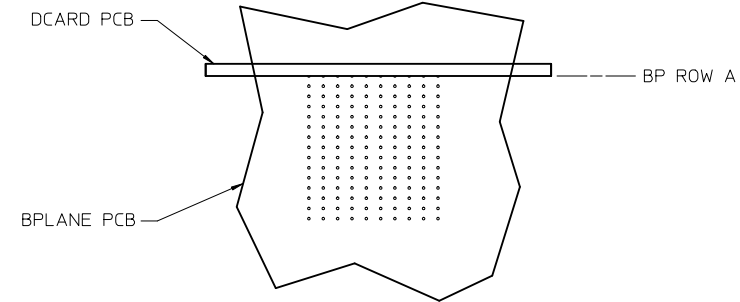
OF COLUMNS
1 = 10 COL
2 = 12 COL
6 = 16 COL
7 = 14 COL
8 = 8 COL

P=PIN LENGTH

3 = 4.50 (SHORT COMPLIANT, 0.46±0.05 PTH)
4 = 4.90 (SHORT COMPLIANT, 0.46±0.05 PTH)
5 = 5.50 (SHORT COMPLIANT, 0.46±0.05 PTH)
6 = 4.50 (MICRO COMPLIANT, 0.39±0.05 PTH)
7 = 4.90 (MICRO COMPLIANT, 0.39±0.05 PTH)
8 = 5.50 (MICRO COMPLIANT, 0.39±0.05 PTH)

END WALL OPTIONS
0 = OPEN ENDS
1 = LEFT END WALL
2 = DUAL END WALL
3 = RIGHT END WALL

IMPACT 5 PAIR BOARD RELATIONSHIPS



SEE SHEET 1 EC NO: UCP2012-3822 DRWNGES 2012/05/22 CHKD: APPR:RNELSON 2012/06/04 REV:	QUALITY SYMBOLS	GENERAL TOLERANCES (UNLESS SPECIFIED)	DIMENSION STYLE MM ONLY	SCALE 2:1	DESIGN UNITS METRIC	THIRD ANGLE PROJECTION
	▽=0	mm INCH	DRAWN BY DATE JB INGHAM 2011/11/21	TITLE	IMPACT 5 PAIR BACKPLANE UNGUIDED ASSEMBLY SALES DRAWING	
	▽=0	4 PLACES ± --- ± ---	CHECKED BY DATE JLAURX 2011/11/21	molex DOCUMENT NO. SD-171296-0001 SHEET NO. 3 OF 3		
	▽=0	3 PLACES ± --- ± ---	APPROVED BY DATE JLAURX 2011/12/02			
		2 PLACES ± 0.13 ± ---	MATERIAL NO. SEE CHART			
		1 PLACE ± 0.25 ± ---	DRAFT WHERE APPLICABLE MUST REMAIN WITHIN DIMENSIONS			
		0 PLACE ± ±	ANGULAR ±1/2°			
			SIZE C THIS DRAWING CONTAINS INFORMATION THAT IS PROPRIETARY TO MOLEX INCORPORATED AND SHOULD NOT BE USED WITHOUT WRITTEN PERMISSION			