

REVISIONS

変更

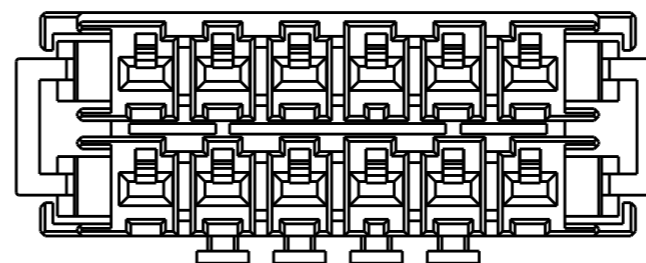
P	LTR	DESCRIPTION	DATE	DWN	APVD
	A	RELEASED	02AUG2016	Y.O	N.Y
	AI	ADD NEW PART NUMBER. ECR-17-004498	27MAR2017	Y.O	N.Y

本寸法はアータム - A - で測定されること

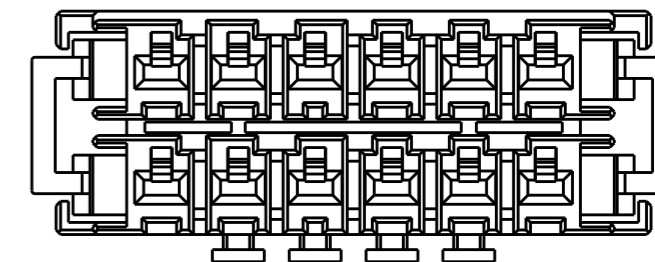
2. 本図はリセハウジング | 個とストレインリリーフプレート | 個のキット図面である

THIS DIMENTION MUST BE MEASURED AT - A - OF HOUSING

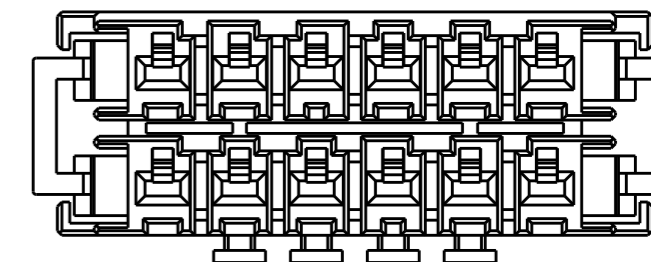
2. THIS DRAWING IS KIT DRAWING OF REC HOUSING (1pc) AND STRAIN RELIEF PLATE (1pc)



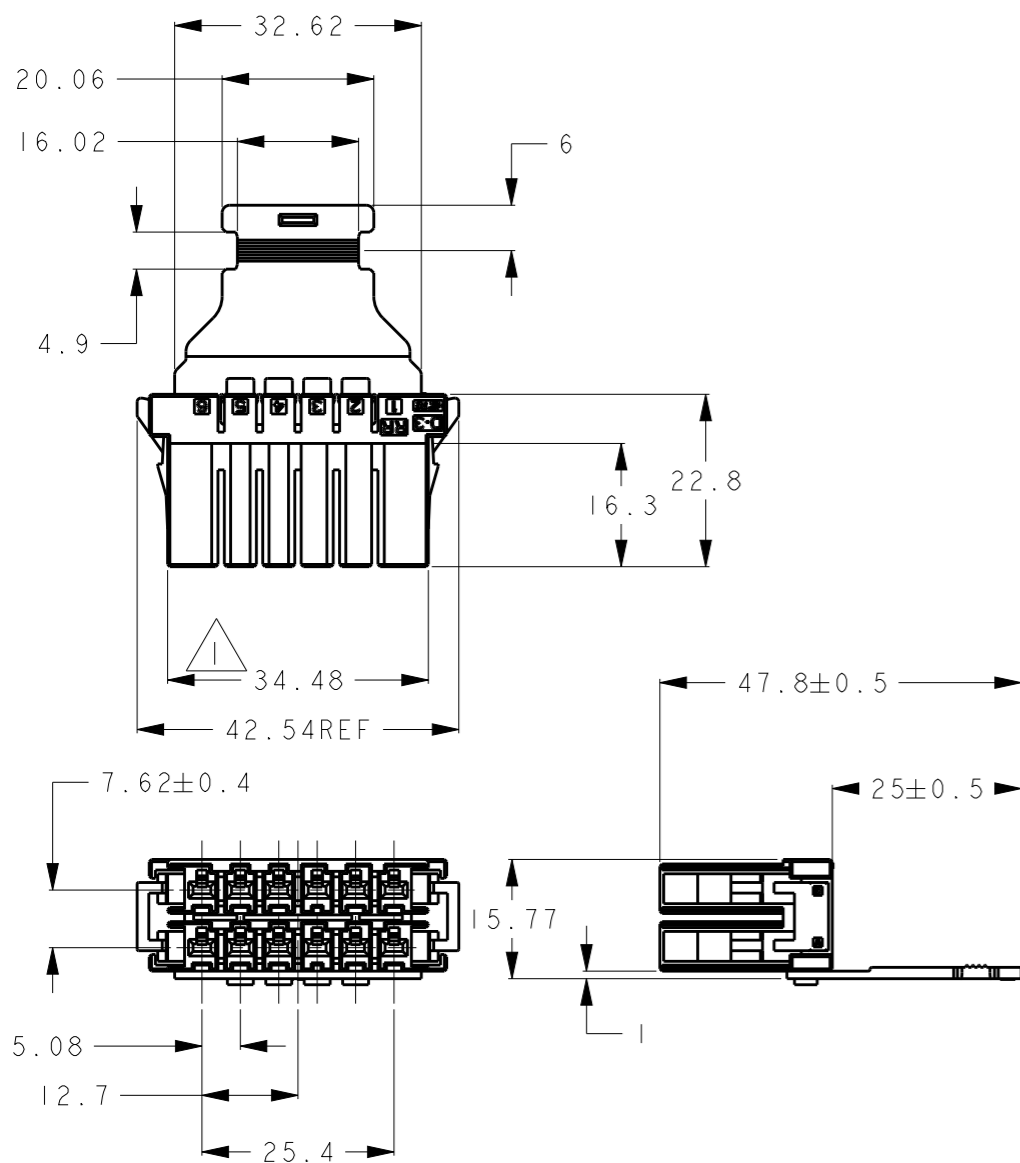
RR-KEYING
1-2291728-2



SS-KEYING
2-2291728-2

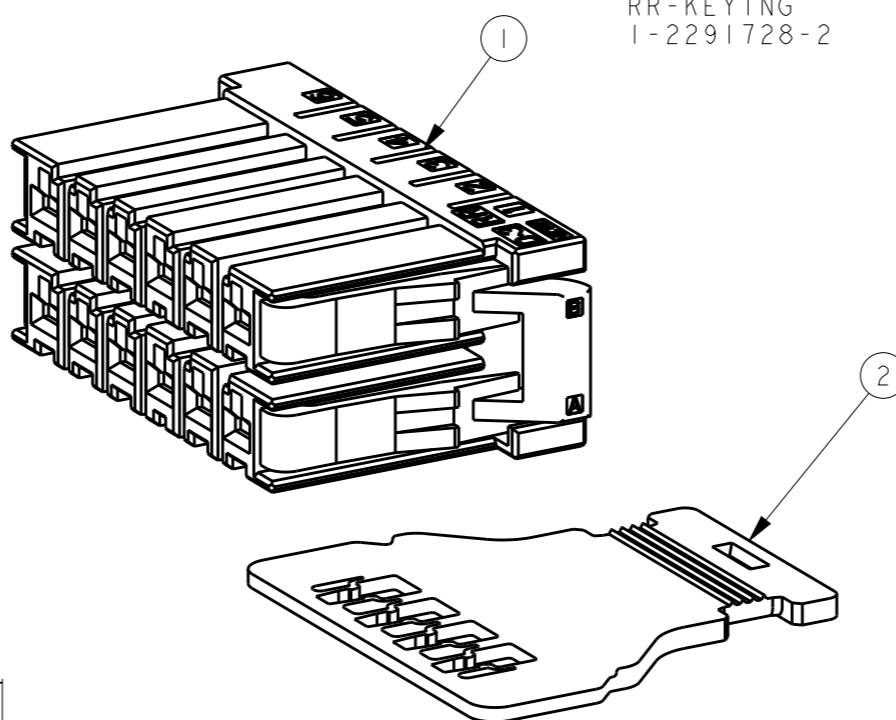


RS-KEYING
3-2291728-2



SCALE 1:1
スケール 1:1

DIMENSIONS OF AFTER ATTACHED STRAIN RELIEF PLATE
ストレインリリーフ取り付け後寸法



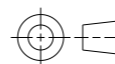
1	1	1	MATERIAL:THERMO PLASTIC, POLYESTER COLOR : BLACK	STRAIN RELIEF PLATE	2291733-6	2
1	-	-	MATERIAL:THERMO PLASTIC, POLYESTER COLOR : BLACK	REC HSG 12P RS-KEY	3-2291728-2	1
-	1	-	MATERIAL:THERMO PLASTIC, POLYESTER COLOR : BLACK	REC HSG 12P SS-KEY	2-2291728-2	
-	-	1	MATERIAL:THERMO PLASTIC, POLYESTER COLOR : BLACK	REC HSG 12P RR-KEY	1-2291728-2	
3-	-	1	MATERIAL/FINISH	PART NAME	PARTS NUMBER	ITEM

THIS DRAWING IS A CONTROLLED DOCUMENT.

DIMENSIONS:
単位: 概
mm

TOLERANCES UNLESS
OTHERWISE SPECIFIED:

- 一般公差 ±0.3
- 0 PLC ±0.5
- 1 PLC ±0.1
- 2 PLC ±0.01
- 3 PLC ±0.005
- 4 PLC ±
- ANGLES ±



MATERIAL
材料

FINISH
仕上

DWN 22APR2016
Y. OKADA
CHK 23APR2016
E. TAKEMASA
APVD 23APR2016
N. YAMASAKI

PRODUCT SPEC
製品規格
108-5349
APPLICATION SPEC
取付適用規格
WEIGHT -
CUSTOMER DRAWING



NAME
名称 STRAIN RELIEF KIT
RECEPTACLE ASSEMBLY 12P
DYNAMIC3200

SIZE	CAGE CODE	DRAWING NO 番号	RESTRICTED TO
A3	00779	C-2303378	-

SCALE 2:1 SHEET 1 OF 1 REV AI