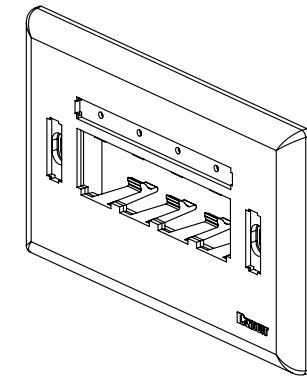
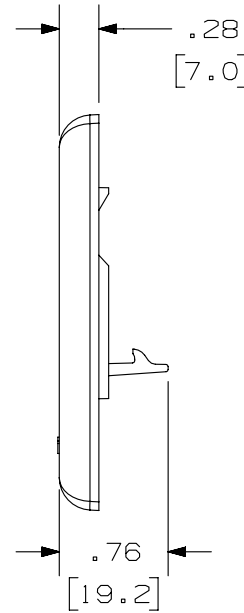
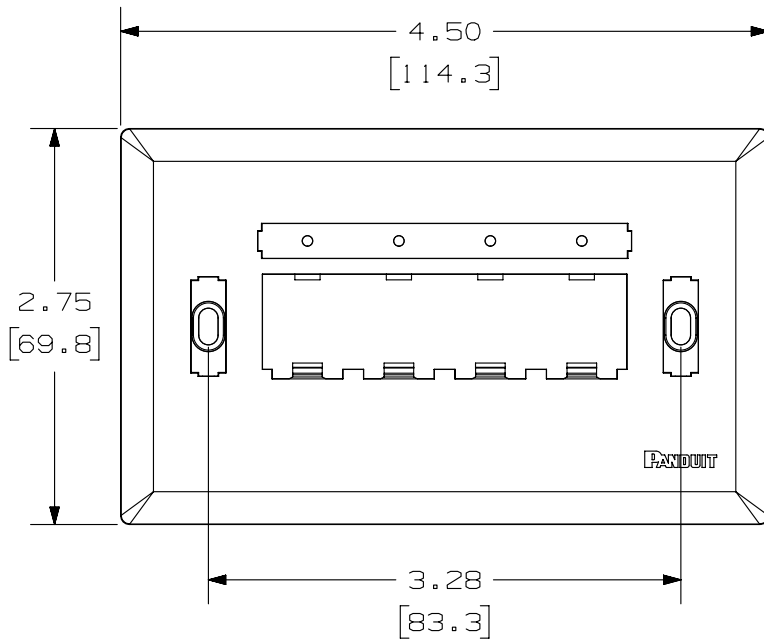


THIS COPY IS PROVIDED ON A RESTRICTED BASIS AND IS NOT TO BE USED IN ANY WAY DETRIMENTAL TO THE INTERESTS OF PANDUIT CORP.

PANDUIT P/N	WEIGHT
UICFPHA4**	.54 LB/10 PCS (245.0 g/10 PCS)

NOTES:

- SEE CURRENT CATALOG FOR ADDITIONAL PART NUMBER SUFFIXES TO INDICATE COLOR AND OR PACKAGE QUANTITY.
- SEE CATALOG FOR COMPLETE LIST OF PARTS APPLICABLE FOR USE WITH THIS PART.
- DIMENSIONS IN PARENTHESES ARE IN METRIC.
- PART INCLUDES:
  - 1- FACEPLATE
  - 1- CLEAR SCREW COVER
  - 2- COLOR COORDINATED SCREW COVER
  - 1- CLEAR LABEL COVER
  - 2- 1" MOUNTING SCREW
  - 2- 2" MOUNTING SCREW



PART NUMBER		UICFPHA4**	
TITLE			
MINI-COM ULTIMATE ID 4 POSITION HORIZONTAL CLASSIC SERIES FACEPLATE (AUSTRALIA VERSION)			
CUSTOMER DRAWING			
ITEM REVISION NAME		M01279BF/06	
DATASET FILE NAME		M01279BF_DC/06A	
UNLESS OTHERWISE SPECIFIED, DIMENSIONAL TOLERANCES ARE: IN (mm)		MATERIAL:	
.x ± .xxx ± .010 (.3)			
.xx ± .03 (.8) ANGLES ±		DRAWING NUMBER:	
THIRD ANGLE PROJECTION		01279-12	
DRAWN BY	DATE	CHK	SCALE
JSP	12-15-04	MJD	NONE
REV	DATE	BY	CHK
1	5-15-14	BJN	JSP
APR	DESCRIPTION		ECN
	REVISED & REDRAWN PREVIOUS REVISIONS REMVD FOR CLARITY		01279-12
SHT 1 OF 1		SIZE	
		A	

D10100DA/14