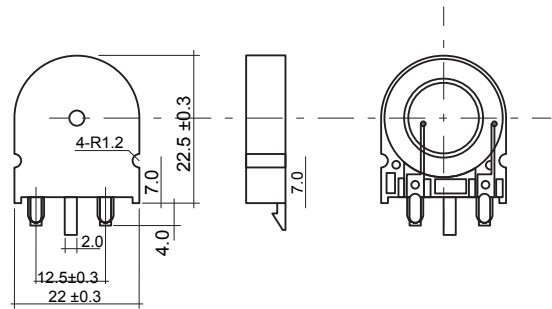


PRODUCT DATA SHEET

PART NO. PT -2707 NON-WASHABLE TYPE

PT -2707

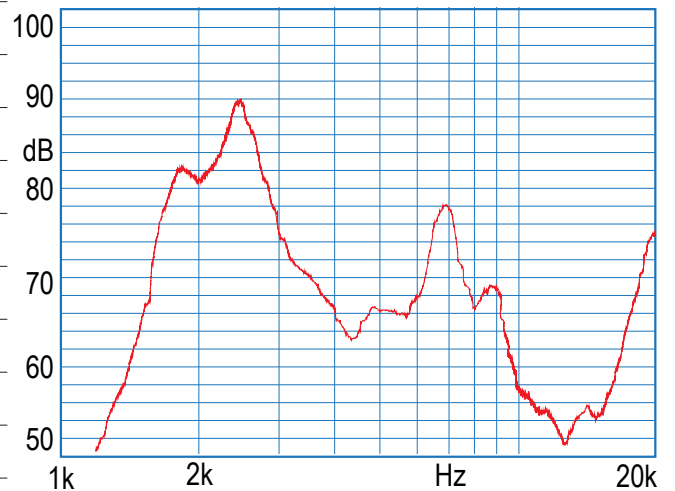
DIMENSIONS



DIMENSION: 22.0 x 26.5 x 7.0

SPECIFICATION	UNIT	PT -2707
Rated Voltage Square Wave	(Vpp)	3
Operating Voltage	(VDC)	1~25
Current Consumption	(mA)	1
Capacitance at 120 Hz	(pF)	18000±30%
Sound Output (min)	(dB)	70
Resonance Frequency	(Hz)	2000±500
Operating Temp	(C)	-20~+70
Storage Temp	(C)	-30~+80
Weight	(g)	2
Dimension	mm	22.0 x 26.5 x 7.0
Terminal		Pin
Environmental Protection Regulation		RoHS

FREQUENCY RESPONSE



*Value applying at rated voltage
*Distance for measurement 10 cm