

+5V Multiprotocol, 3Tx/3Rx, Software-Selectable Clock/Data Transceiver

General Description

The MAX13170E is a three-driver/three-receiver multiprotocol transceiver that operates from a +5V single supply. The MAX13170E, along with the MAX13172E and the MAX13174E, form a complete software-selectable data terminal equipment (DTE) or data communication equipment (DCE) interface port that supports the V.28 (RS-232), V.10/V.11 (RS-449/V.36, EIA-530, EIA-530A, X.21), and V.35 protocols. The MAX13170E transceivers carry the high-speed clock and data signals, while the MAX13172E carry the control signals. The MAX13170E can be terminated by the MAX13174E software-selectable resistor termination network or by discrete termination networks.

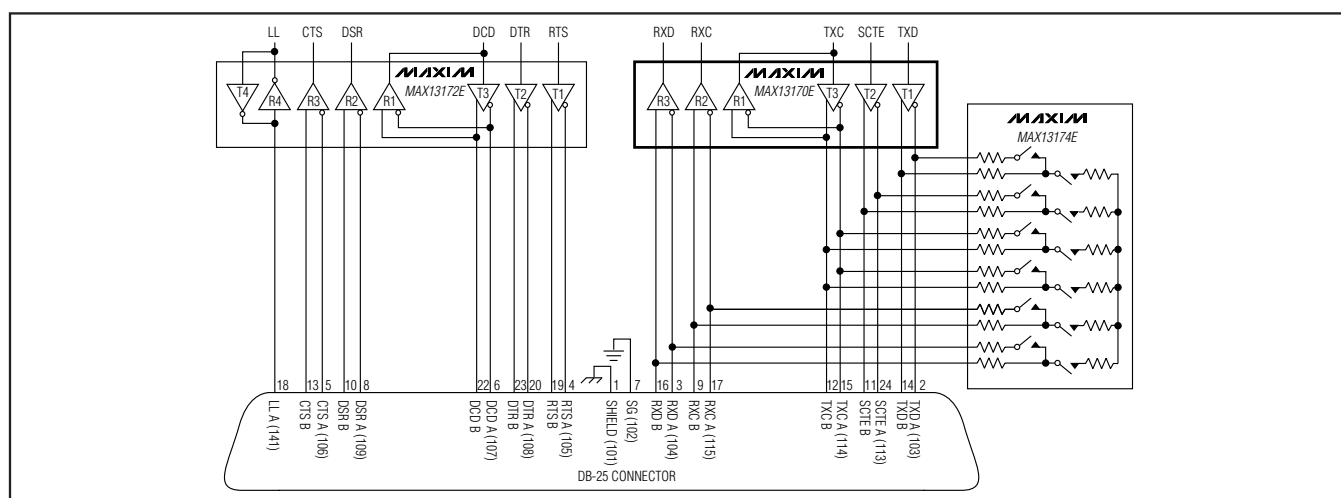
The MAX13170E has an internal charge pump and a proprietary low-dropout transmitter output stage that allows V.11-, V.28-, and V.35-compliant operation from a +5V single supply. The MAX13170E features a no-cable mode that reduces supply current to 0.5 μ A, and disables all (high-impedance) transmitter and receiver outputs. Short-circuit current limiting and thermal shut-down circuitry protect the receiver and transmitter outputs against excessive power dissipation. The MAX13170E has extended ESD protection for all the transmitter outputs and receivers inputs.

The MAX13170E is available in a 5.3mm x 10.2mm, 28-pin SSOP package and operates over the 0°C to +70°C commercial temperature range.

Applications

| | |
|-----------------|------------------------------|
| Data Networking | PCI Cards |
| CSU and DSU | Telecommunications Equipment |
| Data Routers | |

Pin Configuration appears at end of data sheet.



Features

- ◆ The MAX13170E/MAX13172E/MAX13174E Chipset is a Pin-for-Pin Upgrade to the MXL1544/MAX3175/ MXL1543/MXL1543B Chipset
- ◆ Supports RS-232, RS-449, EIA-530, EIA-530A, V.35, V.36, and X.21
- ◆ Software-Selectable Cable Termination Using the MAX13174E
- ◆ Complete DTE or DCE Port with the MAX13172E/MAX13174E
- ◆ Fail-Safe Receivers
- ◆ +5V Single-Supply Operation
- ◆ 0.5 μ A No-Cable Mode
- ◆ TUV-Certified NET1/NET2 and TBR1/TBR2-Compliant (Pending)
- ◆ Extended ESD Protection for All the Transmitter Outputs and Receivers Inputs to GND
 - ±13kV Using the Human Body Model
 - ±8kV Using the Contact Method Specified in IEC 61000-4-2
 - ±5kV Using the Air-Gap Discharge Method Specified in IEC 61000-4-2

Ordering Information

| PART | TEMP RANGE | PIN-PACKAGE |
|---------------|--------------|-------------|
| MAX13170ECAI+ | 0°C to +70°C | 28 SSOP |

+Denotes a lead-free package.

Typical Operating Circuit

+5V Multiprotocol, 3Tx/3Rx, Software-Selectable Clock/Data Transceiver

ABSOLUTE MAXIMUM RATINGS

(All voltages referenced to GND, unless otherwise noted.)

| | |
|--|-----------------------------------|
| Supply Voltages | |
| V _{CC} | -0.3V to +6V |
| Charge-Pump Output Voltages | |
| V _{DD} | -0.3V to +7.1V |
| V _{EE} | +0.3V to -7.1V |
| V _{DD} to V _{CC} | -0.6 to +6V |
| Logic Input Voltages | |
| M0, M1, M2, DCE/DTE, T _{IN} | -0.3V to +6V |
| Logic Output Voltages | |
| R _{OUT} | -0.3V to (V _{CC} + 0.3V) |
| Transmitter Outputs | |
| T _{OUT} , T3OUT/R1IN_ (No Cable Mode or V.28) | -15V to +15V |
| Short-Circuit Duration to GND | Continuous |

| | |
|--|-----------------|
| Receiver Inputs | |
| R_IN_T3OUT_/R1IN_ | -15V to +15V |
| R_INA to R_INB, T3OUT/R1INA to T3OUT/R1INB | -15V to +15V |
| Continuous Power Dissipation (T _A = +70°C) | |
| 28-Pin SSOP (derate 9.5mW/°C above +70°C) | 762mW |
| Junction-to-Case Thermal Resistance (θ _{JC}) (Note 1) | |
| 28-Pin SSOP | .25°C/W |
| Junction-to-Ambient Thermal Resistance (θ _{JA}) (Note 1) | |
| 28-Pin SSOP | .67°C/W |
| Operating Temperature Range | 0°C to 70°C |
| Junction Temperature | 150°C |
| Storage Temperature Range | -65°C to +150°C |
| Lead Temperature (soldering, 10s) | +300°C |

Note 1: Package thermal resistances were obtained using the method described in JESD51-7, using a 4-layer board. For detailed information on package thermal considerations, refer to www.maxim-ic.com/thermal-tutorial.

Stresses beyond those listed under "Absolute Maximum Ratings" may cause permanent damage to the device. These are stress ratings only, and functional operation of the device at these or any other conditions beyond those indicated in the operational sections of the specifications is not implied. Exposure to absolute maximum rating conditions for extended periods may affect device reliability.

ELECTRICAL CHARACTERISTICS

(V_{CC} = 4.5V to 5.5V, C₃ = C₄ = C₅ = 4.7μF, C₁ = C₂ = 1μF, T_A = T_{MIN} to T_{MAX}. Typical values are at V_{CC} = 5V, and T_A = +25°C.) (Note 2)

| PARAMETER | SYMBOL | CONDITIONS | MIN | TYP | MAX | UNITS |
|---|-----------------|---|-------|------|-------|-------|
| V _{CC} Operating Range | V _{CC} | | 4.5 | | 5.5 | V |
| V _{CC} Supply Current (DCE Mode) (Digital Inputs = GND or V _{CC}) (Transmitter Outputs Static) | I _{CC} | V.11 mode, no load | | 15 | 28 | mA |
| | | V.11 mode, full load | | 133 | 180 | |
| | | V.35 mode, no load | | 21 | 38 | |
| | | V.35 mode, full load | | 153 | 195 | |
| | | V.28 mode, no load | | 16 | 30 | |
| | | V.28 mode, full load | | 29 | 40 | |
| | | No cable mode | | 0.5 | 10 | μA |
| Internal Power Dissipation (DCE Mode) | P _D | V.11 mode, full load | | 200 | | mW |
| | | V.35 mode, full load | | 750 | | |
| | | V.28 mode, full load | | 100 | | |
| Positive Charge-Pump Output Voltage (Note 3) | V _{DD} | V.28, V.35 modes, no load | 6.5 | 6.9 | 7.1 | V |
| | | V.28, V.35 modes, with load, I _{DD} = 10mA | 5.6 | 6.9 | | |
| | | V.11 mode | 5.15 | 5.3 | 5.7 | |
| | | V.11 mode, V _{DD} variation, I _{DD} = 0mA to 25mA | | 0.01 | | |
| Negative Charge-Pump Output Voltage | V _{EE} | V.28, V.35 modes, no load | | -6.9 | | V |
| | | V.28, V.35 modes, with load, I _{EE} = 10mA (Note 3) | | -6.7 | -5.4 | |
| | | V.11 mode (Note 3) | -4.84 | -4.5 | -4.16 | |
| | | V.11 mode, V _{EE} variation, I _{EE} = 0mA to 25mA | | 0.01 | | |
| Charge-Pump Enable Time | | Time it takes for both V _{DD} and V _{EE} to reach specified range | | <1 | | ms |
| Thermal Shutdown Protection | THSD | | | 145 | | °C |

+5V Multiprotocol, 3Tx/3Rx, Software-Selectable Clock/Data Transceiver

MAX13170E

ELECTRICAL CHARACTERISTICS (continued)

($V_{CC} = 4.5V$ to $5.5V$, $C_3 = C_4 = C_5 = 4.7\mu F$, $C_1 = C_2 = 1\mu F$, $T_A = T_{MIN}$ to T_{MAX} . Typical values are at $V_{CC} = 5V$, and $T_A = +25^\circ C$.) (Note 2)

| PARAMETER | SYMBOL | CONDITIONS | MIN | TYP | MAX | UNITS |
|---|-----------------------|---|----------------------|----------------------|-----------|-----------|
| LOGIC INPUTS (M0, M1, M2, DCE/DTE, T1IN, T2IN, T3IN) | | | | | | |
| Input High Voltage | V_{IH} | | $0.66 \times V_{CC}$ | | | V |
| Input Low Voltage | V_{IL} | | | $0.33 \times V_{CC}$ | | V |
| Logic-Input Current | I_{IN} | T1IN, T2IN, T3IN | -1 | | +1 | μA |
| Pullup Resistor | R_{PUIN} | M0, M1, M2, DCE/DTE to V_{CC} | 50 | 100 | 170 | $k\Omega$ |
| LOGIC OUTPUTS (R1OUT, R2OUT, R3OUT) | | | | | | |
| Output High Voltage | V_{OH} | $I_{SOURCE} = 4mA$ | $0.66 \times V_{CC}$ | | | V |
| Output Low Voltage | V_{OL} | $I_{SINK} = 4mA$ | | $0.33 \times V_{CC}$ | | V |
| Output Pullup Resistor | R_{PUY} | No-cable mode (to V_{CC}) | | 71.4 | | $k\Omega$ |
| Transmitter Output Leakage Current | I_Z | $-0.25V < V_{OUT} < +0.25V$, $V_{CC} = 0$ or no-cable mode | | +5 | 0.2 | μA |
| V.11 TRANSMITTER | | | | | | |
| Open-Circuit Differential Output Voltage | V_{ODO} | Open circuit, $R = 1.95k\Omega$, Figure 1 | $-V_{CC}$ | | $+V_{CC}$ | V |
| Loaded Differential Output Voltage (Note 4) | V_{ODL} | $R = 50\Omega$, Figure 1 | $0.5 \times V_{ODO}$ | | | V |
| | | $R = 50\Omega$, Figure 1 | $ Z $ | | | |
| Change in Magnitude of Output Differential Voltage | ΔV_{OD} | $R = 50\Omega$, Figure 1 | | | 0.2 | V |
| Common-Mode Output Voltage | V_{OC} | $R = 50\Omega$, Figure 1 | | | 3.0 | V |
| Change in Magnitude of Common-Mode Output Voltage | ΔV_{OC} | $R = 50\Omega$, Figure 1 | | | 0.2 | V |
| Short-Circuit Current | I_{SC} | $V_{OUT} = GND$ | | | 150 | mA |
| Rise Time | t_R | Figures 2, 6 | | 4.5 | 10 | ns |
| Fall Time | t_F | Figures 2, 6 | | 6.5 | 10 | ns |
| Transmitter Input-to-Output Prop Delay | t_{PHL}, t_{PLH} | Figures 2, 6 | | 16 | 22 | ns |
| Data Skew | $ t_{PHL} - t_{PLH} $ | Figures 2, 6 (Note 3) | | | 3 | ns |
| Output-to-Output Skew | t_{SKEWT} | Figures 2, 6 (Notes 3, 5) | | | 2.5 | ns |
| V.11 RECEIVER | | | | | | |
| Differential Threshold Voltage | V_{TH} | $-7V \leq V_{CM} \leq +7V$ | -200 | | -50 | mV |
| Input Hysteresis | ΔV_{TH} | $-7V \leq V_{CM} \leq +7V$ | | 13 | | mV |
| Receiver Input Current | I_{IN} | $-10V \leq V_{A,B} \leq +10V$ | -0.66 | | +0.66 | mA |
| Receiver Input Resistance | R_{IN} | $-10V \leq V_{A,B} \leq +10V$ | 15 | 30 | | $k\Omega$ |
| Rise or Fall Time | t_R, t_F | Figures 2, 7 | | 3 | | ns |
| Receiver Input-to-Output Delay | t_{PHL}, t_{PLH} | Figures 2, 7 | | | 23 | ns |
| Data Skew | $ t_{PHL} - t_{PLH} $ | Figures 2, 7 (Note 3) | | | 3 | ns |
| Output-to-Output Skew | t_{SKEWR} | (Notes 3, 5) | | | 2.5 | ns |

+5V Multiprotocol, 3Tx/3Rx, Software-Selectable Clock/Data Transceiver

ELECTRICAL CHARACTERISTICS (continued)

($V_{CC} = 4.5V$ to $5.5V$, $C_3 = C_4 = C_5 = 4.7\mu F$, $C_1 = C_2 = 1\mu F$, $T_A = T_{MIN}$ to T_{MAX} . Typical values are at $V_{CC} = 5V$, and $T_A = +25^\circ C$.) (Note 2)

| PARAMETER | SYMBOL | CONDITIONS | MIN | TYP | MAX | UNITS | |
|--|-----------------------|---|-------------|------------|------------|------------|----|
| V.35 TRANSMITTER | | | | | | | |
| Differential Output Voltage | V_{OD} | With load, $-4V < V_{CM} < +4V$, Figure 3 | ± 0.44 | ± 0.55 | ± 0.66 | V | |
| Output High Current | I_{OH} | $V_{A,B} = 0$ | -13 | -11 | -9 | mA | |
| Output Low Current | I_{OL} | $V_{A,B} = 0$ | 9 | 11 | 13 | mA | |
| Rise or Fall Time | t_R, t_F | Figures 3, 6 | | 5 | | ns | |
| Transmitter Input-to-Output Delay | t_{PLH}, t_{PHL} | Figures 3, 6 | | 19 | 35 | ns | |
| Data Skew | $ t_{PLH} - t_{PHL} $ | Figures 3, 6, (Note 3) | | | 3 | ns | |
| Output-to-Output Skew | t_{SKEWT} | Figures 3, 6, (Notes 3, 5) | | | 3 | ns | |
| V.35 RECEIVER | | | | | | | |
| Differential Threshold Voltage | V_{TH} | $-2V \leq V_{CM} \leq +2V$ | -200 | | -50 | mV | |
| Input Hysteresis | ΔV_{TH} | $-2V \leq V_{CM} \leq +2V$ | | 15 | | mV | |
| Receiver Input Current | I_{IN} | $-10V \leq V_{A,B} \leq +10V$ | -0.66 | | +0.66 | mA | |
| Receiver Input Resistance | R_{IN} | $-10V \leq V_{A,B} \leq +10V$ | 15 | 30 | | k Ω | |
| Rise or Fall Time | t_R, t_F | Figures 3, 7 | | 3 | | ns | |
| Receiver Input-to-Output Delay | t_{PHL}, t_{PLH} | Figures 3, 7 (Note 3) | | | 23 | ns | |
| Data Skew | $ t_{PHL} - t_{PLH} $ | Figures 3, 7 (Note 3) | | | 3 | ns | |
| Output-to-Output Skew | t_{SKEWR} | (Notes 3, 5) | | | 2.5 | ns | |
| V.28 TRANSMITTER | | | | | | | |
| Output Voltage Swing | V_{OD} | Open circuit (output high) | | | V_{DD} | V | |
| | | Open circuit (output low) | | V_{EE} | | | |
| | | $R_L = 3k\Omega$ | Output high | 5 | 6.8 | | |
| | | | Output low | | -6.8 | | -5 |
| Short-Circuit Current | I_{SC} | | | 85 | | mA | |
| Output Slew Rate | $SR_{R/F}$ | $R_L = 3k\Omega, C_L = 2500pF$, Figures 4, 8 | 4 | | 30 | V/ μs | |
| Transmitter Input-to-Output Delay from Low to High | t_{PHL} | $R_L = 3k\Omega, C_L = 2500pF$, Figures 4, 8 | | 1 | 2 | μs | |
| Transmitter Input-to-Output Delay from High to Low | t_{PLH} | $R_L = 3k\Omega, C_L = 2500pF$, Figures 4, 8 | | 1 | 2 | μs | |
| V.28 RECEIVER | | | | | | | |
| Input Threshold Low | V_{IL} | | 0.8 | | | V | |
| Input Threshold High | V_{IH} | | | | 2 | V | |
| Input Hysteresis | V_{HYST} | | | 0.25 | | V | |
| Input Resistance | R_{IN} | $-15V \leq V_{IN} \leq +15V$ | 3 | 5 | 7 | k Ω | |
| Rise or Fall Time | t_R, t_F | Figures 5, 9 | | 3 | | ns | |
| Receiver Input-to-Output Delay | t_{PHL}, t_{PLH} | Figures 5, 9 | | | 150 | ns | |

+5V Multiprotocol, 3Tx/3Rx, Software-Selectable Clock/Data Transceiver

ELECTRICAL CHARACTERISTICS (continued)

($V_{CC} = 4.5V$ to $5.5V$, $C_3 = C_4 = C_5 = 4.7\mu F$, $C_1 = C_2 = 1\mu F$, $T_A = T_{MIN}$ to T_{MAX} . Typical values are at $V_{CC} = 5V$, and $T_A = +25^\circ C$.) (Note 2)

| PARAMETER | SYMBOL | CONDITIONS | MIN | TYP | MAX | UNITS |
|---|--------|--------------------------------|-----|----------|-----|-------|
| ESD PROTECTION (T_OUT_, T_OUT_/R_OUT_, R_IN_ to GND) | | | | | | |
| ESD Protection | | Contact Discharge IEC61000-4-2 | | ± 8 | | kV |
| | | Air-Gap Discharge IEC61000-4-2 | | ± 5 | | |
| | | Human Body Model | | ± 13 | | |

Note 2: All devices are 100% production tested at $T_A = +70^\circ C$ and are guaranteed by design for $T_A = 0^\circ C$ to $+70^\circ C$ as specified.

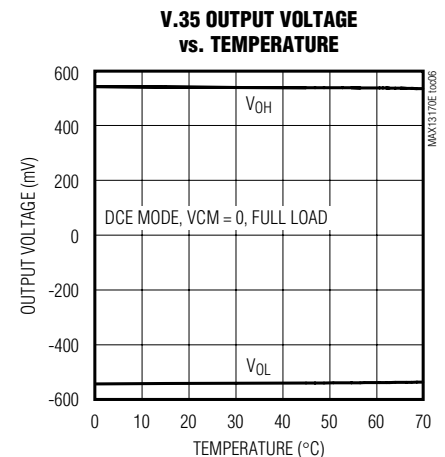
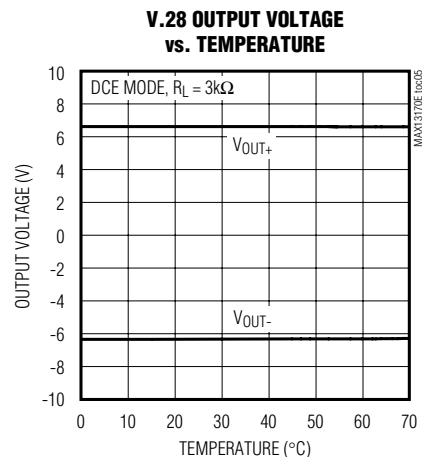
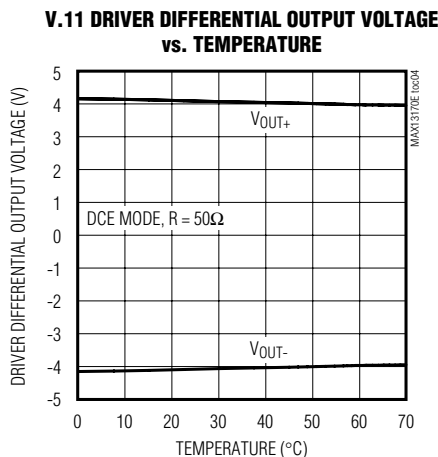
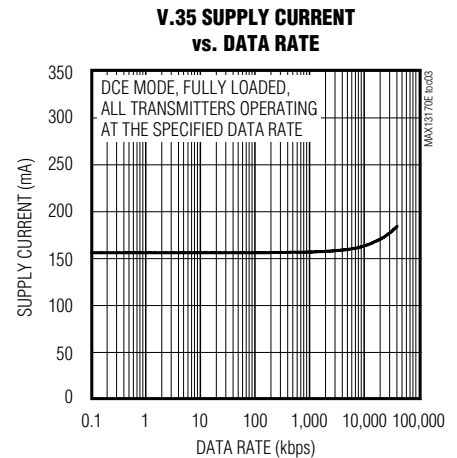
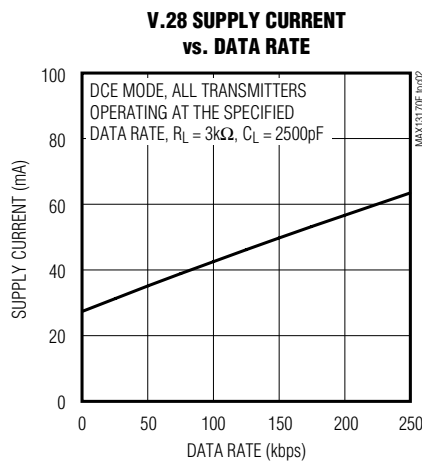
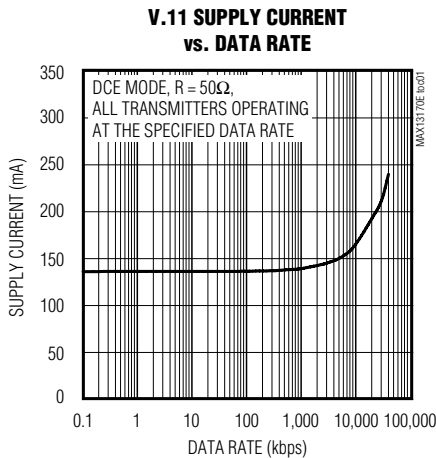
Note 3: Guaranteed by design, not production tested.

Note 4: V_{ODL} is guaranteed at both $0.5 \times V_{DDO}$ and I_{2V} .

Note 5: Output-to-output skews are evaluated as a difference of propagation delays between different channels in the same condition and for the same polarity (LH or HL).

Typical Operating Characteristics

($V_{CC} = +5.0V$, $C_1 = C_2 = 1\mu F$, $C_3 = C_4 = C_5 = 4.7\mu F$, (Figure 10), $T_A = T_{MIN}$ to T_{MAX} , $T_A = +25^\circ C$, unless otherwise noted.)

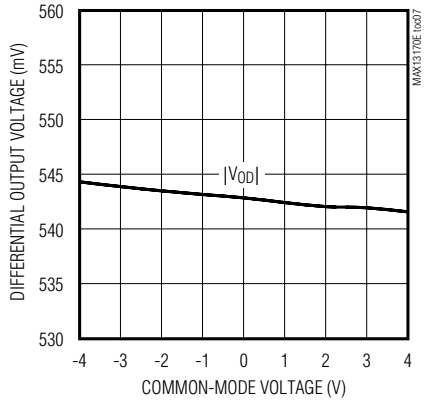


+5V Multiprotocol, 3Tx/3Rx, Software-Selectable Clock/Data Transceiver

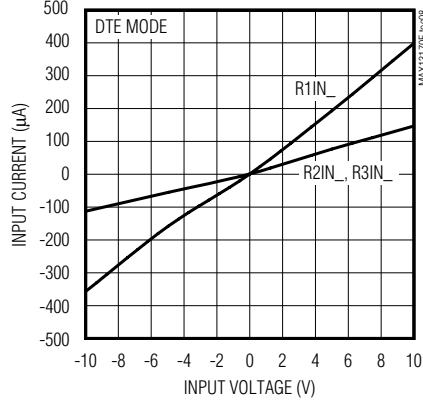
Typical Operating Characteristics (continued)

($V_{CC} = +5.0V$, $C1 = C2 = C4 = 1\mu F$, $C3 = C5 = 4.7\mu F$ (Figure 10), $T_A = +25^\circ C$, unless otherwise noted.)

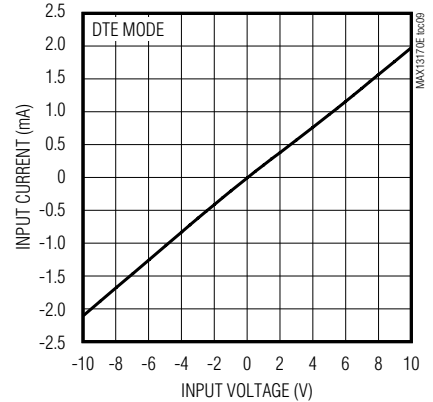
V.35 LOADED DIFFERENTIAL OUTPUT VOLTAGE vs. COMMON-MODE VOLTAGE



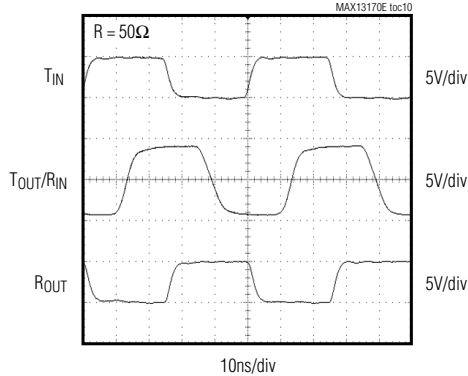
V.11/V.35 RECEIVER INPUT CURRENT vs. INPUT VOLTAGE



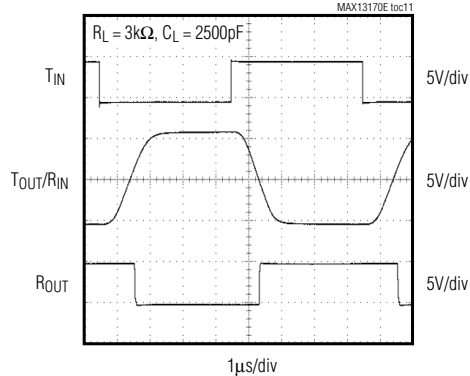
V.28 RECEIVER INPUT CURRENT vs. INPUT VOLTAGE



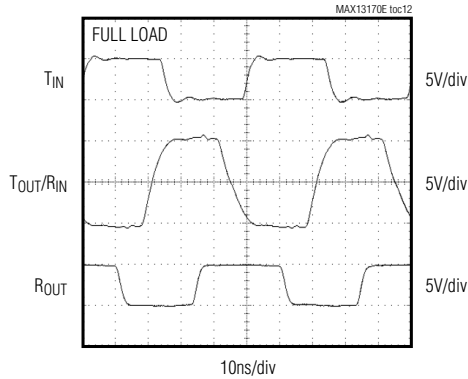
V.11 LOOPBACK OPERATION



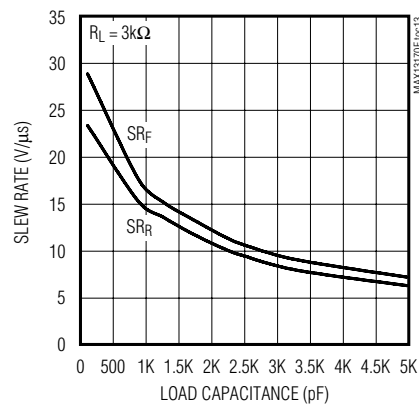
V.28 LOOPBACK OPERATION



V.35 LOOPBACK OPERATION



V.28 SLEW RATE vs. LOAD CAPACITANCE



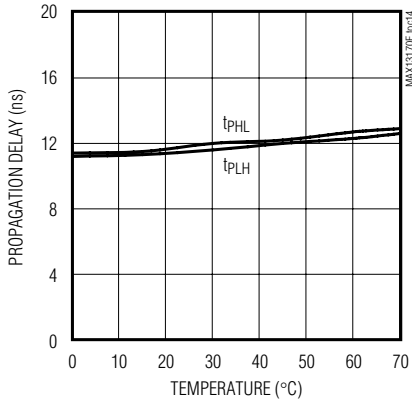
+5V Multiprotocol, 3Tx/3Rx, Software-Selectable Clock/Data Transceiver

MAX13170E

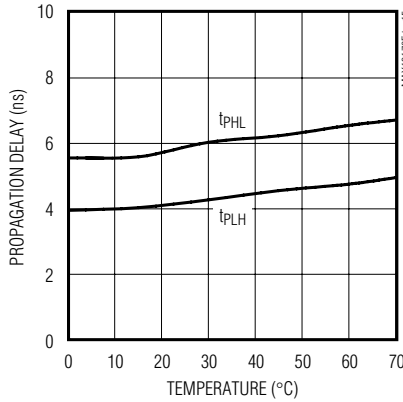
Typical Operating Characteristics (continued)

($V_{CC} = +5.0V$, $C_1 = C_2 = C_4 = 1\mu F$, $C_3 = C_5 = 4.7\mu F$ (Figure 10), $T_A = +25^\circ C$, unless otherwise noted.)

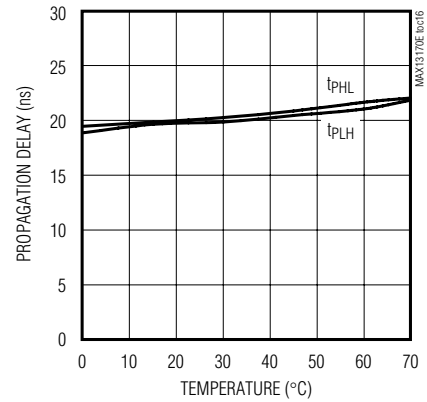
V.11 TRANSMITTER PROPAGATION DELAY vs. TEMPERATURE



V.11/V.35 RECEIVER PROPAGATION DELAY vs. TEMPERATURE



V.35 TRANSMITTER PROPAGATION DELAY vs. TEMPERATURE



Test Circuits

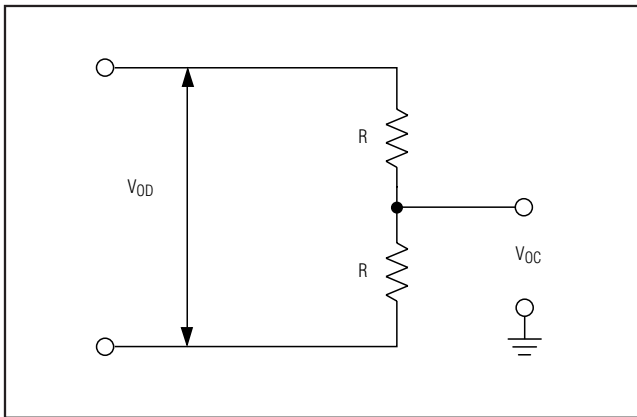


Figure 1. V.11 DC Test Circuit

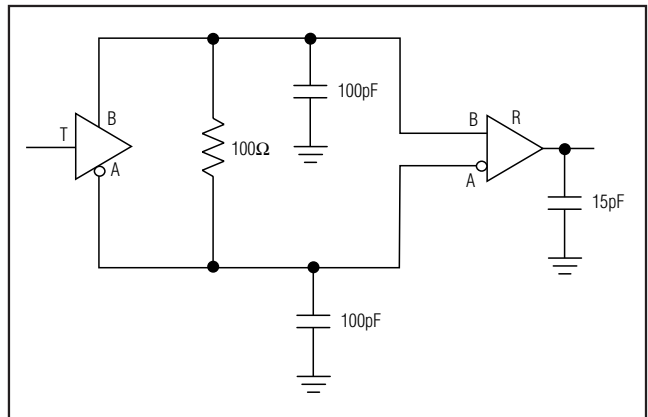


Figure 2. V.11 AC Test Circuit

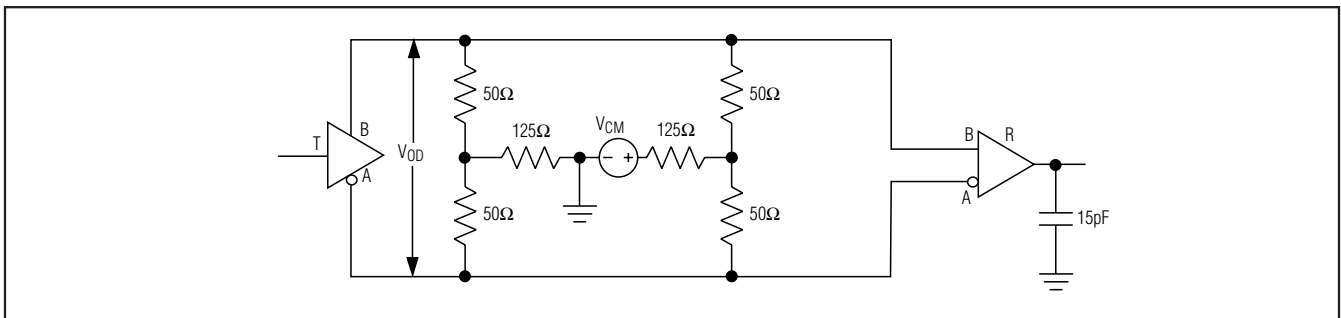


Figure 3. V.35 Transmitter/Receiver Test Circuit

+5V Multiprotocol, 3Tx/3Rx, Software-Selectable Clock/Data Transceiver

Test Circuits (continued)

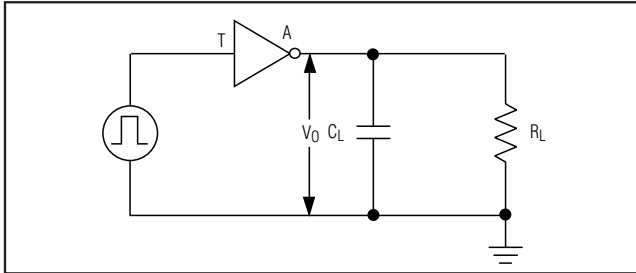


Figure 4. V.28 Transmitter Test Circuit

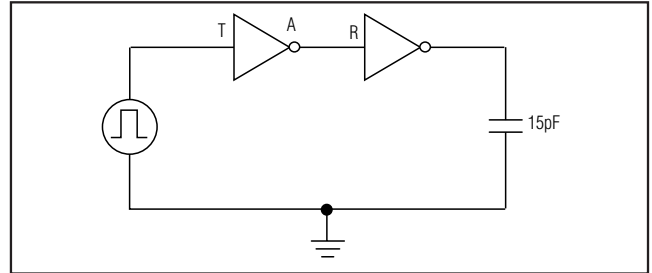


Figure 5. V.28 Receiver Test Circuit

Timing Diagrams

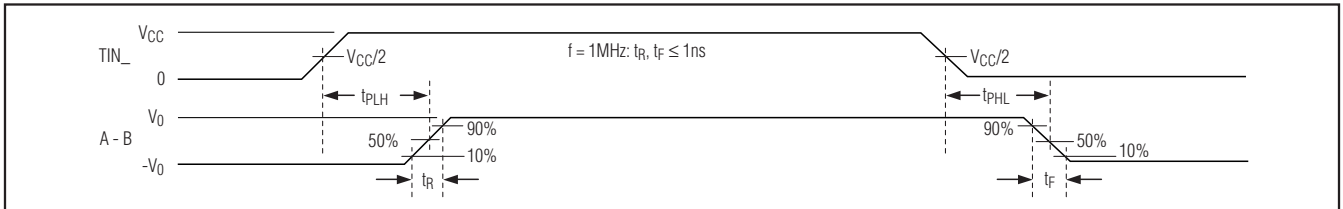


Figure 6. V.11, V.35 Transmitter Propagation Delays

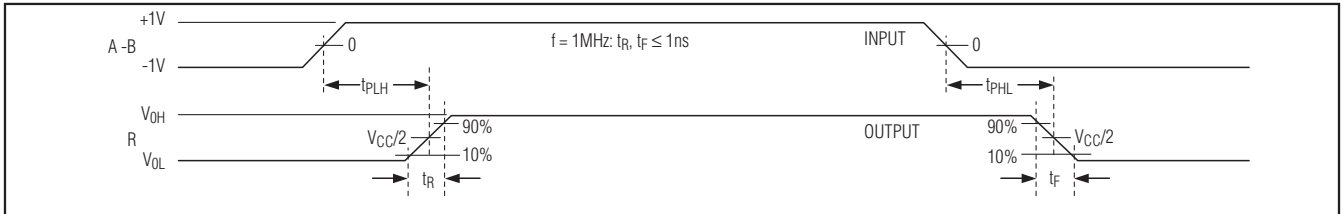


Figure 7. V.11, V.35 Receiver Propagation Delays

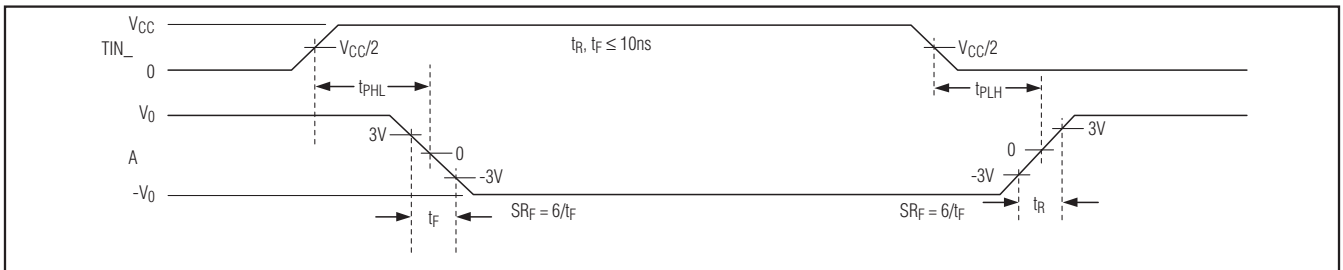


Figure 8. V.28 Transmitter Propagation Delays

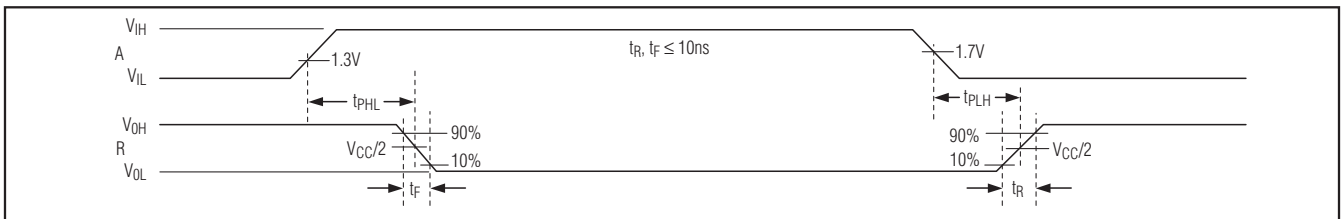


Figure 9. V.28 Receiver Propagation Delays

+5V Multiprotocol, 3Tx/3Rx, Software-Selectable Clock/Data Transceiver

Pin Description

MAX13170E

| PIN | NAME | FUNCTION |
|-----|------------------|---|
| 1 | C1- | V _{DD} Charge-Pump Flying-Capacitor Negative Terminal. Connect a 1μF ceramic capacitor between C1+ and C1- as close as possible to the device. |
| 2 | C1+ | V _{DD} Charge-Pump Flying-Capacitor Positive Terminal. Connect a 1μF ceramic capacitor between C1+ and C1- as close as possible to the device. |
| 3 | V _{DD} | Charge-Pump Positive-Supply Output. Connect a 4.7μF ceramic capacitor from V _{DD} to ground as close as possible to the device. |
| 4 | V _{CC} | Device Supply Voltage. Bypass V _{CC} with a 4.7μF capacitor to ground as close as possible to the device. |
| 5 | T1IN | Transmitter 1 Logic Input |
| 6 | T2IN | Transmitter 2 Logic Input |
| 7 | T3IN | Transmitter 3 Logic Input |
| 8 | R1OUT | Receiver 1 Logic Output. Internally pull up to V _{CC} . |
| 9 | R2OUT | Receiver 2 Logic Output. Internally pull up to V _{CC} . |
| 10 | R3OUT | Receiver 3 Logic Output. Internally pull up to V _{CC} . |
| 11 | M0 | Mode Select 0 Input. Internally pull up to V _{CC} . |
| 12 | M1 | Mode Select 1 Input. Internally pull up to V _{CC} . |
| 13 | M2 | Mode Select 2 Input. Internally pull up to V _{CC} . |
| 14 | DCE/DTE | DCE/DTE Mode-Select Input. Internally pull up to V _{CC} . |
| 15 | R3INB | Receiver 3 Noninverting Input |
| 16 | R3INA | Receiver 3 Inverting Input |
| 17 | R2INB | Receiver 2 Noninverting Input |
| 18 | R2INA | Receiver 2 Inverting Input |
| 19 | T3OUTB/ R1INB | Transmitter 3 Noninverting Output/Receiver 1 Noninverting Input |
| 20 | T3OUTA/ R1INA | Transmitter 3 Inverting Output/Receiver 1 Inverting Input |
| 21 | T2OUTB | Transmitter 2 Noninverting Output |
| 22 | T2OUTA | Transmitter 2 Inverting Output |
| 23 | T1OUTB | Transmitter 1 Noninverting Output |
| 24 | T1OUTA | Transmitter 1 Inverting Output |
| 25 | GND | Ground |
| 26 | V _{EE} | Charge-Pump Negative Supply Output. Connect a 4.7μF ceramic capacitor from V _{EE} to ground as close as possible to the device. |
| 27 | C2- | V _{EE} Charge-Pump Flying-Capacitor Negative Terminal. Connect a 1μF ceramic capacitor between C2+ and C2- as close as possible to the device. |
| 28 | C2+ | V _{EE} Charge-Pump Flying-Capacitor Positive Terminal. Connect a 1μF ceramic capacitor between C2+ and C2- as close as possible to the device. |

+5V Multiprotocol, 3Tx/3Rx, Software-Selectable Clock/Data Transceiver

Detailed Description

The MAX13170E is a three-driver/three-receiver, multi-protocol transceiver that operates from a single +5V supply. The MAX13170E, along with the MAX13172E and MAX13174E, form a complete software-selectable DTE or DCE interface port that supports the V.28 (RS-232), V.10/V.11 (RS-449/V.36, EIA-530, EIA-530A, X.21), and V.35 protocols. The MAX13170E transceivers carry the high-speed clock and data signals, while the MAX13172E transceivers carry serial-interface control signaling. The MAX13170E can be terminated by the MAX13174E software-selectable resistor termination network or by a discrete termination network. The MAX13170E features a 0.5 μ A no-cable mode, fail-safe operation, and thermal shutdown circuitry. Thermal shutdown protects the drivers against excessive power dissipation. When activated, the thermal shutdown circuitry places the receiver and transmitter outputs into a high-impedance state.

Mode Selection

The state of the mode-select inputs M0, M1, and M2 determines which serial interface protocol is selected (Table 1). The state of the DCE/DTE input determines whether the transceiver is configured as a DTE or DCE serial port. When the DCE/DTE input is logic-high, driver T3 is activated and receiver R1 is disabled. When the DCE/DTE input is logic-low, driver T3 is disabled

and receiver R1 is activated (Table 1). M0, M1, M2, and DCE/DTE are internally pulled up to V_{CC} to ensure a logic-high if left unconnected.

No-Cable Mode

The MAX13170E enters no-cable mode when the mode-select inputs are left unconnected or connected high (M0 = M1 = M2 = 1). In this mode, the multiprotocol drivers and receivers are disabled and the supply current drops to 0.5 μ A. The receivers' outputs enter a high-impedance state in no-cable mode, allowing these output lines to be shared with other receivers' outputs, (the receivers' outputs have internal pullup resistors to pull the outputs high if not driven). Also, in no-cable mode, the transmitter outputs enter a high-impedance state so that these output lines can be shared with other devices.

Dual Charge-Pump Voltage Converter

The MAX13170E internal power supply consists of a regulated dual charge pump that provides positive and negative output voltages from a +5V supply. The charge pump operates in discontinuous mode. If the output voltage is less than the regulated voltage, the charge pump is enabled. If the output voltage exceeds the regulated voltage, the charge pump is disabled. Each charge pump requires a flying capacitor (C1, C2) and a reservoir capacitor (C3, C5) to generate the V_{DD} and V_{EE} supplies. Figure 10 shows charge-pump connections.

Table 1. Mode Selection

| MAX13170E MODE NAME | M2 | M1 | M0 | DCE/DTE | T1 | T2 | T3 | R1 | R2 | R3 |
|-------------------------|----|----|----|---------|------|------|------|------|------|------|
| Not Used (Default V.11) | 0 | 0 | 0 | 0 | V.11 | V.11 | Z | V.11 | V.11 | V.11 |
| RS-530A | 0 | 0 | 1 | 0 | V.11 | V.11 | Z | V.11 | V.11 | V.11 |
| RS-530 | 0 | 1 | 0 | 0 | V.11 | V.11 | Z | V.11 | V.11 | V.11 |
| X.21 | 0 | 1 | 1 | 0 | V.11 | V.11 | Z | V.11 | V.11 | V.11 |
| V.35 | 1 | 0 | 0 | 0 | V.35 | V.35 | Z | V.35 | V.35 | V.35 |
| RS-449/V.36 | 1 | 0 | 1 | 0 | V.11 | V.11 | Z | V.11 | V.11 | V.11 |
| V.28/RS-232 | 1 | 1 | 0 | 0 | V.28 | V.28 | Z | V.28 | V.28 | V.28 |
| No Cable | 1 | 1 | 1 | 0 | Z | Z | Z | Z | Z | Z |
| Not Used (Default V.11) | 0 | 0 | 0 | 1 | V.11 | V.11 | V.11 | Z | V.11 | V.11 |
| RS-530A | 0 | 0 | 1 | 1 | V.11 | V.11 | V.11 | Z | V.11 | V.11 |
| RS-530 | 0 | 1 | 0 | 1 | V.11 | V.11 | V.11 | Z | V.11 | V.11 |
| X.21 | 0 | 1 | 1 | 1 | V.11 | V.11 | V.11 | Z | V.11 | V.11 |
| V.35 | 1 | 0 | 0 | 1 | V.35 | V.35 | V.35 | Z | V.35 | V.35 |
| RS-449/V.36 | 1 | 0 | 1 | 1 | V.11 | V.11 | V.11 | Z | V.11 | V.11 |
| V.28/RS-232 | 1 | 1 | 0 | 1 | V.28 | V.28 | V.28 | Z | V.28 | V.28 |
| No Cable | 1 | 1 | 1 | 1 | Z | Z | Z | Z | Z | Z |

+5V Multiprotocol, 3Tx/3Rx, Software-Selectable Clock/Data Transceiver

MAX13170E

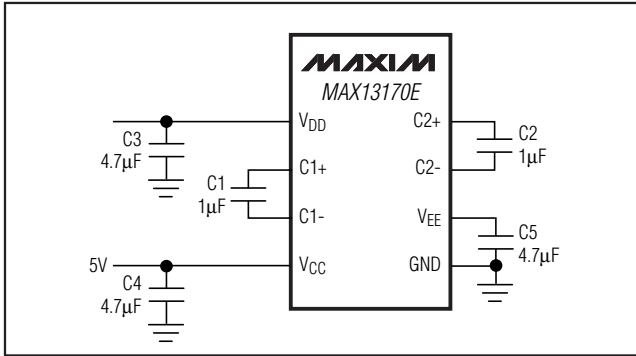


Figure 10. Charge Pump

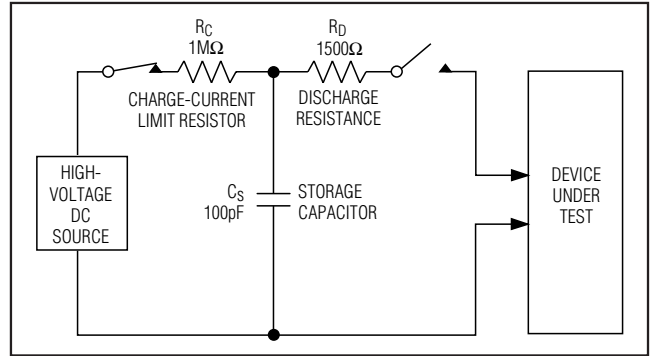


Figure 11a. Human Body ESD Test Model

Fail-Safe Receivers

The MAX13170E guarantees a logic-high receiver output when the receiver inputs are shorted, or when they are connected to a terminated transmission line with all the drivers disabled. This is done by setting the receivers' threshold between -50mV and -200mV in the V.11 and V.35 modes. If the differential receiver input voltage (B - A) is $\geq -50\text{mV}$, R_OUT is logic-high. If (B - A) is $\leq -200\text{mV}$, R_OUT is logic-low. In the case of a terminated bus with all transmitters disabled, the receiver's differential input voltage is pulled to zero by the termination. With the receiver thresholds of the MAX13170E, this results in a logic-high with a 50mV minimum noise margin.

ESD Protection

As with all Maxim devices, a minimum of $\pm 2\text{kV}$ -to-GND ESD-protection structures are incorporated on all pins to protect against electrostatic discharges encountered during handling and assembly. The driver outputs and receiver inputs of the MAX13170E have extra protection against static electricity. Maxim's engineers have developed state-of-the-art structures to protect these pins against ESD of $\pm 13\text{kV}$ without damage (HBM). The ESD structures withstand high ESD in all states: normal operation, shutdown, and powered down. After an ESD event, the MAX13170E keeps working without latchup or damage. ESD protection can be tested in various ways. The transmitter outputs and receiver inputs of the MAX13170E are characterized for protection to the following limits:

- $\pm 13\text{kV}$ using the Human Body Model
- $\pm 8\text{kV}$ using the Contact Method specified in IEC 61000-4-2
- $\pm 5\text{kV}$ using the Air-Gap Discharge Method specified in IEC 61000-4-2

ESD Test Conditions

ESD performance depends on a variety of conditions. Contact Maxim for a reliability report that documents test setup, test methodology, and test results.

Human Body Model

Figure 11a shows the Human Body Model, and Figure 11b shows the current waveform it generates when discharged into a low impedance. This model consists of a 100pF capacitor charged to the ESD voltage of interest, which is then discharged into the test device through a 1.5kΩ resistor.

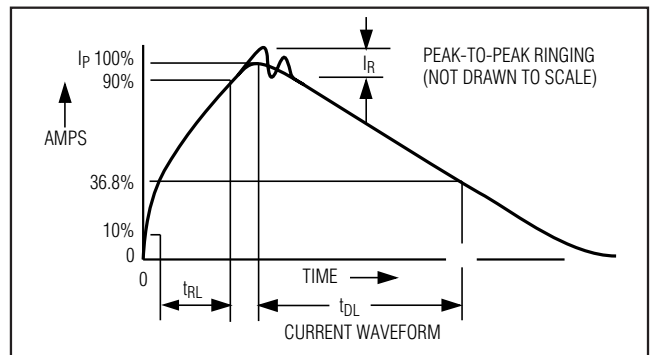


Figure 11b. Human Body Current Waveform

+5V Multiprotocol, 3Tx/3Rx, Software-Selectable Clock/Data Transceiver

IEC 61000-4-2

The IEC 61000-4-2 standard covers ESD testing and performance of finished equipment. However, it does not specifically refer to integrated circuits. The MAX13170E help equipment designs to meet IEC 61000-4-2, without the need for additional ESD-protection components.

The major difference between tests done using the Human Body Model and IEC 61000-4-2 is higher peak current in IEC 61000-4-2 because series resistance is lower in the IEC 61000-4-2 model. Hence, the ESD withstand voltage measured to IEC 61000-4-2 is generally lower than that measured using the Human Body Model. Figure 11c shows the IEC 61000-4-2 model, and Figure 11d shows the current waveform for the IEC 61000-4-2 ESD Contact Discharge test.

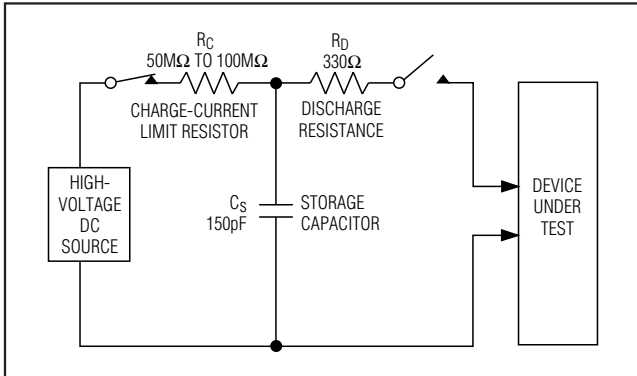


Figure 11c. IEC 61000-4-2 ESD Test Model

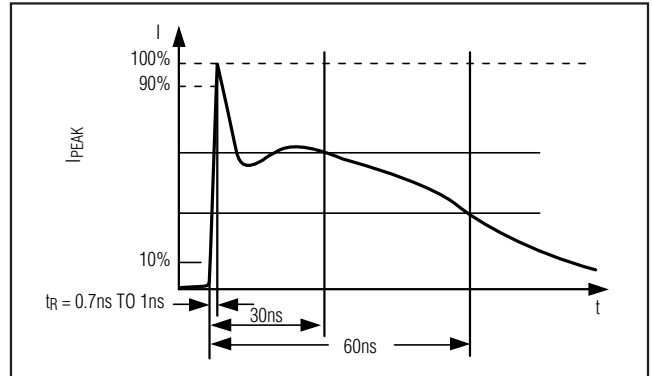


Figure 11d. IEC 61000-4-2 ESD Generator Current Waveform

+5V Multiprotocol, 3Tx/3Rx, Software-Selectable Clock/Data Transceiver

MAX13170E

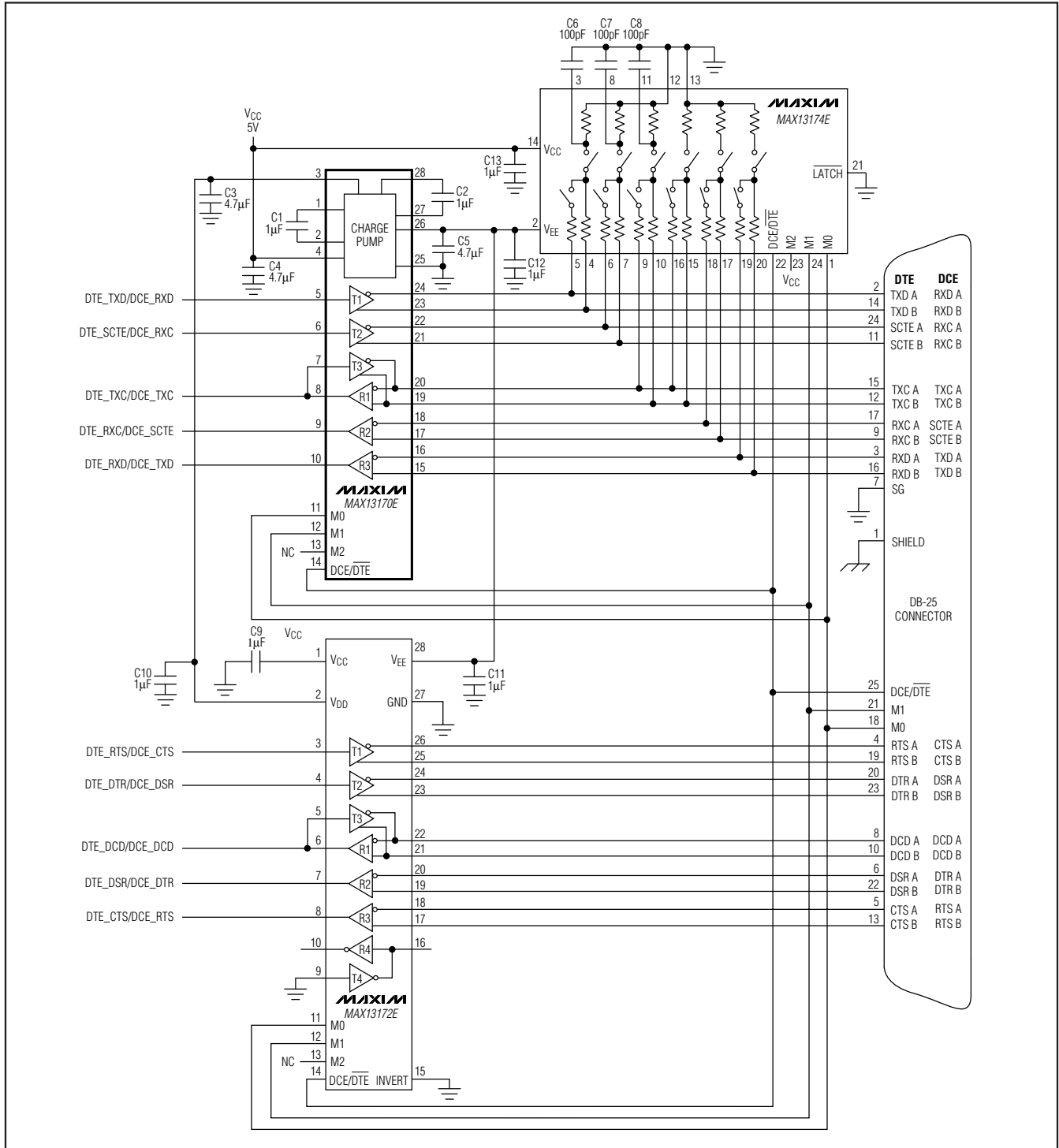


Figure 12. Cable-Selectable Multiprotocol DTE/DCE Port

+5V Multiprotocol, 3Tx/3Rx, Software-Selectable Clock/Data Transceiver

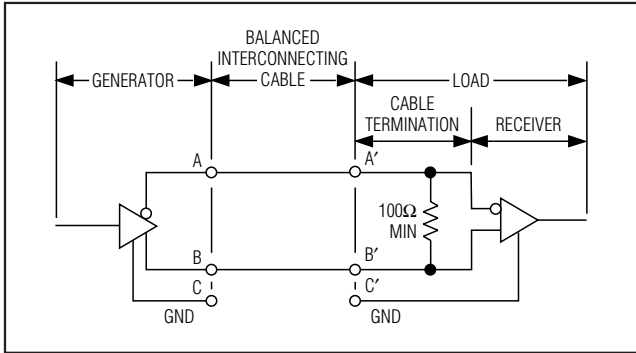


Figure 13. Typical V.11 Interface

Applications Information

Capacitor Selection

The capacitors used for the charge pumps, as well as for supply bypassing, should have a low equivalent series resistance (ESR) and low temperature coefficient. Multilayer ceramic capacitors with an X7R dielectric offer the best combination of performance, size, and cost. The flying capacitors (C1, C2) should have a value of 1 μ F, while the reservoir capacitors (C3, C5) and the bypass capacitor (C4) should have a minimum value of 4.7 μ F (Figure 10). To reduce the ripple present on the transmitter outputs, capacitors C3, C4, and C5 can be increased. The values of C1 and C2 should not be increased.

Bypassing

For best performance of the charge pumps, connect C3, C4, and C5 closer to the device than C1 and C2.

Cable Termination

The MAX13174E software-selectable resistor network is designed to be used with the MAX13170E. The MAX13174E multiprotocol termination network provides V.11- and V.35-compliant termination, while V.28 receiver termination is internal to the MAX13170E. These cable termination networks provide compatibility with V.11, V.28, and V.35 protocols. Using the MAX13174E termination networks provide the advantage of not having to build expensive termination networks out of resistors and relays, manually changing termination modules, or building custom termination networks.

Cable-Selectable Mode

A cable-selectable multiprotocol interface is shown in Figure 12. The mode control lines M0, M1, and DCE/DTE are wired to the DB-25 connector. To select the serial interface mode, the appropriate combination of M0, M1, and DCE/DTE are grounded within the cable wiring. The control lines that are not grounded are

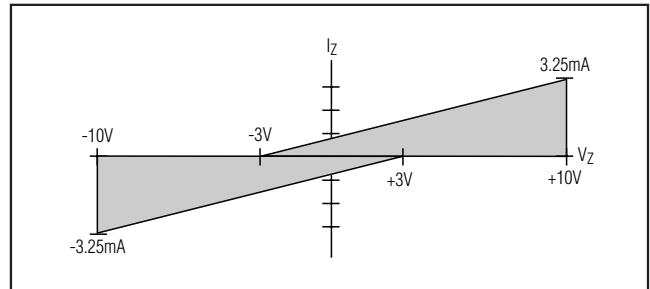


Figure 14. Receiver Input Impedance

pulled high by the internal pullups on the MAX13170E. The serial interface protocol of the MAX13170E, MAX13172E, and MAX13174E is selected based on the cable that is connected to the DB-25 interface.

V.11 Interface

As shown in Figure 13, the V.11 protocol is a fully balanced differential interface. The V.11 driver generates a minimum of ± 2 V between nodes A and B when a 100 Ω (min) resistance is presented at the load. The V.11 receiver is sensitive to ± 200 mV differential signals at receiver inputs A' and B'. The V.11 receiver rejects common-mode signals developed across the cable (referenced from C to C') of up to ± 7 V, allowing for error-free reception in noisy environments. The receiver inputs must comply with the impedance curve shown in Figure 14.

For high-speed data transmission, the V.11 specification recommends terminating the cable at the receiver with a 100 Ω resistor. This resistor, although not required, prevents reflections from corrupting transmitted data. In Figure 15, the MAX13174E is used to terminate the V.11 receiver. Internal to the MAX13174E, S1 is closed and S2 is open to present a 100 Ω minimum differential resistance. The MAX13170E's internal V.28 termination is disabled by opening S3.

V.35 Interface

Figure 16 shows a fully-balanced, differential standard V.35 interface. The generator and the load must both present a 100 Ω $\pm 10\Omega$ differential impedance and a 150 Ω $\pm 15\Omega$ common-mode impedance as shown by the resistive T networks in Figure 15. The V.35 driver generates a current output (± 11 mA, typ) that develops an output voltage of ± 550 mV across the generator and load termination networks. The V.35 receiver is sensitive to ± 200 mV differential signals at receiver inputs A' and B'. The V.35 receiver rejects common-mode signals developed across the cable (referenced from C to C') of up to ± 4 V, allowing for error-free reception in noisy environments.

+5V Multiprotocol, 3Tx/3Rx, Software-Selectable Clock/Data Transceiver

MAX13170E

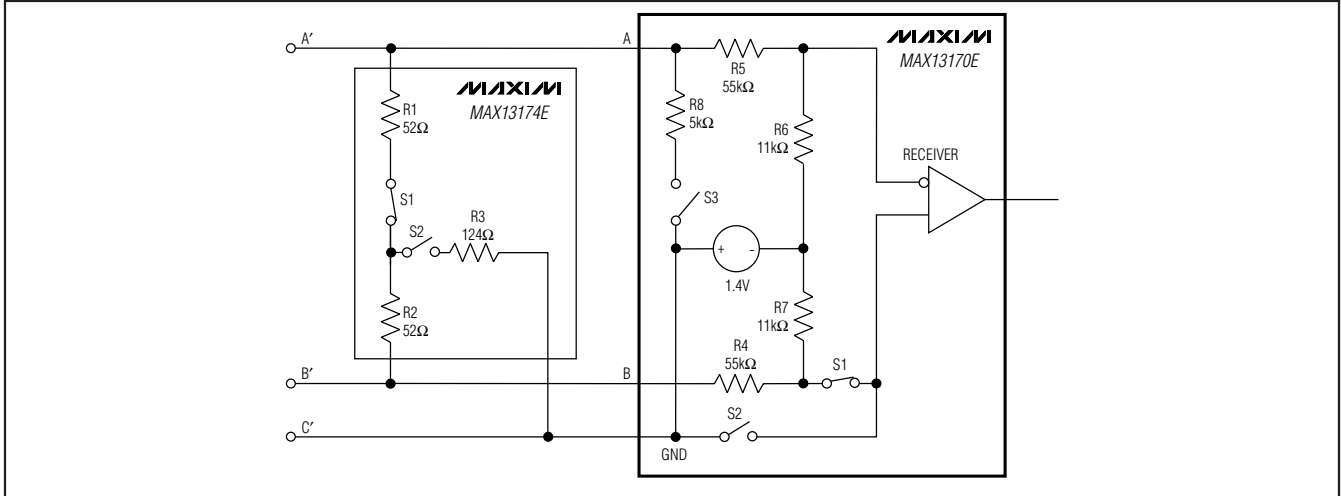


Figure 15. V.11 Termination and Internal Resistance Networks

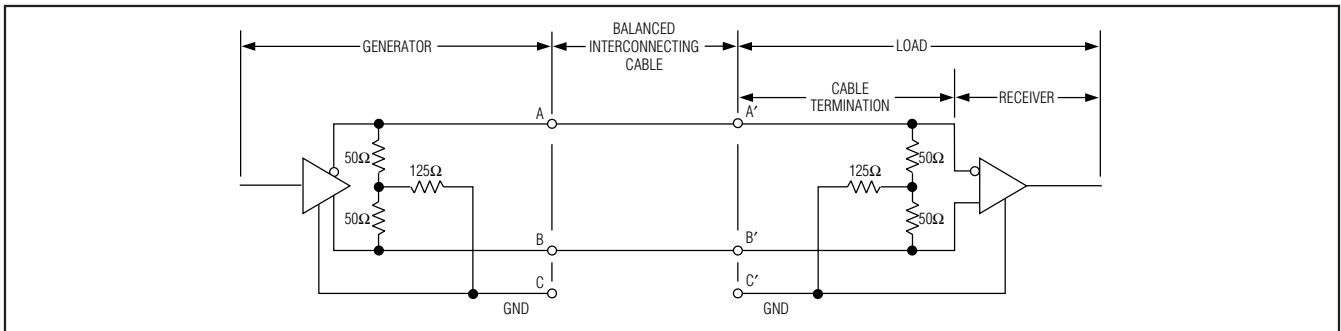


Figure 16. Typical V.35 Interface

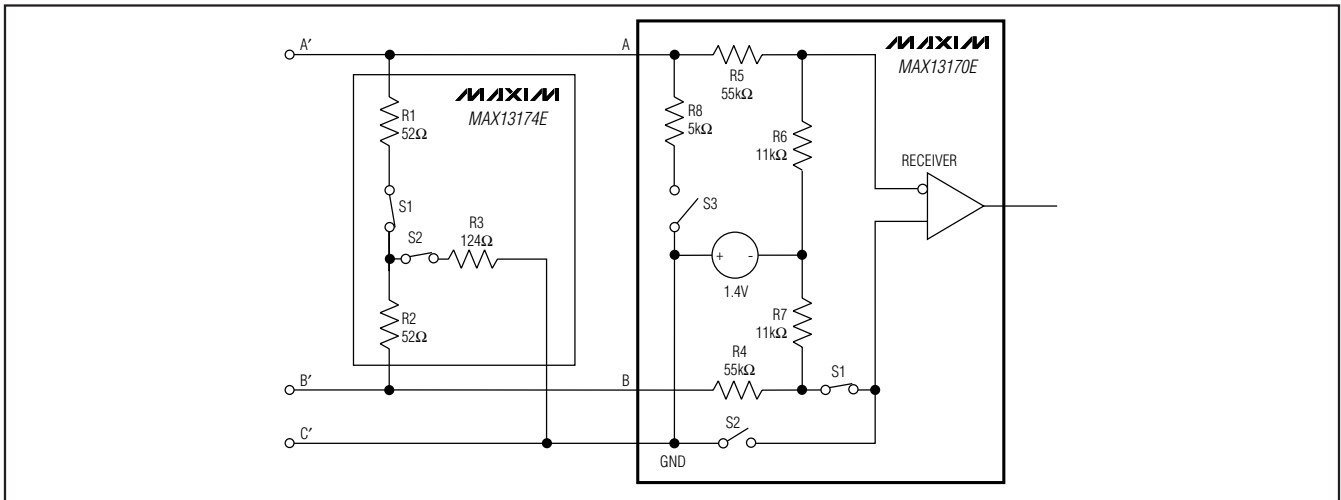


Figure 17. V.35 Termination and Internal Resistance Networks

+5V Multiprotocol, 3Tx/3Rx, Software-Selectable Clock/Data Transceiver

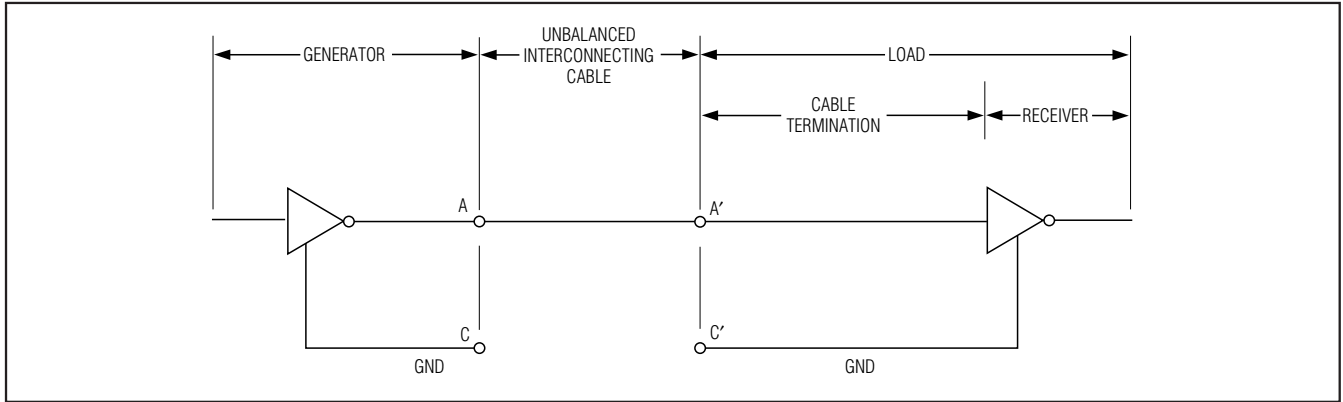


Figure 18. Typical V.28 Interface

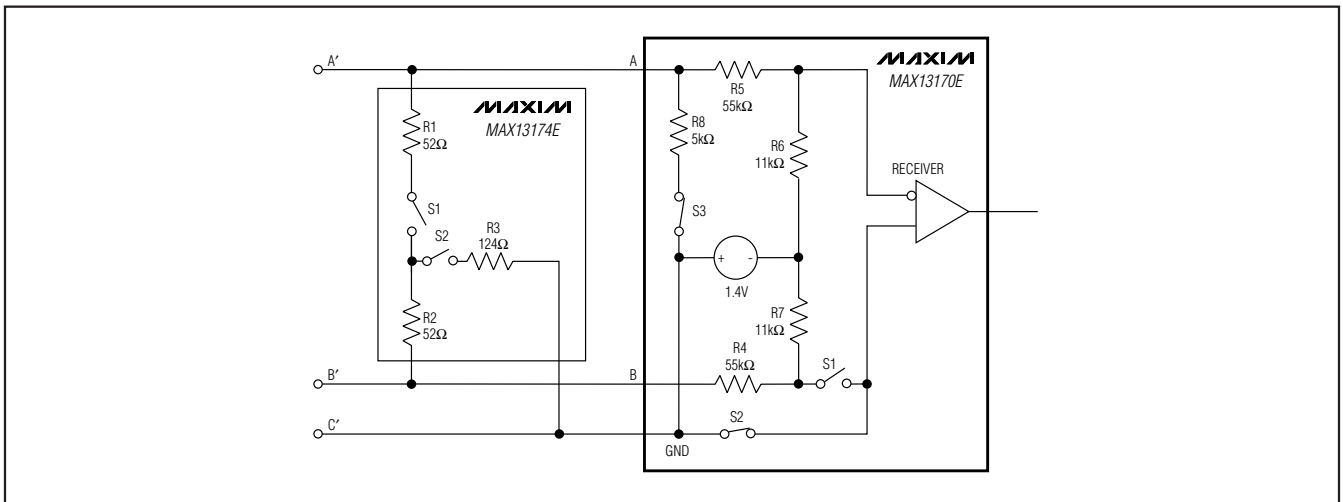


Figure 19. V.28 Termination and Internal Resistance Networks

In Figure 17, the MAX13174E is used to implement the resistive T network that is needed to properly terminate the V.35 driver and receiver. Internal to the MAX13174E, S1 and S2 are closed to connect the T-network resistors to the circuit. The V.28 termination resistor (internal to the MAX13170E) is disabled by opening S3 to avoid interference with the T-network impedance.

V.28 Interface

The V.28 interface is an unbalanced single-ended interface (Figure 18). The V.28 driver generates a minimum of $\pm 5V$ across a $3k\Omega$ load impedance between A' and C'. The V.28 receiver has a single-ended input. To aid in rejecting system noise, the MAX13170E's V.28 receiver has a typical hysteresis of 0.05V.

Figure 19 shows the MAX13174E's termination network disabled by opening S1 and S2. The MAX13170E's internal $5k\Omega$ V.28 termination is enabled by closing S3.

DTE vs. DCE Operation

Figure 20 shows a DCE or DTE controller-selectable interface. DCE/DTE (pin 14) switches the port's mode of operation. See Table 1.

This application requires only one DB-25 connector, but separate cables for DCE or DTE signal routing. See Figure 20 for complete signal routing in DCE and DTE modes.

+5V Multiprotocol, 3Tx/3Rx, Software-Selectable Clock/Data Transceiver

MAX13170E

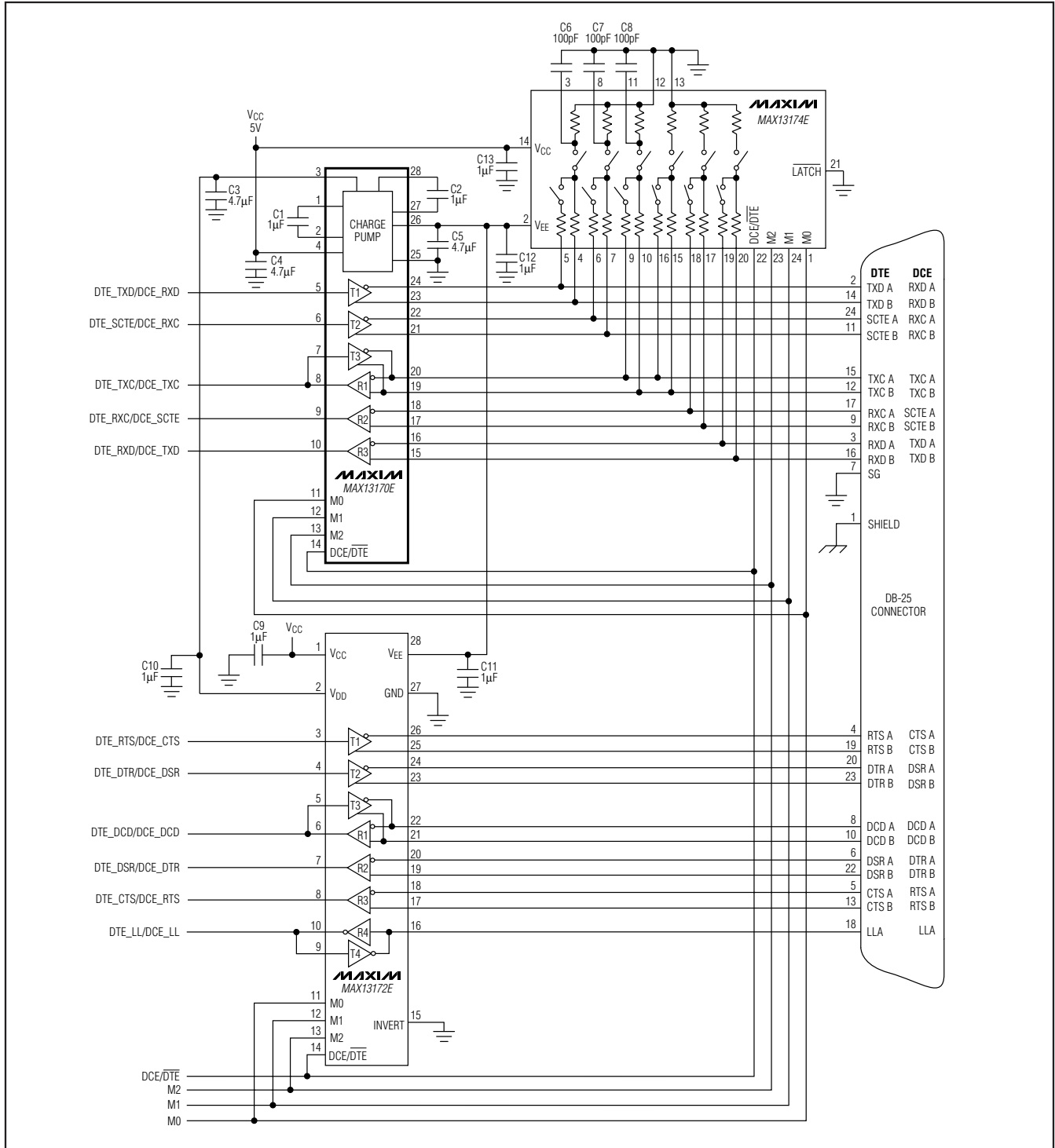


Figure 20. Multiprotocol DCE/DTE Port

+5V Multiprotocol, 3Tx/3Rx, Software-Selectable Clock/Data Transceiver

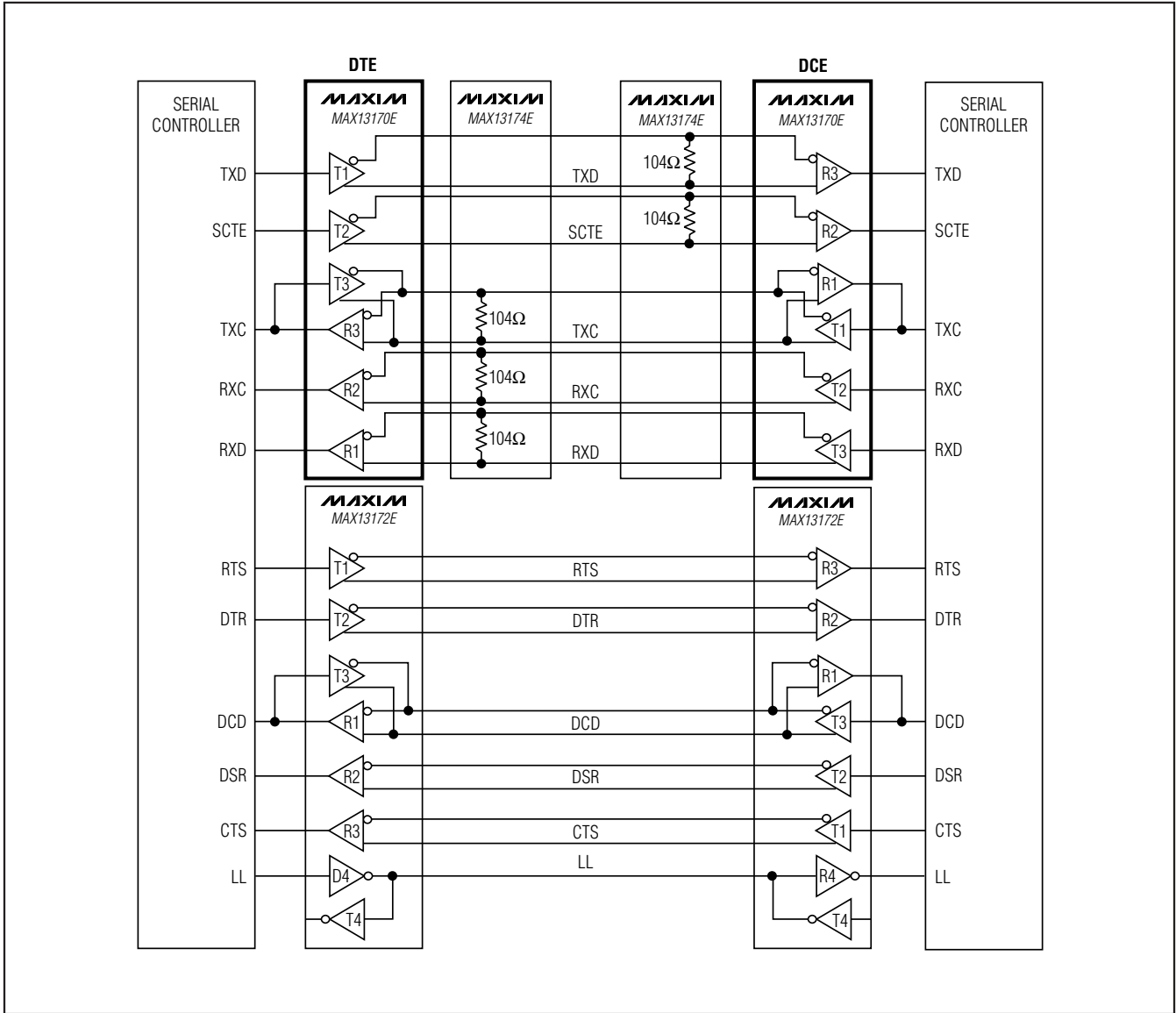


Figure 21. DCE-to-DTE X.21 Interface

Complete Multiprotocol X.21 Interface

A complete DTE-to-DCE interface operating in X.21 mode is shown in Figure 21. The MAX13170E is used to generate the clock and data signals, and the MAX13172E generates the control signals and local loopback (LL). The MAX13174E is used to terminate the clock and data signals to support the V.11 protocol for cable termination. The control signals do not need external termination.

Compliance Testing

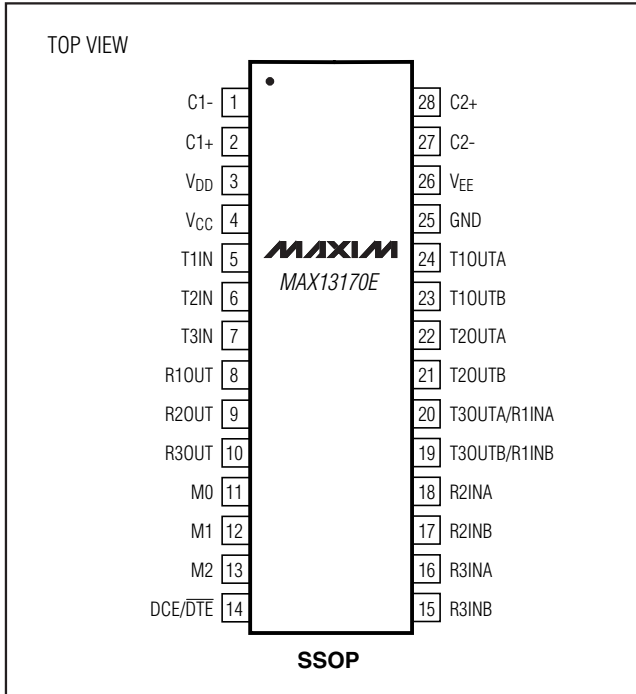
A European Standard EN 45001 test report is pending for the MAX13170E/MAX13172E/MAX13174E chipset. A copy of the test report will be available from Maxim upon completion.

+5V Multiprotocol, 3Tx/3Rx, Software-Selectable Clock/Data Transceiver

MAX13170E

Pin Configuration

Chip Information



TRANSISTOR COUNT: 2619
PROCESS: BiCMOS

Package Information

For the latest package outline information, go to www.maxim-ic.com/packages.

| PACKAGE TYPE | PACKAGE CODE | DOCUMENT NO. |
|--------------|--------------|-------------------------|
| 28 SSOP | A28-2 | 21-0056 |

Maxim cannot assume responsibility for use of any circuitry other than circuitry entirely embodied in a Maxim product. No circuit patent licenses are implied. Maxim reserves the right to change the circuitry and specifications without notice at any time.

Maxim Integrated Products, 120 San Gabriel Drive, Sunnyvale, CA 94086 408-737-7600 _____ 19