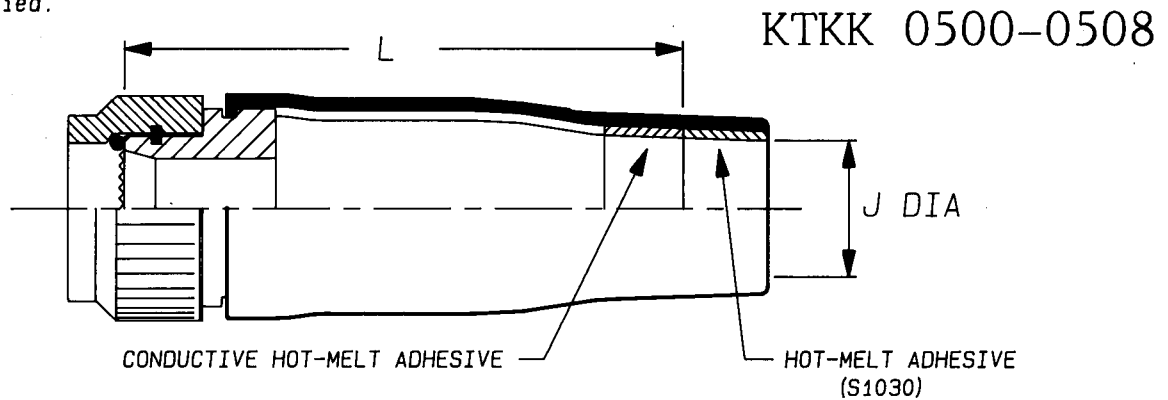
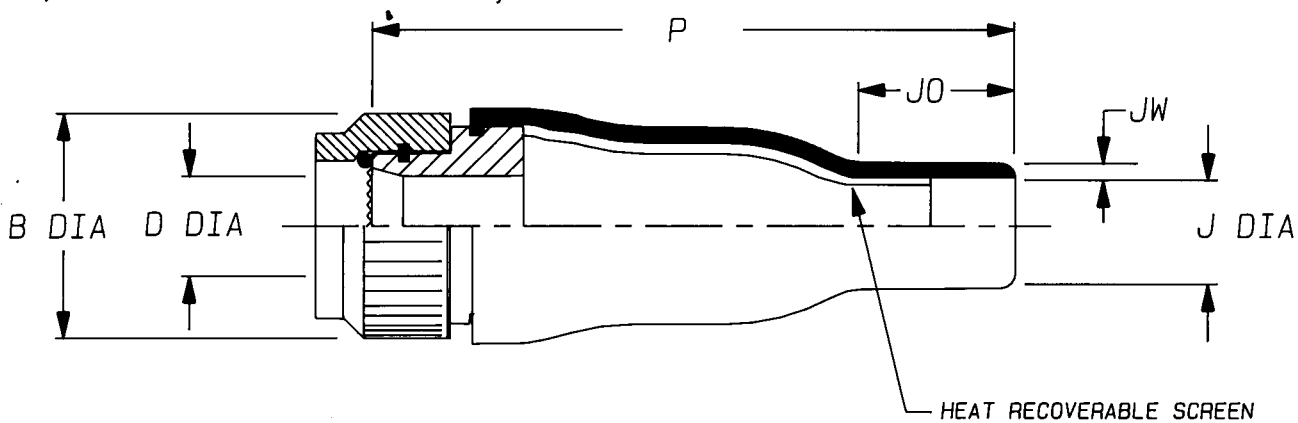


a) Part as supplied.



b) Part after unrestricted recovery.



Raychem connector code: - 41
 Connector series: - MIL-C-38999 SERIES 1 & 2
 Adaptor Series: - 204M0**-19-B**-K-NS
 Moulded Part Material: - -25S

Kits to include cleaning tissue, 1 piece 100 grit emery cloth & packing piece.
 Kit to be used in conjunction with installation guide for straight assemblies.

Dimensions (in millimetres.)

Part No.	SHELL SIZE	B	D	J		P	L	JO	JW
		DIA	DIA	MIN	MAX	±10%	REF	REF	±30%
		MAX	MIN	a	b	b	a	b	b
KTKK 0500	08	19.2	6.2	8	5.0	60	54	15	1.0
KTKK 0501	10	21.7	9.3	13	6.0	75	69	17	1.0
KTKK 0502	12	25.5	12.9	15	7.2	87	81	20	1.0
KTKK 0503	14	28.0	14.1	15	7.2	87	81	20	1.0
KTKK 0504	16	31.9	18.8	19	8.5	100	91	25	1.0
KTKK 0505	18	35.7	18.8	19	8.5	100	91	25	1.0
KTKK 0506	20	38.2	23.6	24	10.0	125	113	30	1.2
KTKK 0507	22	42.0	23.6	24	10.0	125	113	30	1.2
KTKK 0508	24	44.6	31.1	33	15.8	150	135	30	1.5

Copyright (!)
 Urheberrechte

The copyright in this drawing is the property of Raychem Ltd. The drawing is issued on condition that it is not copied, reproduced or disclosed to a third party, either in whole or in part without the prior written consent of Raychem Ltd.

Drawn A.LILLEY. Checked *[Signature]* Issue 7 Date September 1995 Conforms to ISO Recommendations

Approval
 Design

[Signature]

MKTG.
[Signature]

G.C.
[Signature]

3rd Angle Projection
 Not to Scale

