



MICRO SWITCH

FREEPORT, ILLINOIS, U.S.A.
A DIVISION OF HONEYWELL

FED. MFG. CODE 91929

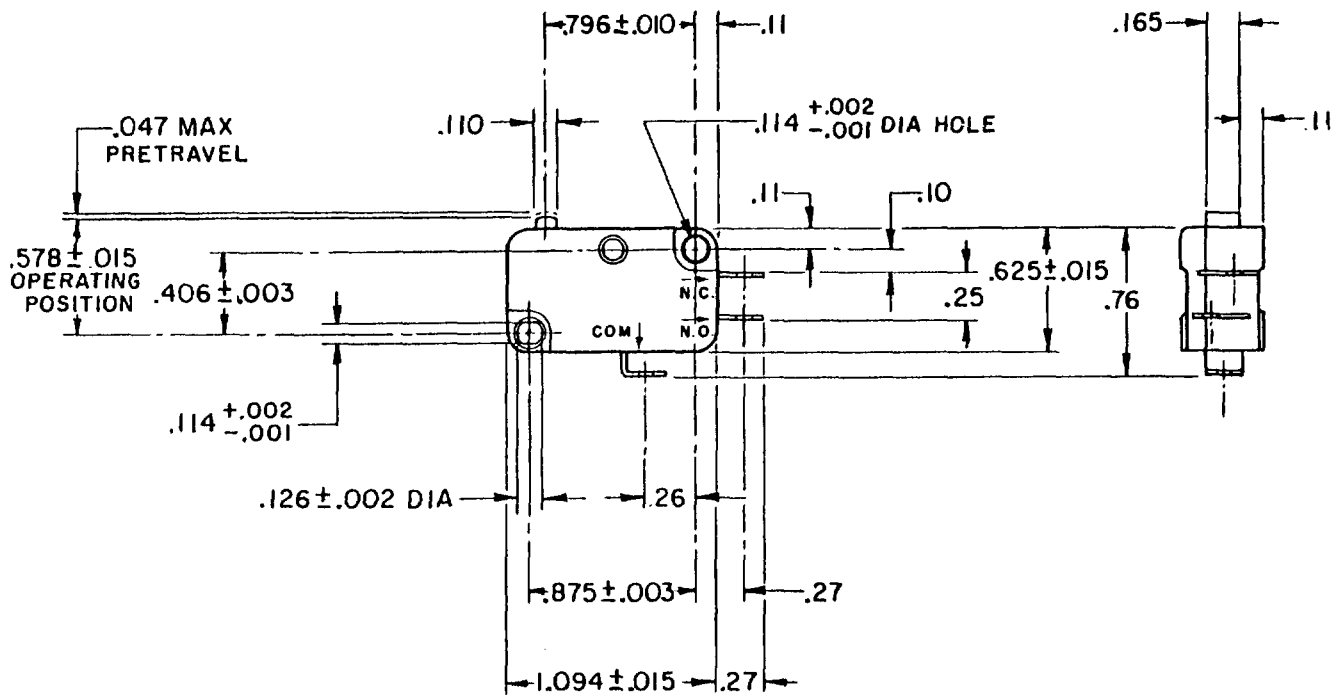
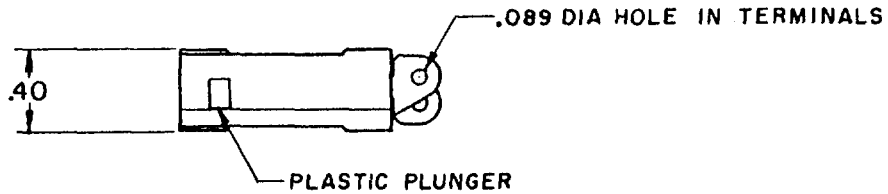
SWITCH-BASIC

CATALOG LISTING

V3-1119

CK-M1900

DRAWING NUMBER: V3-1119
 PAGE 1 OF 1
 RELEASE NO. SR 12447
 ISSUE: 5
 REVISIONS:
 A CO24699 M B S 29 JULY 69
 B CO 39182 G A S 18 FEB 78
 C CO74635 K D R 10 MAY 93
 D 200185 J L A 7 APR 00
 CHECK: 2 SEP 66, 2 SEP 66, 2 SEP 66, 12 SEPT 66, 12 SEPT 66
 WEG
 FORMTEK FC-50378 DRAWN



- NOTE -
- 1 - TERMINALS ARE PLATED FOR SOLDERING
 - 2 - CAUTION: DO NOT OVERTRAVEL PLUNGER WITH FORCE IN EXCESS OF FIVE POUNDS

THIS DRAWING COVERS A PROPRIETARY ITEM AND IS THE PROPERTY OF MICRO SWITCH, A DIVISION OF HONEYWELL. THIS DRAWING IS NOT TO BE COPIED OR USED WITHOUT THE APPROVAL OF MICRO SWITCH.

CHARACTERISTICS	
OPERATING FORCE	---75 GRAMS MAX
RELEASE TRAVEL	----- .010 MIN
RELEASE FORCE	-----10 GRAMS MIN
DIFFERENTIAL TRAVEL	----- .002-.010
OVERTRAVEL	----- .050 MIN
FREE POSITION	----- .625 MAX

ELECTRICAL DATA	
CONTACT ARRANGEMENT S P D T	
L112 10A 1/3HP 125 OR 250 VAC 1/2A 125 VDC, 1/4A 250 VDC 4A 125 VAC "L"	

SCALE FULL		
DO NOT SCALE PRINT		
UNLESS OTHERWISE NOTED		
DIMENSIONS ARE IN INCHES		
TOLERANCES ARE:		
ONE PLACE	(.0)	±.030
TWO PLACE	(.00)	±.015
THREE PLACE	(.000)	±.005
ANGLES		±
WEIGHT		

