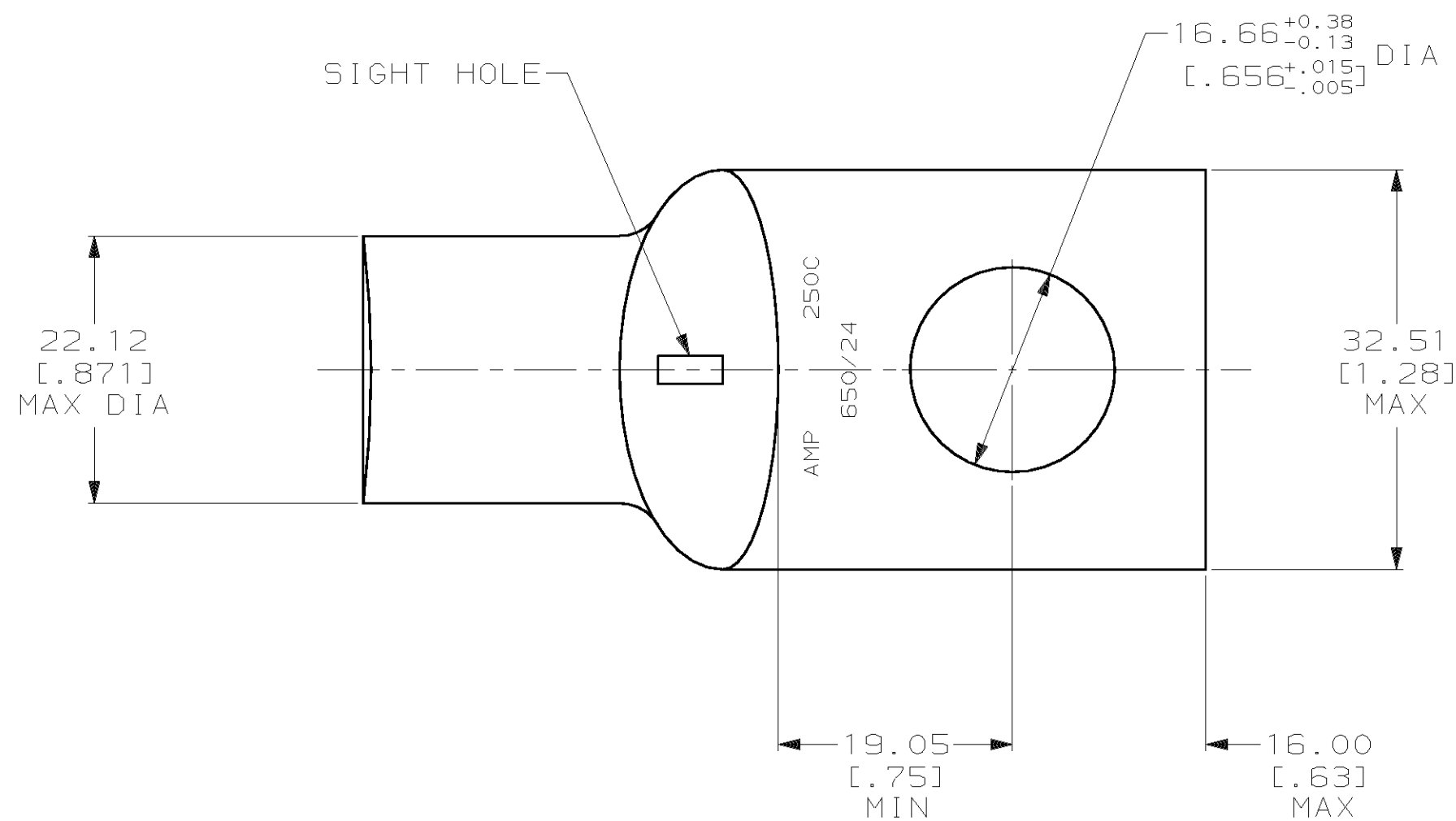
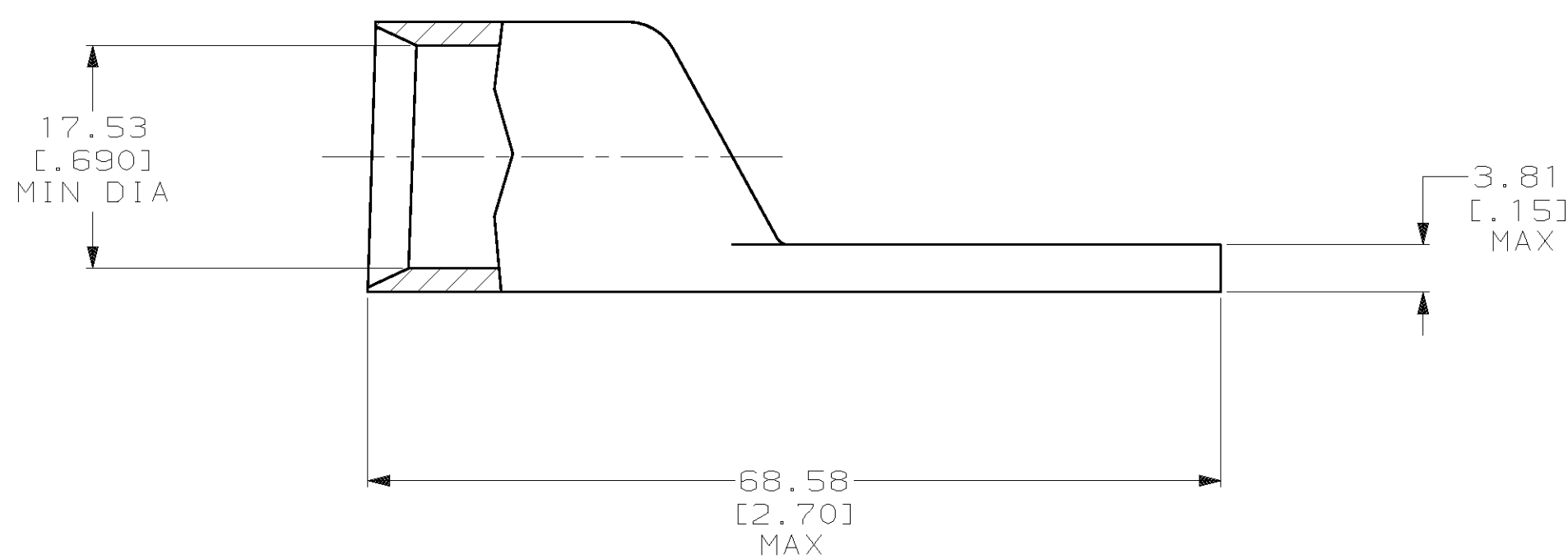


THIS DRAWING IS UNPUBLISHED. RELEASED FOR PUBLICATION, 19 .
 © COPYRIGHT 19 BY AMP INCORPORATED. ALL INTERNATIONAL RIGHTS RESERVED.

LOC		DIST		P		F		ZONE		LTR		REVISIONS		DATE	APPD
G		86								N		REV PER 0G3A-0561-01		08OCT02	JR/MS



1 CIRCULAR MIL AREA RANGE: 231-275 MCM
 2 TIN PL 0.00381 [.000150] MIN THK PER MIL-T-10727



325707

B

A

325707
 PART NO

DO NOT SCALE PRINT.
 UNLESS SPECIFIED
 DIMENSIONS IN mm [INCHES]
 TOLERANCES ON :
 2 PLC DEC ± 0.51 [.020]
 3 PLC DEC ± -
 ANGLES ± -

DR 03/16/90
 DK SCHRUM
 CHK 20JAN95
 MS FEHER
 APPD 20JAN95
 WJ VOCKROTH

AMP AMP INCORPORATED
 Harrisburg, Pa. 17105

MATERIAL
 ANNEALED COPPER
 ASTM B-75

APPD 20JAN95
 TL SHUTTER
 PRODUCT SPEC
 108-30200

NAME
 TERMINAL, AMPPOWER,
 WIRE SIZE: 250 MCM

FINISH
 2

APPLICATION SPEC
 -
 WEIGHT .123 LB

SIZE
C
 SCALE 2:1

CAGE CODE 00779
 DRAWING NO 325707
 SHEET 1 OF 1

