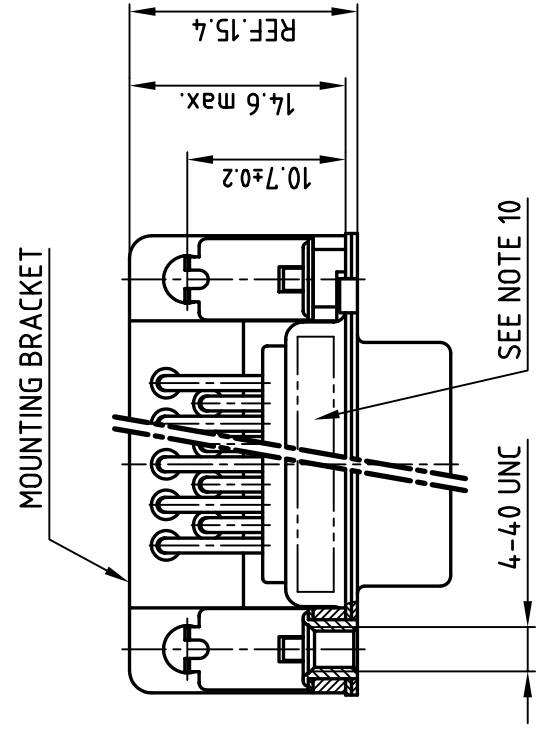
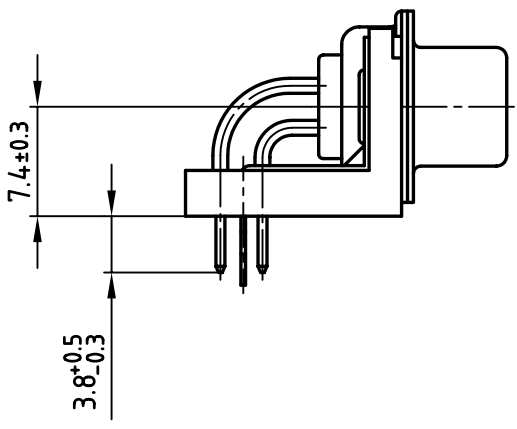
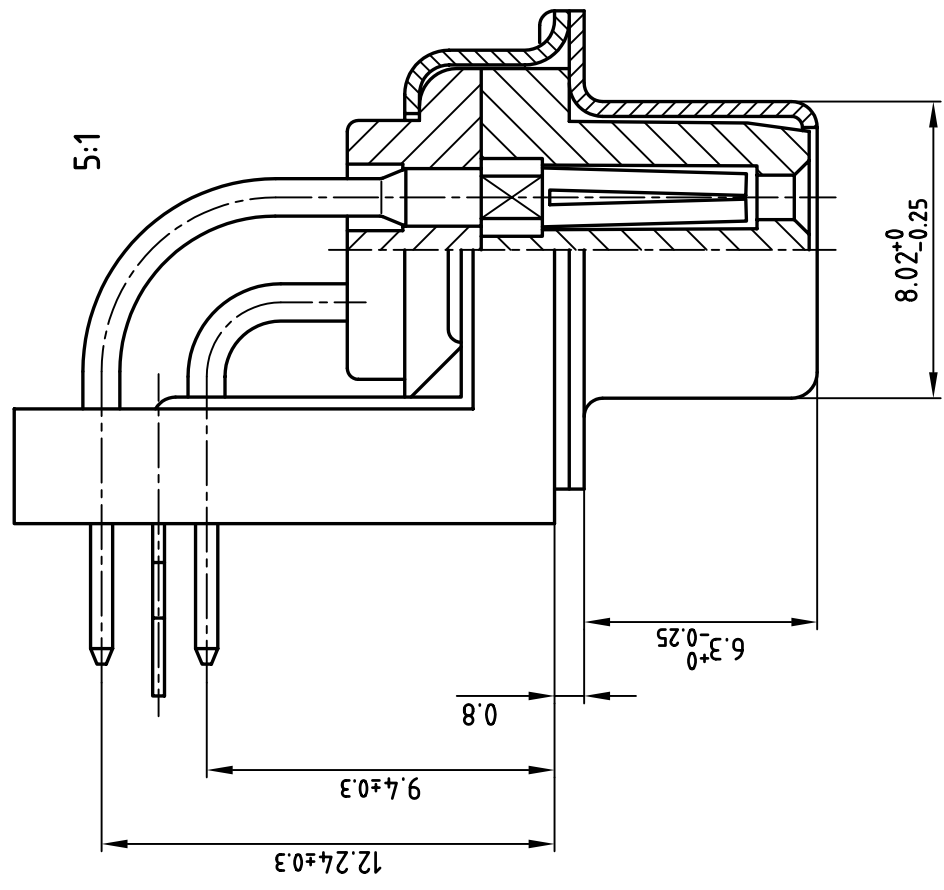
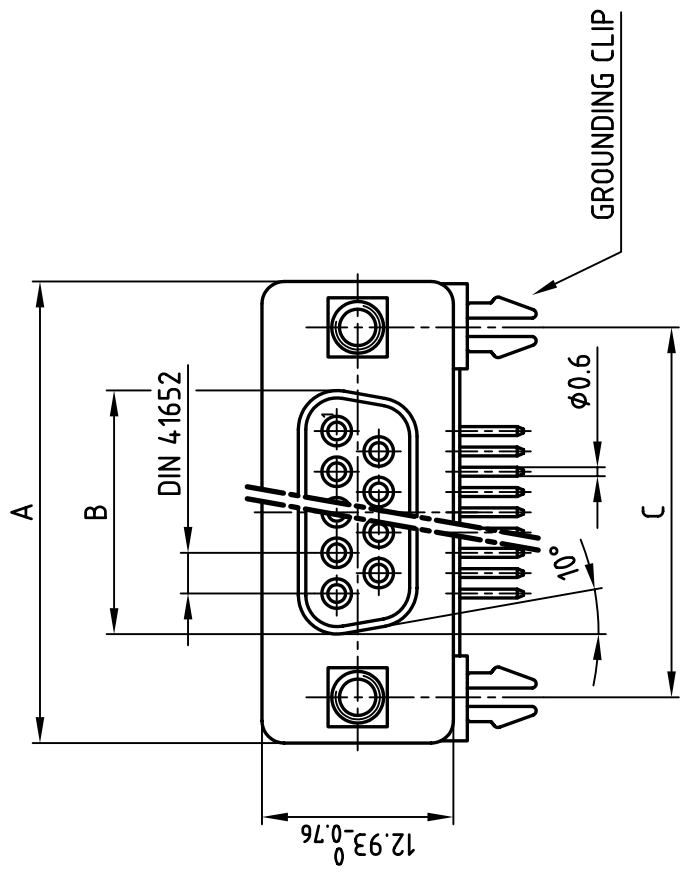


8 7 6 5 4 3 2 1

used for: D-SUB

POS.	A ^{-0.76}	B ^{-0.25}	C	PART NO.
9	31.19	16.46	25.00 ^{+0.12} _{-0.13}	164A12969X
15	39.52	24.79	33.30 ^{+0.15} _{-0.1}	164A12979X
25	53.42	38.50	47.04 ^{+0.13}	164A12989X
37	69.70	54.96	63.50 ^{+0.13}	164A12999X



NOTES:

1. METALSHELLS: STEEL; min. 320µ" TIN
2. INSULATORS: PBT GF UL 94 V-0; BLACK
3. CONTACTS: COPPER ALLOY
4. PLATING: min. 8µ" HARD GOLD OVER min. 50µ" NICKEL
5. MOUNTING BRACKET: PBT GF UL 94 V-0; BLACK
6. THREADED INSERT: COPPER ALLOY; min. 200µ" TIN over 80µ" NICKEL
7. GROUNDING-CLIP: COPPER ALLOY; min. 200µ" TIN over 80µ" NICKEL
PCB-HOLE: $\phi 3.1 \pm 0.1$; PCB THICKNESS 1.6mm
8. P.C.B. HOLE DRILLINGS ON DRAWING NO.: 16K111UA
9. MAXIMUM TORQUE VALUE FOR THREAD: 6" LBS
10. CONNECTOR IS PART MARKED: [PART-NO.] CONEC [ABC]



tolerance		scale: 2:1 (5:1)	
2001		material: SEE NOTES	
name	date	title:	
name	22.03.	D-SUB FEMALE 90°	
Parei	22.03.	0.370inch 9-37pos.	
E. Mickenbecker		threaded insert, mounting bracket, grounding clip	
DIN 41652		dwg no: AutoCAD 2000 DIN-A	
d-old		16K1A165A	
DO NOT ALTER CAD DRAWING BY HAND		part no: SEE TABLE	
OWNERSHIP AND COPYRIGHT OF CONEC GMBH		3	
WRITTEN PERMISSION		sh: 1/1	
BE PASSED ON TO A THIRD PARTY WITHOUT		1	
REPRODUCED IN ANY WAY, AND MAY NOT			
THIS DRAWING MAY NOT BE COPIED OR			

8 7 6 5 4 3 2 1